

Acue[®] PRO

FLEX 760_{IP}



User Manual

1. INTRODUCTION

Thank you for choosing the Acue Lighting Flex 760 IP. To use this product correctly and safely, please read the instructions carefully before installing and using this product. This manual contains important installation and operation information. Make sure to strictly follow the instructions when installing and operating this product. Retain this manual in a safe place for future reference.

The Flex 760 IP uses a high-temperature & moisture resistant Aluminum body giving it an IP rating of 65. IP65 is a classification given to devices that are dust, water, and moisture resistant. This product is designed and produced in strict accordance with CE standards and conforms to the international standard of DMX512 signal protocol. It can be controlled manually from the display or by DMX using the built in 3-pin IP65 rated XLR in/out connectors. This fixture has multiple DMX channel modes to choose from. It is suitable for various types of indoor or outdoor concerts, indoor/outdoor events, indoor/outdoor installations, and other like environments.

2. SAFETY INSTRUCTIONS

- Please keep this User Manual for future reference. All users of this fixture must read the user manual thoroughly.
- Unpack and check contents carefully to make sure there is no damage caused by shipping before using the unit.
- Before operating, ensure that the voltage and frequency of power supply match the power requirements of the unit.
- It's important to properly ground the fixture to avoid electric shock.
- The unit is designed for indoor or outdoor use. It is alright to leave outdoors in rain or sun but do not submerge in water or block ventilation fans. Do not point fixture directly into sunlight. Make sure main power connector is connected to an outlet that is not near water or moisture. Even though the fixture is IP65 rated, the main power connections are not.
- The unit must be installed in a location with adequate ventilation, at least 50cm from adjacent surfaces. Be sure that no ventilation slots are blocked.
- Disconnect main power before moving fixture.
- Make sure there are no flammable materials close to the unit while operating, as it is fire hazard.
- Use safety cable when mounting this unit.

- Do not connect this product to other dimmers.
- Maximum ambient operating temperature is 40°C. Do not operate if the temperature is higher than this.
- Unit surface temperature may reach up to 85°C. Do not touch the housing bare-handed during its operation. Turn off the power and allow about 15 minutes for the unit to cool down before replacing or serving.
- In the event of serious operating problem, stop using the unit immediately. Never try to repair the unit by yourself. Repairs carried out by unskilled individuals can lead to further damage or malfunction. Please contact the nearest authorized technical assistance center. Always use the same type of parts.

3. Maintenance and Installation

3.1 Maintenance

- To reduce the risk of electrical shock or fire, do not expose the power cable connector of this unit to rain or moisture.
- Intermittent usage will extend this fixtures service life.
- Please clear the fan, fan net, and optical lens of any dust or obstructions in order to keep the fixture in a proper working state.
- Do not use alcohol or any other organic solvent to wipe the shell.

3.2 Statement

All fixtures have been tested thoroughly before leaving the factory. In order to keep the product in good condition and ensure safe operation, users should follow the safety precautions and warnings in this manual.

Important: Damages caused by not following the guidelines in this user manual are not covered under warranty. The manufacturer is not responsible for product issues caused by misuse.

3.3 Safety Precaution

- In order to guarantee the product's life expectancy, do not store/use in environments over 60°C.
- Always mount this unit in a safe and stable manner. Mounting system must be able to withstand

10x that of the fixture's weight. A safety cable must always be used as a secondary source for securing the fixture.

- Installation of this fixture may only be carried out by skilled individuals.
- This product can be used in the voltage range of 90-240V and is an indoor/outdoor product. Please make sure that the power mains voltage used is not higher/or lower than what the product can withstand! The power plug must be inserted into a protected Class I socket and must be grounded properly.
- In order to make sure the product is used properly, please read this manual carefully.

3.4 Cable connection (DMX)

Make sure to use a DMX cable conforming to specifications EIA RS-485: 2-pole twisted, shielded, 120Ohm characteristic impedance, 22-24 AWG, Low capacity. Do not use microphone cable or other cable with characteristics differing from those specified. The end connections must be made using IP65-rated XLR type 3 pin male/female connectors. A terminating plug must be inserted into the last fixture with a resistance of 120 Ohm (minimum 1/4 W) between terminals 2 and 3.

IMPORTANT: The wires must not make contact with each other or with the metal casing of the connectors. The casing itself must be connected to the ground of the connector plugs.

4. Display Operation

Option	Details
Run mode	DMX
	Sound
	Auto2
	Auto1
Channel	30BCH/95CH/81CH/53CH/37CH/30ACH/24CH/15CH/58CH
Invert Pan	OFF
	ON
Invert Tilt	OFF
	ON
Encoder Crct	ON
	OFF
Signal keep	ON
	OFF

Screen saver	ON
	OFF
Invert Screen	Auto
	ON
Update salve	OFF
	ON
Language	EN
	中文
Screen Lock	OFF
	ON
Dimmer Speed	Fast
	Smooth
Dimmer Curve	Linear
	S-Shape
	I-Square
	Square
Frequency	10000Hz
	6000Hz
	3000Hz
	2500Hz
	2000Hz
	1500Hz
	1000Hz
Fan Mode	High
	Auto
	Low
Load Default	OK
	Cancel

5. DMX Channels

15CH Mode

15 CH	The channel name	The channel value	Channel function
1	X-Axis	0-255	0-540°
2	X-Axis Fine	0-255	0-2°
3	Y-Axis	0-255	0-270°
4	Y-Axis fine	0-255	0-1°
5	X/Y Speed	0-255	From fast to slow

6	Dimmer	0-255	With 0-100% dimming
7	Dimmer Fine	0-255	0-100% dimming fine
8	Shutter Strobe	0- 19	Shutter Closed
		20- 24	Shutter Open
		25- 69	Synced Flash
		70- 8 9	Fast opening and slow closing (from fast to slow)
		90- 109	Slow open fast off (from fast to slow)
		110-129	Random Flash
		130-149	Random open fast and slow off (from fast to slow)
		150-169	Random slow open fast off (from fast to slow)
		170-189	Pulse strobe (from fast to slow)
		190-209	Random pulse frequency strobe (from fast to slow)
		210-229	Bright and fade (from fast to slow)
		230-244	Pulse strobe 2 (from fast to slow)
245-255	Shutter Open		
9	Red	0-255	Red (from dark to bright)
10	Green	0-255	Green (from dark to bright)
11	Blue	0-255	Blue (from dark to bright)
12	White	0-255	White (from dark to bright)
13	Preset Colors	0-255	Preset Color (reference to Preset Color Table)
14	Zoom	0-255	Zoom from near to far
15	Lens Rotation	0-255	Lens rotation and Index

24CH Mode

24 CH	The channel name	The channel value	Channel function
1	X-Axis	0-255	0-540°
2	X-Axis Fine	0-255	0-2°
3	Y-Axis	0-255	0-270°
4	Y-Axis fine	0-255	0-1°
5	X/Y Speed	0-255	From fast to slow
6	CTO	0-255	8000K-2000K
7	Halo Ring Preset Colors	0-255	Halo Ring Color Selection (refer to color table)

8	Main LED Preset Colors	0-255	Main LED Color Selection (reference to color table)
9	Built-in Pattern	0-255	Built-in pattern
10	Built-in Effect	0-255	Built-in effect
11	Effect Speed	0-255	Effect speed
12	Effect Delay	0-255	Effect delay
13	Background Color	0-255	Background color (refer to the background color table)
14	Background Color Dimming	0-255	Background color dimming
15	Halo Ring Dimmer	0-255	Halo ring dimming
16	Main LED Dimmer	0-255	Main LED dimming
17	Halo Ring Shutter	0- 19	Shutter closed
		20- 24	Shutter open
		25- 69	Synced flash
		70- 8 9	Fast opening and slow closing (from fast to slow)
		90- 109	Slow open fast off (from fast to slow)
		110-129	Random flash
		130-149	Random open fast and slow off (from fast to slow)
		150-169	Random slow open fast off (from fast to slow)
		170-189	Pulse strobe (from fast to slow)
		190-209	Random pulse frequency strobe (from fast to slow)
		210-229	Bright and fade (from fast to slow)
		230-244	Pulse strobe 2 (from fast to slow)
		245-255	Shutter Open
18	Main LED Shutter	0- 19	Shutter Closed
		20- 24	Shutter Open
		25- 69	Synced flash
		70- 8 9	Fast opening and slow closing (from fast to slow)
		90- 109	Slow open fast off (from fast to slow)
		110-129	Random flash

		130-149	Random open fast and slow off (from fast to slow)
		150-169	Random slow open fast off (from fast to slow)
		170-189	Pulse strobe (from fast to slow)
		190-209	Random pulse frequency strobe (from fast to slow)
		210-229	Bright and fade (from fast to slow)
		230-244	Pulse strobe 2 (from fast to slow)
		245-255	Shutter Open
19	Zoom	0-255	Zoom from near to far
20	Color Macro	0-255	Built in Color Selection
21	Red	0-255	Red (from dark to bright)
22	Green	0-255	Green (from dark to bright)
23	Blue	0-255	Blue (from dark to bright)
24	White	0-255	White (from dark to bright)

30CH Mode A

30 CH	The channel name	The channel value	Channel function
1	X-Axis	0-255	0-540°
2	X-Axis Fine	0-255	0-2°
3	Y-Axis	0-255	0-270°
4	Y-Axis fine	0-255	0-1°
5	X/Y Speed	0-255	From fast to slow
6	CTO	0-255	8000K-2000K
7	Halo Ring Preset Colors	0-255	Halo Ring preset color (refer to color table)
8	Main LED Preset Colors	0-255	Main LED preset color (reference to color table)
9	Pattern	0-255	Built-in pattern (refer to the built-in pattern table)
10	LED Macro	0-255	Built-in effects (refer to the built-in effect tables)
11	LED Macro Speed	0-127	Forward speed goes from fast to slow
		128	Stop
		129-255	Reverse speed goes from slow to fast

12	LED Macro Delay	0-255	0-100% effect delay
13	Background Color	0-255	Background color (refer to the background color table)
14	Background Color Dimming	0-255	0-100% background color dimming
15	Halo Ring Dimmer	0-255	0-100% Halo Ring Dimmer
16	Halo Ring Dimmer Fine	0-255	0-100% Halo Ring Dimmer Fine
17	Main LED Dimmer	0-255	0-100% Main LED Dimmer
18	Main LED Dimmer Fine	0-255	0-100% Main LED Dimmer Fine
19	Halo Ring Shutter Strobe	0- 19	Shutter Closed
		20- 24	Shutter Open
		25- 69	Synced flash
		70- 8 9	Fast opening and slow closing (from fast to slow)
		90- 109	Slow open fast off (from fast to slow)
		110-129	Random flash
		130-149	Random open fast and slow off (from fast to slow)
		150-169	Random slow open fast off (from fast to slow)
		170-189	Pulse strobe (from fast to slow)
		190-209	Random pulse frequency strobe (from fast to slow)
		210-229	Bright and fade (from fast to slow)
		230-244	Pulse strobe 2 (from fast to slow)
		245-255	Shutter Open
20	Main LED Shutter Strobe	0- 19	Shutter Closed
		20- 24	Shutter Open
		25- 69	Synced flash
		70- 89	Fast opening and slow closing (from fast to slow)
		90- 109	Slow open fast off (from fast to slow)
		110-129	Random flash
		130-149	Random open fast and slow off (from fast to slow)

		150-169	Random slow open fast off (from fast to slow)
		170-189	Pulse strobe (from fast to slow)
		190-209	Random pulse frequency strobe (from fast to slow)
		210-229	Bright and fade (from fast to slow)
		230-244	Pulse strobe 2 (from fast to slow)
		245-255	Shutter Open
21	Zoom	0-255	Zoom from near to far
22	Control	0-255	Function (refer to preset menu)
23	Red	0-255	Red (from dark to bright)
24	Red Fine	0-255	Red Fine (from dark to bright)
25	Green	0-255	Green (from dark to bright)
26	Green Fine	0-255	Green Fine (from dark to bright)
27	Blue	0-255	Blue (from dark to bright)
28	Blue Fine	0-255	Blue Fine (from dark to bright)
29	White	0-255	White (from dark to bright)
30	White Fine	0-255	White Fine (from dark to bright)

30CH Mode B

30 CH	The channel name	The channel value	Channel function
1	Pan	0-255	0-540°
2	Pan fine	0-255	0-2°
3	Tilt	0-255	0-270°
4	Tilt fine	0-255	0-1°
5	X/Y Speed	0-255	From fast to slow
6	Zoom	0-255	Zoom from near to far
7	Rotation	0-255	Front lens rotations
8	Dimmer	0-255	Master Dimmer
9	Strobe	0-255	Master shutter
10	Red	0-255	Red (from dark to bright)
11	Green	0-255	Green (from dark to bright)

12	Blue	0-255	Blue (from dark to bright)
13	White	0-255	White (from dark to bright)
14	CTO	0-255	8000K-2000K
15	Macro Color	0-255	Built-in colors (refer to the built-in effect tables)
16	Static Effect	0-255	Built-in effects (refer to the built-in effect tables)
17	Shape	0-255	Built-in shapes (refer to the built-in effect tables)
18	Shape Speed	0-255	Shape speed from slow to fast
19	Background red	0-255	
20	Background green	0-255	
21	Background blue	0-255	
22	Background white	0-255	
23	Control	0-255	Function (refer to the preset menu)
24	Halo Ring Dimmer	0-255	
25	Halo Ring Strobe	0-255	
26	Halo Ring Red	0-255	
27	Halo Ring Green	0-255	
28	Halo Ring Blue	0-255	
29	Halo Ring Effect	0-255	
30	Halo Ring Effect Speed	0-255	

37CH Mode

37 CH	The channel name	The channel value	Channel function
1	X-Axis	0-255	0-540°
2	X-Axis Fine	0-255	0-2°
3	Y-Axis	0-255	0-270°
4	Y-Axis Fine	0-255	0-1°
5	X/Y Speed	0-255	From fast to slow

6	CTO	0-255	8000K-2000K
7	Halo Ring Preset Colors	0-255	Outer ring preset color (refer to color table)
8	Main LED Preset Colors	0-255	Central preset color (reference to color table)
9	Built-in Pattern	0-255	Built-in pattern (refer to the built-in pattern table)
10	Built-in Effect	0-255	Built-in effects (refer to built-in effect tables)
11	Effect speed	0- 127	Forward speed from fast to slow
		128	cease
		128-255	Reverse speed from slow to fast
12	Effect delay	0-255	0-100% effect delay
13	Background Color	0-255	Background color (refer to the background color table)
14	Background Color Dimming	0-255	0-100% background color dimming
15	Background Color Dimming Tuning	0-255	0-100% background color dimming tuning
16	Halo Ring Dimmer	0-255	0-100% Halo Ring Dimmer
17	Halo Ring Dimmer Fine	0-255	0-100% Halo Ring Dimmer Fine
18	Main LED Dimmer	0-255	0-100% Main LED Dimmer
19	Main LED Dimmer Fine	0-255	0-100% Main LED Dimmer Fine
20	Halo Ring Shutter Strobe	0- 19	Shutter Closed
		20- 24	Shutter Open
		25- 69	Synced flash
		70- 89	Fast opening and slow closing (from fast to slow)
		90- 109	Slow open fast off (from fast to slow)
		110-129	Random flash
		130-149	Random open fast and slow off (from fast to slow)
		150-169	Random slow open fast off (from fast to slow)
		170-189	Pulse strobe (from fast to slow)
		190-209	Random pulse frequency strobe (from fast to slow)
210-229	Bright and fade (from fast to slow)		

		230-244	Pulse strobe 2 (from fast to slow)
		245-255	Shutter Open
21	Main LED Shutter Strobe	0- 19	Shutter Closed
		20- 24	Shutter Open
		25- 69	Synced flash
		70- 89	Fast opening and slow closing (from fast to slow)
		90- 109	Slow open fast off (from fast to slow)
		110-129	Random flash
		130-149	Random open fast and slow off (from fast to slow)
		150-169	Random slow open fast off (from fast to slow)
		170-189	Pulse strobe (from fast to slow)
		190-209	Random pulse frequency strobe (from fast to slow)
		210-229	Bright and fade (from fast to slow)
		230-244	Pulse strobe 2 (from fast to slow)
		245-255	Shutter Open
22	Zoom	0-255	Zoom from near to far
23	Control	0-255	Function (refer to preset menu)
24	Halo Ring Red	0-255	Halo Red (from dark to bright)
25	Halo Ring Red Fine	0-255	Halo Red fine (from dark to bright)
26	Halo Ring Green	0-255	Halo Green (from dark to bright)
27	Halo Ring Green Fine	0-255	Halo Green fine (from dark to bright)
28	Halo Ring Blue	0-255	Halo Blue (from dark to bright)
29	Halo Ring Blue Fine	0-255	Halo Blue fine (from dark to bright)
30	Main LED Red	0-255	Main LED red (from dark to bright)
31	Main LED Red Fine	0-255	Main LED red fine (from dark to bright)
32	Main LED Green	0-255	Main LED green (from dark to bright)

33	Main LED Green Fine	0-255	Main LED green fine (from dark to bright)
34	Main LED Blue	0-255	Main LED blue (from dark to bright)
35	Main LED Blue Fine	0-255	Main LED blue fine (dark to bright)
36	Main LED White	0-255	Main LED white (from dark to bright)
37	Main LED White Fine	0-255	Main LED white fine (dark to bright)

53CH

53 CH	The channel name	The channel value	Channel function
1	X-Axis	0-255	0-540°
2	X-Axis Fine	0-255	0-2°
3	Y-Axis	0-255	0-270°
4	Y-Axis fine	0-255	0-1°
5	X/Y Speed	0-255	From fast to slow
6	CTO	0-255	8000K-2000K
7	Halo Ring Color Presets	0-255	Halo Ring preset color (refer to color table)
8	Main LED Color Presets	0-255	Main LED preset color (reference to color table)
9	Built-in Pattern	0-255	Built-in pattern (refer to the built-in pattern table)
10	Built-in Effect	0-255	Built-in effects (refer to built-in effect tables)
11	Effect Speed	0- 127	Forward speed goes from fast to slow
		128	cease
		129-255	Reverse speed goes from slow to fast
12	Effect Delay	0-255	0-100% effect delay
13	Background Color	0-255	Background color (refer to the background color table)
14	Background Color Dimming	0-255	0-100% background color dimming
15	Halo Ring Dimmer	0-255	0-100% outer ring dimming
16	Main LED Dimmer	0-255	0-100% center dimming
17	Halo Ring Shutter Strobe	0- 19	Shutter Closed
		20- 24	Shutter Open
		25- 69	Synced flash

		70- 89	Fast opening and slow closing (from fast to slow)
		90- 109	Slow open fast off (from fast to slow)
		110-129	Random flash
		130-149	Random open fast and slow off (from fast to slow)
		150-169	Random slow open fast off (from fast to slow)
		170-189	Pulse strobe (from fast to slow)
		190-209	Random pulse frequency strobe (from fast to slow)
		210-229	Bright and fade (from fast to slow)
		230-244	Pulse strobe 2 (from fast to slow)
		245-255	Shutter Open
18	Main LED Shutter Strobe	0- 19	Shutter Closed
		20- 24	Shutter Open
		25- 69	Synced flash
		70- 8 9	Fast opening and slow closing (from fast to slow)
		90- 109	Slow open fast off (from fast to slow)
		110-129	Random flash
		130-149	Random open fast and slow off (from fast to slow)
		150-169	Random slow open fast off (from fast to slow)
		170-189	Pulse strobe (from fast to slow)
		190-209	Random pulse frequency strobe (from fast to slow)
		210-229	Bright and fade (from fast to slow)
		230-244	Pulse strobe 2 (from fast to slow)
		245-255	Shutter Open
19	Zoom	0-255	Zoom from near to far
20	Control	0-255	Function (refer to preset menu)
21	Red	0-255	Red (from dark to bright)

22	Green	0-255	Green (from dark to bright)
23	Blue	0-255	Blue (from dark to bright)
24	White	0-255	White (from dark to bright)
25	R1 LED Dimming	0-255	R1 LED Dimming
26	G1 LED Dimming	0-255	G1 LED Dimming
27	B1 LED Dimming	0-255	B1 LED Dimming
28	R 2 LED Dimming	0-255	R 2 LED Dimming
29	G 2 LED Dimming	0-255	G 2 LED Dimming
30	B 2 LED Dimming	0-255	B 2 LED Dimming
...	0-255	
43	R 7 LED Dimming	0-255	R 7 LED Dimming
44	G 7 LED Dimming	0-255	G 7 LED Dimming
45	B 7 LED Dimming	0-255	B 7 LED Dimming
46	Main LED Red	0-255	Main LED red (from dark to bright)
47	Main LED Red Fine	0-255	Main LED red fine (dark to bright)
48	Main LED Green	0-255	Main LED green (from dark to bright)
49	Main LED Green Fine	0-255	Main LED green fine (from dark to bright)
50	Main LED Blue	0-255	Main LED blue (from dark to bright)
51	Main LED Blue Fine	0-255	Main LED blue fine (dark to bright)
52	Main LED White	0-255	Main LED white (from dark to bright)
53	Main LED White Fine	0-255	Main LED white fine (dark to bright)

81CH

81 CH	The channel name	The channel value	Channel function
1	X-Axis	0-255	0-540°
2	X-Axis Fine	0-255	0-2°
3	Y-Axis	0-255	0-270°
4	Y-Axis fine	0-255	0-1°
5	X/Y Speed	0-255	From fast to slow
6	CTO	0-255	8000K-2000K
7	Halo Ring Color Presets	0-255	Halo ring preset color (refer to color table)
8	Main LED Color Presets	0-255	Main LED preset color (reference to color table)

9	Built-in Pattern	0-255	Built-in pattern (refer to the built-in pattern table)
10	Built-in Effect	0-255	Built-in effects (refer to built-in effect tables)
11	Effect Speed	0- 127	Forward speed goes from fast to slow
		0	Stop
		128-255	Reverse speed goes from slow to fast
12	Effect Delay	0-255	0-100% effect delay
13	Background Color	0-255	Background color (refer to the background color table)
14	Background Color Dimming	0-255	0-100% background color dimming
15	Background color Dimming Fine	0-255	0-100% background color dimming tuning
16	Halo Ring Dimmer	0-255	0-100% outer ring dimming
17	Halo Ring Dimmer Fine	0-255	0-100% outer ring dimming
18	Main LED Dimmer	0-255	0-100% center dimming
19	Main LED Dimmer Fine	0-255	0-100% center dimming
20	Halo Ring Shutter Strobe	0- 19	Shutter Closed
		20- 24	Shutter Open
		25- 69	Synced flash
		70- 8 9	Fast opening and slow closing (from fast to slow)
		90- 109	Slow open fast off (from fast to slow)
		110-129	Random flash
		130-149	Random open fast and slow off (from fast to slow)
		150-169	Random slow open fast off (from fast to slow)
		170-189	Pulse strobe (from fast to slow)
		190-209	Random pulse frequency strobe (from fast to slow)
		210-229	Bright and fade (from fast to slow)
		230-244	Pulse strobe 2 (from fast to slow)
245-255	Shutter Open		
21		0- 19	Shutter closed

		20- 24	Shutter Open
		25- 69	Synced flash
		70- 89	Fast opening and slow closing (from fast to slow)
		90- 109	Slow open fast off (from fast to slow)
		110-129	Random flash
		130-149	Random open fast and slow off (from fast to slow)
	Main LED Shutter Strobe	150-169	Random slow open fast off (from fast to slow)
		170-189	Pulse strobe (from fast to slow)
		190-209	Random pulse frequency strobe (from fast to slow)
		210-229	Bright and fade (from fast to slow)
		230-244	Pulse strobe 2 (from fast to slow)
		245-255	Shutter Open
22	Zoom	245-255	Zoom from near to far
23	Control	0-255	Function (refer to the preset menu)
24	Red	0-255	Red (from dark to bright)
25	Red Fine	0-255	Red fine (from dark to bright)
26	Green	0-255	Green (from dark to bright)
27	Green Fine	0-255	Green fine (from dark to bright)
28	Blue	0-255	Blue (from dark to bright)
29	Blue Fine	0-255	Blue fine (dark to bright)
30	White	0-255	White (from dark to bright)
31	White Fine	0-255	White fine (from dark to bright)
32	R1 LED Dimmer	0-255	R1 LED Dimming (from dark to bright)
33	R1 LED Dimmer Fine	0-255	R1 LED Dimming fine tuning (from dark to bright)
34	G1 LED Dimmer	0-255	G1 LED Dimming (from dark to bright)
35	G1 LED Dimmer Fine	0-255	G1 LED Dimming fine tuning (from dark to bright)
36	B1 LED Dimmer	0-255	B1 LED Dimming (from dark to bright)

37	B1 LED Dimmer Fine	0-255	B1 LED Dimming fine tuning (from dark to bright)
38	R 2 LED Dimmer	0-255	R 2 LED Dimming (from dark to bright)
39	R 2 LED Dimmer Fine	0-255	R 2 LED Dimming fine tuning (from dark to bright)
40	G 2 LED Dimmer	0-255	G 2 LED Dimming (from dark to bright)
41	G2 LED Dimmer Fine	0-255	G2 LED Dimming fine tuning (from dark to bright)
42	B 2 LED Dimmer	0-255	B 2 LED Dimming (from dark to bright)
43	B2 LED Dimmer Fine	0-255	B2 LED Dimming fine tuning (from dark to bright)
...	0-255	
68	R 7 LED Dimmer	0-255	R 7 LED Dimming (from dark to bright)
69	R7 LED Dimmer Fine	0-255	R 7 LED Dimming fine tuning (from dark to bright)
70	G 7 LED Dimmer	0-255	G 7 LED Dimming (from dark to bright)
71	G7 LED Dimmer Fine	0-255	G7 LED Dimming fine tuning (from dark to bright)
72	B 7 LED Dimmer	0-255	B 7 LED Dimming (from dark to bright)
73	B7 LED Dimmer Fine	0-255	B7 LED Dimming fine tuning (from dark to bright)
74	Main LED Red	0-255	Main LED red (from dark to bright)
75	Main LED Red Fine	0-255	Main LED red fine (from dark to bright)
76	Main LED Green	0-255	Main LED green (from dark to bright)
77	Main LED Green Fine	0-255	Main LED green fine (from dark to bright)
78	Main LED Blue	0-255	Main LED blue (from dark to bright)
79	Main LED Blue Fine	0-255	Main LED blue fine (dark to bright)
80	Main LED White	0-255	Main LED white (from dark to bright)
81	Main LED White Fine	0-255	Main LED white Fine (dark to bright)

95CH

95 CH	The channel name	The channel value	Channel function
1	X-Axis	0-255	0-540°
2	X-Axis Fine	0-255	0-2°
3	Y-Axis	0-255	0-270°
4	Y-Axis fine	0-255	0-1°
5	X/Y Speed	0-255	From fast to slow
6	CTO	0-255	8000K-2000K
7	Halo Ring Color Presets	0-255	Halo ring preset color (refer to color table)
8	Main LED Color Presets	0-255	Main LED preset color (reference to color table)
9	Built-in Pattern	0-255	Built-in pattern (refer to the built-in pattern table)
10	Built-in Effect	0-255	Built-in effects (refer to built-in effect tables)
11	Effect Speed	0- 127	Forward speed goes from fast to slow
		128	cease
		129-255	Reverse speed goes from slow to fast
12	Effect Delay	0-255	0-100% effect delay
13	Background Color	0-255	Background color (refer to the background color table)
14	Background Color Dimmer	0-255	0-100% background color dimming
15	Background Color Dimmer Fine	0-255	0-100% background color dimming tuning
16	Halo Ring Dimmer	0-255	0-100% Halo ring dimming
17	Main LED Dimmer	0-255	0-100% Main LED dimming
18	Halo Ring Shutter Strobe	0- 19	Shutter Closed
		20- 24	Shutter Open
		25- 69	Synced flash
		70- 8 9	Fast opening and slow closing (from fast to slow)
		90- 109	Slow open fast off (from fast to slow)
		110-129	Random flash
		130-149	Random open fast and slow off (from fast to slow)


		150-169	Random slow open fast off (from fast to slow)
		170-189	Pulse strobe (from fast to slow)
		190-209	Random pulse frequency strobe (from fast to slow)
		210-229	Bright and fade (from fast to slow)
		230-244	Pulse strobe 2 (from fast to slow)
		245-255	Shutter Open
19	Main LED Shutter Strobe	0- 19	Shutter Closed
		20- 24	Shutter Open
		25- 69	Synced flash
		70- 8 9	Fast opening and slow closing (from fast to slow)
		90- 109	Slow open fast off (from fast to slow)
		110-129	Random flash
		130-149	Random open fast and slow off (from fast to slow)
		150-169	Random slow open fast off (from fast to slow)
		170-189	Pulse strobe (from fast to slow)
		190-209	Random pulse frequency strobe (from fast to slow)
		210-229	Bright and fade (from fast to slow)
		230-244	Pulse strobe 2 (from fast to slow)
		245-255	Shutter Open
20	Zoom	0-255	Zoom from near to far
21	Control	0-255	Function (refer to the preset menu)
22	Red	0-255	Red (from dark to bright)
23	Red Fine	0-255	Red fine (from dark to bright)
24	Green	0-255	Green (from dark to bright)
25	Green Fine	0-255	Green Fine (from dark to bright)
26	Blue	0-255	Blue (from dark to bright)
27	Blue Fine	0-255	Blue Fine (from dark to bright)
28	White	0-255	White (from dark to bright)

29	White Fine	0-255	White Fine (from dark to bright)
30	LED1 dimming	0-255	0-100%LED1 dimming
31	LED1, dimming and fine-tuning	0-255	0-100%LED1 dimming fine-tuning
32	R1 LED Dimming	0-255	R1 LED Dimming
33	R1 LED Dimming fine tuning	0-255	R1 LED Dimming fine tuning
34	G1 LED Dimming	0-255	G1 LED Dimming
35	G1 LED Dimming fine tuning	0-255	G1 LED Dimming fine tuning
36	B1 LED Dimming	0-255	B1 LED Dimming
37	B1 LED Dimming fine tuning	0-255	B1 LED Dimming fine tuning
38	LED2 dimming	0-255	0-100%LED2 dimming
39	LED2, dimming and fine-tuning	0-255	0-100%LED2 dimming fine-tuning
40	R 2 LED Dimming	0-255	R 2 LED Dimming
41	R 2 LED Dimming fine tuning	0-255	R 2 LED Dimming fine tuning
42	G 2 LED Dimming	0-255	G 2 LED Dimming
43	G2 LED Dimming fine tuning	0-255	G 2 LED Dimming fine tuning
44	B 2 LED Dimming	0-255	B 2 LED Dimming
45	B2 LED Dimming fine tuning	0-255	B 2 LED Dimming fine tuning
...	0-255	
78	LED7 dimming	0-255	0-100%LED7 dimming
79	LED7, dimming and fine-tuning	0-255	0-100%LED7 dimming fine-tuning
80	R 7 LED Dimming	0-255	R 7 LED Dimming
81	R7 LED Dimming fine tuning	0-255	R 7 LED Dimming fine tuning
82	G 7 LED Dimming	0-255	G 7 LED Dimming
83	G7 LED Dimming fine tuning	0-255	G 7 LED Dimming fine tuning
84	B 7 LED Dimming	0-255	B 7 LED Dimming
85	B7 LED Dimming fine tuning	0-255	G 7 LED Dimming fine tuning
86	Center dimming	0-255	0-100%LED7 central dimming
87	Central dimming fine-tuning	0-255	0-100%LED7 center dimming fine-tuning

88	Center red	0-255	Center red (from dark to bright)
89	Central red fine-tuned	0-255	Central red trim (from dark to bright)
90	Center green	0-255	Center green (from dark to bright)
91	Center green fine-tuning	0-255	Central green trim (from dark to bright)
92	Center blue	0-255	Center blue (from dark to bright)
93	Central blue fine-tuning	0-255	Center blue trim (dark to bright)
94	Center white	0-255	Center white (from dark to bright)
95	Central white fine-tuned	0-255	Center white trim (dark to bright)

58CH Mode

58 CH	The channel name	The channel value	Channel function
1	X axle	0-255	0-540 degrees
2	X axis fine-tuning	0-255	The 16th bit is adjustable
3	Y axle	0-255	0-205 degrees
4	Y axis fine-tuning	0-255	The 16th bit is adjustable
5	XY velocity	0-255	Speed from fast to slow
6	Zoom	0-255	Zoom from near to far
7	Lens Rotation	0-255	Lens rotation and Index
8	Master Dimmer	0-255	Linear dimming, from dark to bright
9	Shutter Strobe	0- 19	Shutter Closed
		20- 24	Shutter Open
		25- 69	Synced flash
		70- 89	Fast opening and slow closing (from fast to slow)
		90- 109	Slow open fast off (from fast to slow)
		110-129	Random flash
		130-149	Random open fast and slow off (from fast to slow)
		150-169	Random slow open fast off (from fast to slow)
		170-189	Pulse strobe (from fast to slow)

		190-209	Random pulse frequency strobe (from fast to slow)
		210-229	Bright and fade (from fast to slow)
		230-244	Pulse strobe 2 (from fast to slow)
		245-255	Shutter Open
10	Red	0-255	Linear dimming, from dark to bright
11	Green	0-255	Linear dimming, from dark to bright
12	Blue	0-255	Linear dimming, from dark to bright
13	White	0-255	Linear dimming, from dark to bright
14	Cto	0-255	8000K-2000K
15	Built-In Color Selections	0-255	Color macro function
16	Static effect	0-255	Built in Shape (every 5 new)
17	Dynamic effect	0-255	Built in Shape (every 5 new)
18	Effect speed 	0- 127	Forward speed goes from fast to slow
		128	Stop
		129-255	Reverse speed goes from slow to fast
19	Background Color R	0-255	Linear dimmer from dark to bright
20	Background Color G	0-255	Linear dimmer from dark to bright
21	Background Color B	0-255	Linear dimmer from dark to bright
22	Background Color W	0-255	Linear dimmer from dark to bright
23	Control	0-255	Function (refer to the preset menu)
24	Halo Ring Dimmer	0-255	0-100% Liner Dimming
25	Halo Ring Shutter Strobe	0-19	Shutter Closed
		20-24	Shutter Open
		25-69	Synced flash
		70-89	Fast opening and slow closing (from fast to slow)
		90-109	Slow open fast off (from fast to slow)

		110-129	Random flash
		130-149	Random open fast and slow off (from fast to slow)
		50-169	Random slow open fast off (from fast to slow)
		170-189	Pulse strobe (from fast to slow)
		190-209	Random pulse frequency strobe (from fast to slow)
		210-229	Bright and fade (from fast to slow)
		230-244	Pulse strobe 2 (from fast to slow)
		245-255	opening the light
26	Halo Ring Red	0-255	Light with red (from dark to bright)
27	Halo Ring Green	0-255	Light with green (dark to bright)
28	Halo Ring Blue	0-255	Light band is blue (from dark to bright)
29	Halo Ring Effect	0-255	
30	Halo Ring Effect Speed	0- 127	Forward speed goes from fast to slow
		128	Stop
		129-255	Reverse speed goes from slow to fast
31	R1 LED Dimming	245-255	R1 LED Dimming
32	G1 LED Dimming	0-255	G1 LED Dimming
33	B1 LED Dimming	0-255	B1 LED Dimming
34	W1 LED Dimming	0-255	W1 LED Dimming
...
...
55	R7 LED Dimming	0-255	R7 LED Dimming
56	G7 LED Dimming	0-255	G7 LED Dimming
57	B7 LED Dimming	0-255	B7 LED Dimming
58	W7 LED Dimming	0-255	W7 LED Dimming

6. Technical Specifications

Power: AC 100-240V, 50-60Hz

Maximum Power Draw: 500W

Main LED Light Source: 7X60W 4-in-1 LEDs

Halo Ring LED Light Source: 56X0.2W 5050RGB LEDs

LED Lifespan: 50,000 Hr

Zoom Range: 4.5°- 45°

Operating Modes: DMX512/master-slave/auto

Channel Mode: 15CH/24CH/30CH A+B /37CH/53CH/58CH/81CH/95CH

Pan Axis (X): 540°

Tilt Axis (Y): 270°

Cooling: Temperature controlled fan cooling, overheat protection

Waterproof Grade: IP65

Body Material: Die Cast Magnesium Alloy

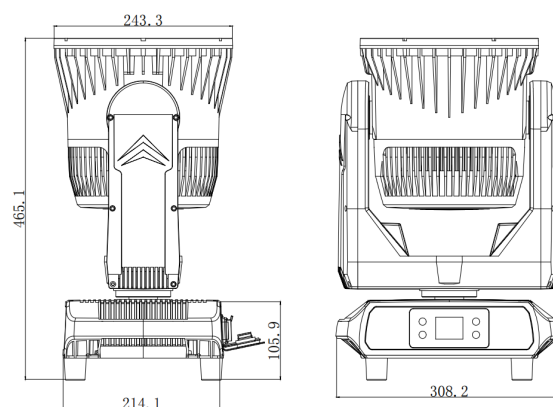
DMX IN/Out: Waterproof XLR 3-pin input/output

Power Input: Powercon True1 Waterproof input/output

Dimensions: L 12.1" x W 8.4" x H 18.3" (in) L308*W214*H465(mm)

Net Weight: 26.9 lb / 12.2kg

7. Size



8. Warranty

This product carries a 1-year manufacturer's warranty which covers factory defects or internal issues not caused by the owner/operator of the fixture. Misuse, physical damage, or any other issues caused by misuse by the customer are not covered under manufacturer's warranty. All warranty claims must be handled directly through the manufacturer and not the dealer. Original sales receipt required for all warranty claims. Submit all claims to Info@Acuelighting.com.

For more information about this product as well as all our other products please visit:

www.AcueLighting.com

Or contact us directly:

Email: Info@AcueLighting.com

Phone: (818) 646-7526/ (818) 672-6822