

Acue[®]Lighting

PROFESSIONAL STAGE LIGHTING

Follow Spot 400



USER MANUAL

1. INTRODUCTION

Thank you for choosing the Acue Lighting Follow Spot 400 LED. To use this product correctly and safely, please read the instructions carefully before installing and using this product. This manual contains important installation and operation information. Make sure to strictly follow the instructions when installing and operating this product. Retain this manual in a safe place for future reference.

The Follow Spot 400 uses a high-temperature resistant metal body. This product is designed and produced in strict accordance with CE standards and conforms to the international standard of DMX512 signal protocol. It can be controlled manually from the control board or by DMX using the built in 3 pin XLR in/out connectors. It is suitable for various types of concerts, theaters, studios, nightclubs, bars and other like environments.

2. SAFETY INSTRUCTIONS

- Please keep this User Manual for future reference. All users of this fixture must read the user manual thoroughly.
- Unpack and check contents carefully to make sure there is no damage caused by shipping before using the unit.
- Before operating, ensure that the voltage and frequency of power supply match

the power requirements of the unit.

- It's important to properly ground the fixture to avoid electric shock.
- The unit is for indoor use only. Use only in a dry location.
- The unit must be installed in a location with adequate ventilation, at least 50cm from adjacent surfaces. Be sure that no ventilation slots are blocked.
- Disconnect main power input before moving fixture.
- Make sure there are no flammable materials close to the unit while operating as it is fire hazard.
- Maximum ambient operating temperature is: 40°C. Do not operate if the temperature is higher than this.
- Unit surface temperature may reach up to 85°C. Do not touch the housing bare-handed during its operation. Turn off the power and allow about 15 minutes for the unit to cool down before replacing or serving.
- In the event of serious operating problem, stop using the unit immediately. Never try to repair the unit by yourself. Repairs carried out by unauthorized individuals can lead to further damage or malfunction. Please contact the nearest authorized technical assistance center.

3. Maintenance and Installation

3.1 Maintenance

- To reduce the risk of electrical shock or fire, do not expose this unit to rain or moisture.
- Intermittent usage will extend this fixtures service life.
- Please clear the fan, fan net, and optical lens of any dust or obstructions to keep the fixture in a proper working state.
- Do not use alcohol or any other organic solvent to wipe the shell.

3.2 Statement

All fixtures have been tested thoroughly before leaving the factory. To keep the product in good operating condition and ensure safe usage, users should follow the safety precautions and warnings in this manual.

Important: Damages caused by not following the guidelines in this user manual are not covered under warranty. The manufacturer is not responsible for product issues caused by misuse.

3.3 Safety Precautions

- In order to guarantee the product's life expectancy, do not store or use in damp places or environments over 60°C.
- Always use this unit in a safe and stable location. Mounting platform must be able to withstand 10x the weight of the fixture and operator.

- This product can be used in the voltage range of 90-240V and is an indoor product. Please make sure that the power mains voltage used is not higher/or lower than what the product can withstand! The power plug must be inserted into a protected Class I socket and must be grounded properly.
- To make sure the product is used properly, please read this manual carefully.

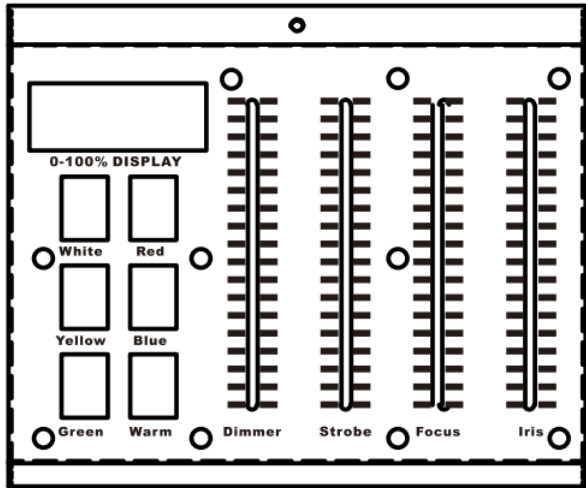
3.4 Cable Connection (DMX)

Make sure to use a cable conforming to specifications EIA RS-485: 2-pole twisted, shielded, 120Ohm characteristic impedance, 22-24 AWG. Do not use microphone cable or other cable with characteristics differing from those specified. The connections must be made using XLR type 3 or 5 pin male/female connectors. A terminating plug must be inserted into the last fixture with a resistance of 120 Ohm (minimum 1/4 W) between terminals 2 and 3.

IMPORTANT: The wires must not make contact with each other or with the metal casing of the connectors. The casing itself must be connected to the ground of the connector plugs.

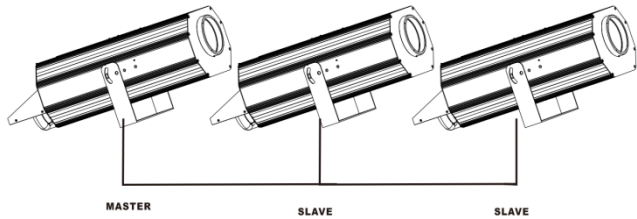
4. Control

Control functions in the control panel



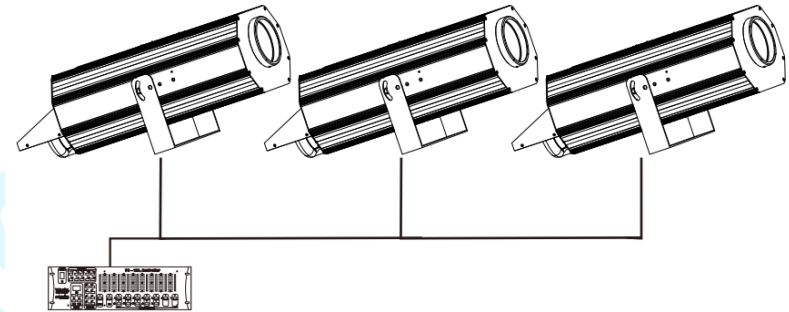
4.1 Master-Slave Mode:

Whichever fixture is turned on first will automatically be the master.

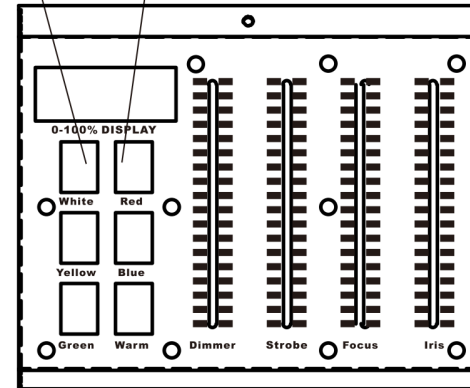


4.2 DMX Mode:

Once a DMX cable is plugged into the DMX input the fixture will automatically go into DMX mode (when DMX signal is present).



+dmx addr -dmx addr



5. DMX Channels

Channel	Range	Function
CH1	0-255	Master Dimmer
CH2	0-255	Shutter
CH3	0-255	Color Temp
CH4	0-255	Focus
CH5	0-255	Iris

6. Technical Specifications

- **Voltage:** AC100-240V, 50Hz/60Hz
- **Light Source:** 400W LED
- **Max Power Draw:** 430 w
- **Beam Angle:** Adjustable from 3° to 15°
- **Max Projection Distance:** 40-50 m
- **Color Temperature:** 6500K, 5600K, 4500K, 3200K, 2700K + open.
- **Control Methods:** Manual Built-In Control Board & DMX Control
- **Cooling:** Convection cooling-fan with optimized internal air duct design
- **IP Rating:** IP19 (Indoor or dry location use only)
- **Fixture size:** 23.8" × 9.65" × 8.85" (LxWxH)
- **Net Weight:** 10.5kg (23.15 lb)
- **Flightcase size:** 30.7" x 13.79" x 16.5" (LxWxH)
- **Flightcase weight:** 12.5kg (27.5 lb)
- **Total Package Weight:** 23kg (50.7 lb)

7. Warranty

This product carries a 1-year manufacturer's warranty which covers factory defects or internal issues not caused by the owner/operator of the fixture. Misuse, physical damage, water damage, or any other issues caused by misuse by the customer are not covered under manufacturer's warranty. All warranty claims must be handled directly through the manufacturer and not the dealer. Original sales receipt required for all warranty claims. Submit all claims to Info@Acuelighting.com.

For more information about this product as well as all our other products

please visit: www.AcueLighting.com Or contact us by

Email: Info@AcueLighting.com Phone: (818) 646-7526/ (818) 672-6822