

IP1 /US

Fitting Note

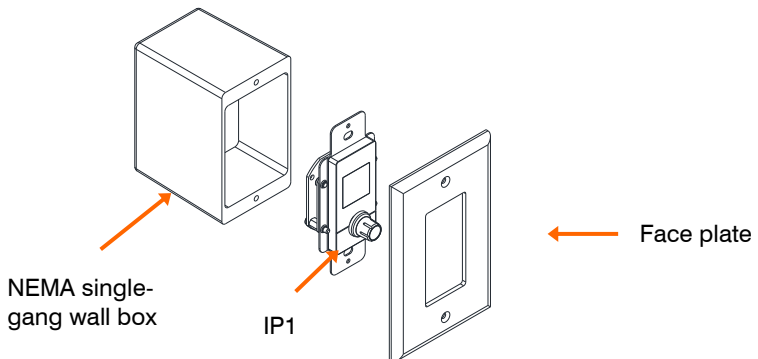
The IP1 is part of the Allen & Heath IP series of remote controllers.

① dLive requires firmware V1.60 or higher to work with IP1.

⚠ This product must be installed by a professional installer or qualified electrician.

Mounting the Remote Controller

This model fits standard US single-gang electrical boxes (NEMA WD-6 standard) with a minimal depth of 25mm. It accepts Leviton Decora and compatible face plates. Refer to the instructions of the face plate and/or wall box for screw specification and mounting.



Connection and configuration

The IP1 provides a Fast Ethernet, PoE compliant network port for connection to the mixing system.

① The maximum cable length is 100m. Use STP (shielded twisted pair) CAT5 or higher cables.

The factory default network settings are as follows:

Unit Name IP1
DHCP Off
IP Address 192.168.1.74

Subnet Mask 255.255.255.0
Gateway 192.168.1.254

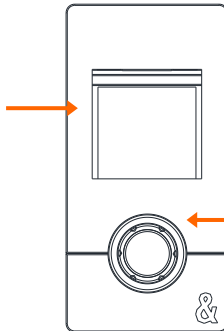
When connecting multiple IP Remote Controllers to the same network, ensure each unit is set to a unique Name and IP Address beforehand.

i A jumper link on the main PCB board lets you reset the network settings to factory default. To reset, short the link for 10s whilst applying power to the unit.

i Refer to the IP1 Getting Started Guide available for download at www.allen-heath.com for more information on IP1 connections, settings and programming.

Front panel

LCD Display
Colour display providing information on the selected channel or output mix. It can also display a Source or Scene list when the rotary is pressed if such function is assigned to the IP1.



Rotary Encoder

Assignable dual function rotary control. Push and turn to control its second function (momentary e.g. Pan) or push to enter Source Select or Scene Select function.

Available functions include Input Level, Mix Level, DCA Level, Aux Send Level, FX Send Level, Matrix Send Level, Source Selector (Level + Source), Pan, Scene Select.

Technical specs

Network	Fast Ethernet 100Mbps
PoE	802.3af
Max power consumption	2.5W
Operating Temperature Range	0 deg C to 35 deg C (32 deg F to 95 deg F)

Read the Safety Instructions Sheet included with the product before operating.

A limited one year manufacturer's warranty applies to this product, the conditions of which can be found at: www.allen-heath.com/legal

By using this Allen & Heath product and the software within it you agree to be bound by the terms of the relevant End User Licence Agreement (EULA), a copy of which can be found at: www.allen-heath.com/legal

Register your product with Allen & Heath online at: <http://www.allen-heath.com/support/register-product/>

Check the Allen & Heath website for the latest documentation and software updates.

ALLEN & HEATH

Copyright © 2021 Allen & Heath. All rights reserved