

# TT 515-A

## PROFESSIONAL ACTIVE SPEAKER

### DESCRIPTION

Flexibility, power, and compactness make the TT 515-A ideal for installed and portable professional applications where size and weight are critical factors. This approach combines the advantages of TT+ technology such as controlled dispersion, outstanding clarity and extreme power, multiple flexible rigging accessories, weatherproof protection, and RDNET real-time monitoring and management software with recallable presets. Its transducer configuration pairs two custom-loaded 5-inch cone drivers to a rotatable CMD waveguide surrounding a titanium 1.75-inch high-frequency compression driver. Whether it's used as a compact main system, as fills, or surrounds in a larger system, TT 515-A is quick to deploy and fast to tune.



### FEATURES

- 127 dB max SPL
- 100° x 70° coverage
- LF 2 x 5" neodymium woofer, 2" voice coil
- HF 1.75" titanium comp. driver
- 2 x Class-D amplifiers, 1000 Watts RMS total power
- 70 - 20.000 Hz frequency range
- RDNet on board
- FiRPHASE and Bass Motion Control

## TECHNICAL SPECIFICATIONS

<b>Acoustical specifications</b>	Frequency Response:	70 Hz ÷ 20000 Hz
	Max SPL @ 1m:	127 dB
	Horizontal coverage angle:	100°
	Vertical coverage angle:	70°
<b>Transducers</b>	Compression Driver:	1 x 1.0" neo, 1.75" v.c
	Woofers:	2 x 5.0" neo, 2.0" v.c
<b>Input/Output section</b>	Input signal:	bal/unbal
	Input connectors:	XLR, RDNet Ethercon
	Output connectors:	XLR, RDNet Ethercon
	Input sensitivity:	-2 dBu/+4 dBu
<b>Processor section</b>	Crossover Frequencies:	1200
	Protections:	Excurs.
	Limiter:	Fast Limiter
	Controls:	Bypass, Linear/High Pass, Volume, RDnet on board
	RDNet:	Yes
<b>Power section</b>	Total Power:	2000 W Peak, 1000 W RMS
	High frequencies:	600 W Peak, 300 W RMS
	Low frequencies:	1400 W Peak, 700 W RMS
	Cooling:	Convection
	Connections:	Powercon IN/OUT
<b>Standard compliance</b>	CE marking:	Yes
<b>Physical specifications</b>	Cabinet/Case Material:	Baltic birch plywood
	Hardware:	2X M10 TOP AND BOTTOM 2X PIN D.10
	Handles:	2 TOP AND BOTTOM
	Grille:	Steel
	Color:	Black
<b>Size</b>	Height:	456 mm / 17.95 inches
	Width:	154 mm / 6.06 inches
	Depth:	237.5 mm / 9.35 inches
	Weight:	9.8 kg / 21.61 lbs
<b>Shipping informations</b>	Package Height:	510 mm / 20.08 inches
	Package Width:	290 mm / 11.42 inches
	Package Depth:	200 mm / 7.87 inches
	Package Weight:	11.3 kg / 24.91 lbs



**PART NUMBER**

• **13000719**

TT 515-A

115V

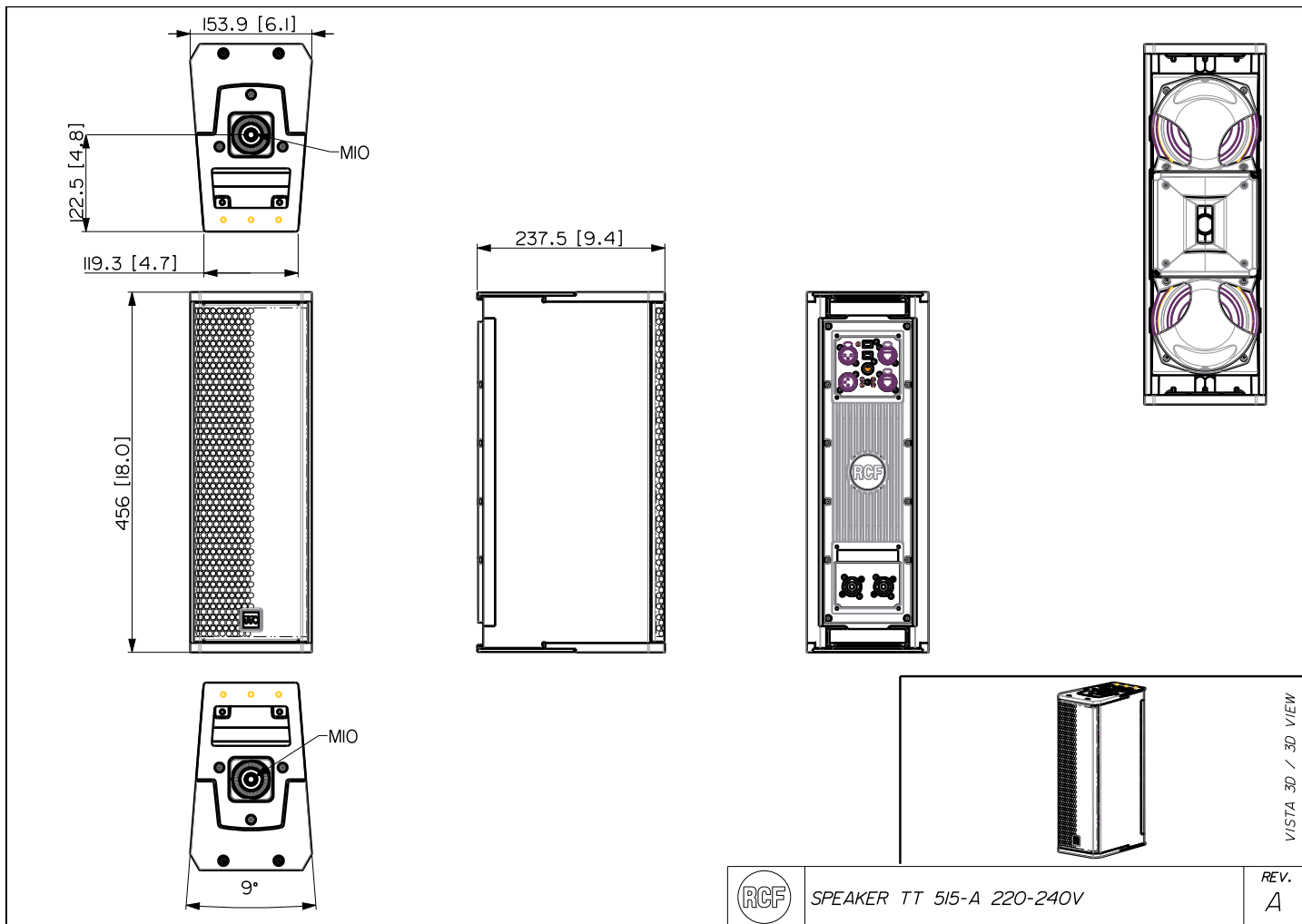
EAN 8024530019594

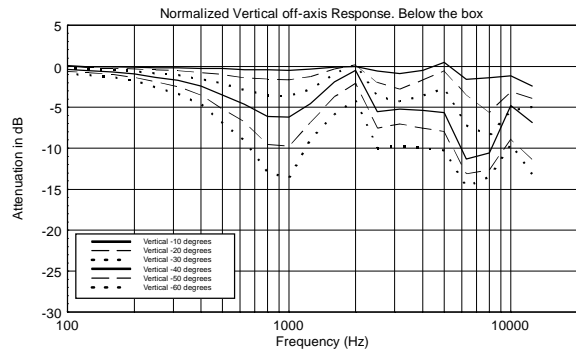
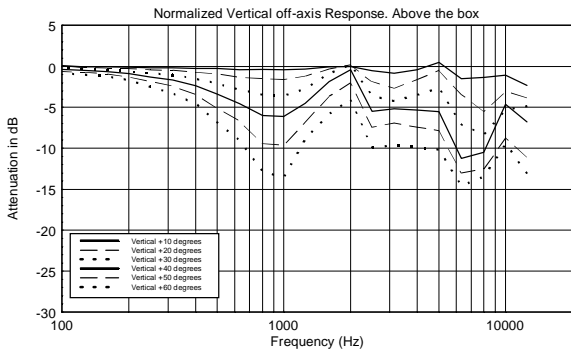
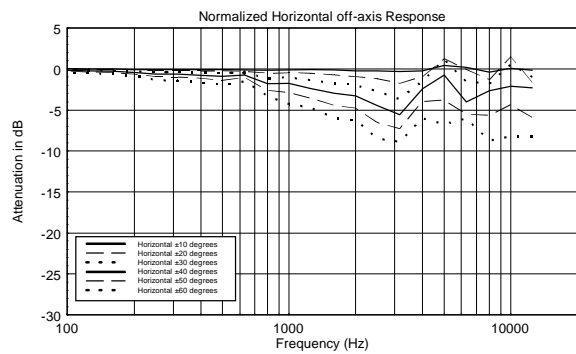
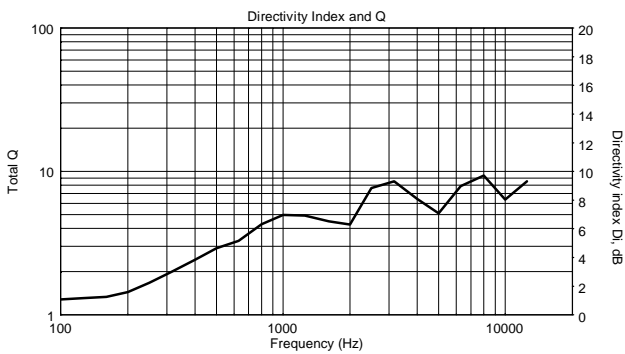
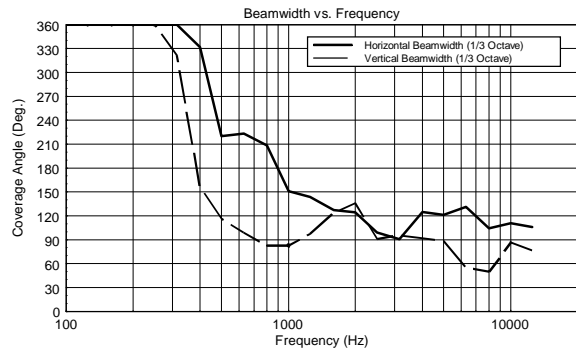
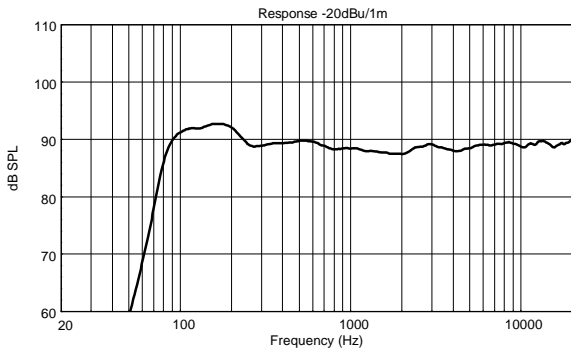
• **13000686**

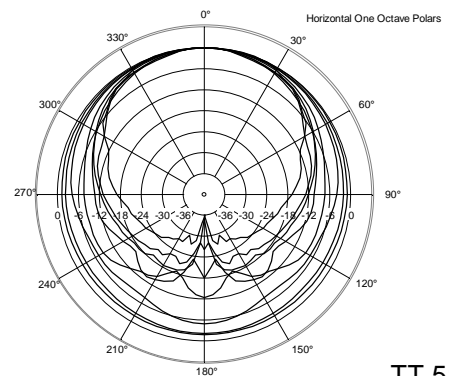
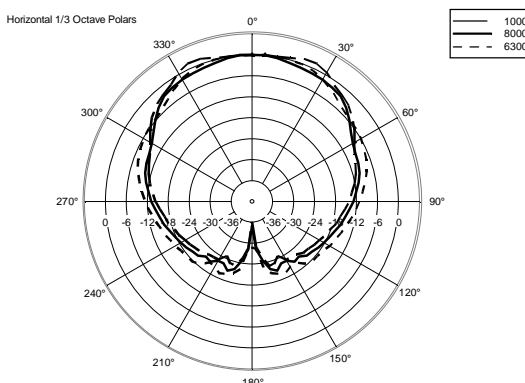
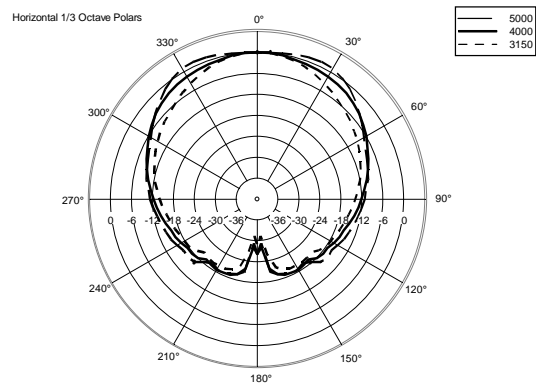
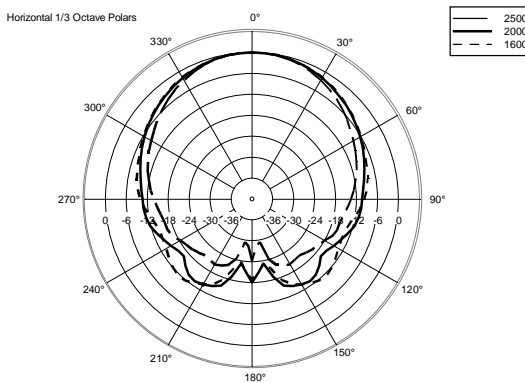
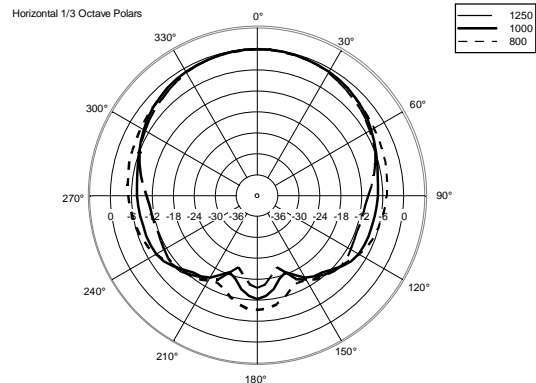
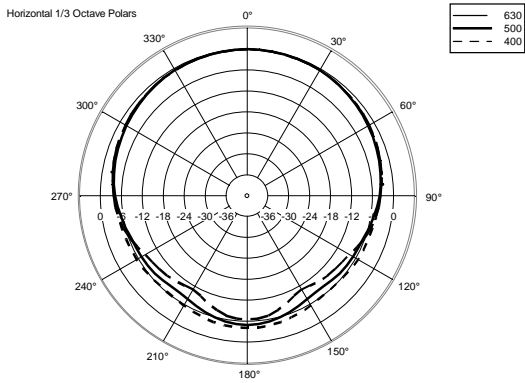
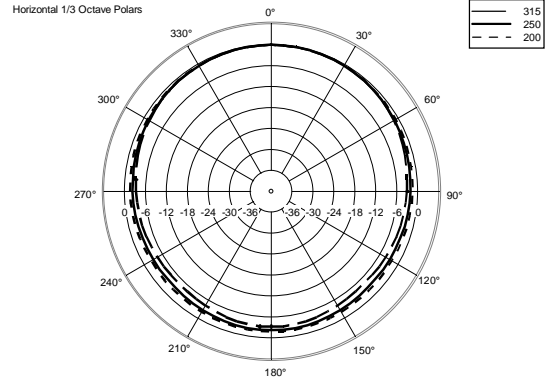
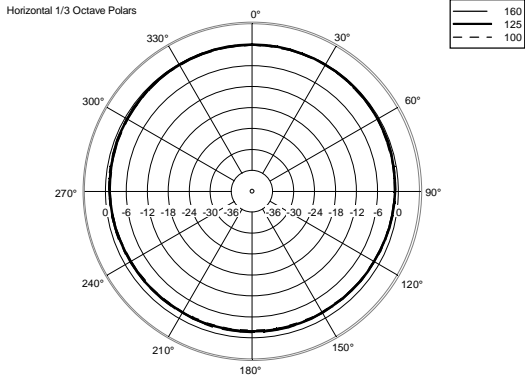
TT 515-A

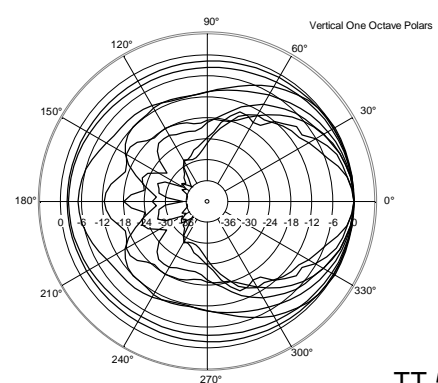
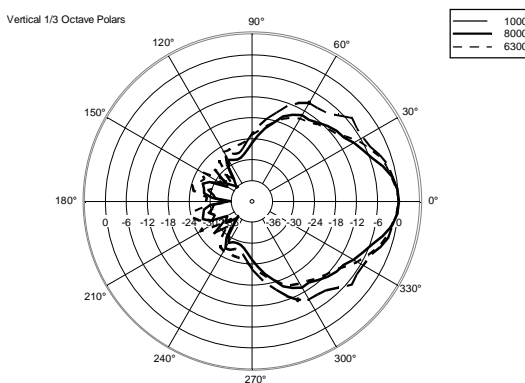
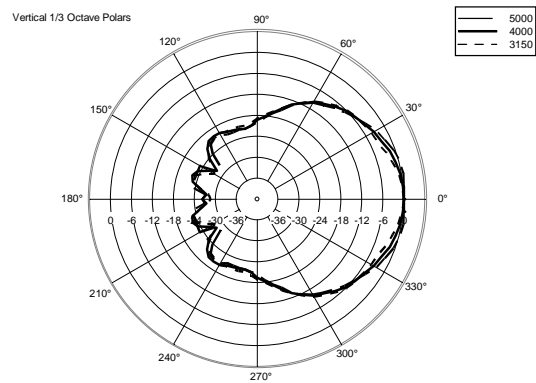
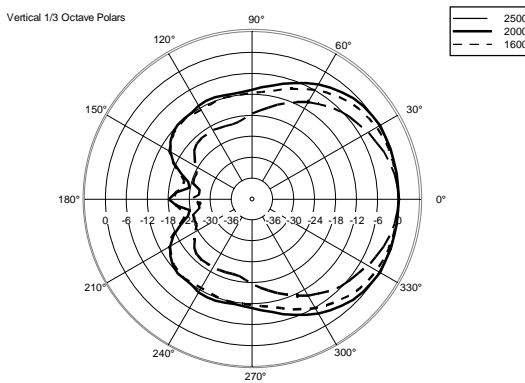
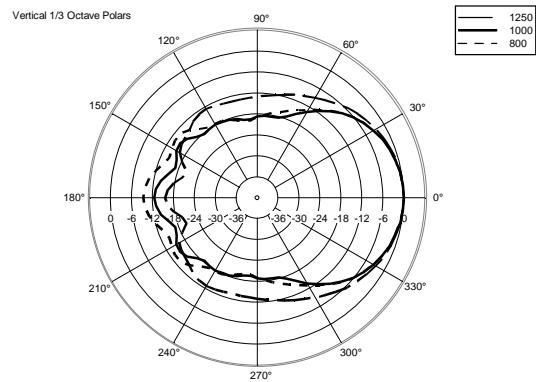
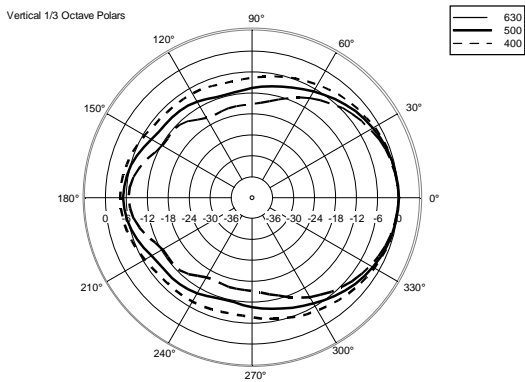
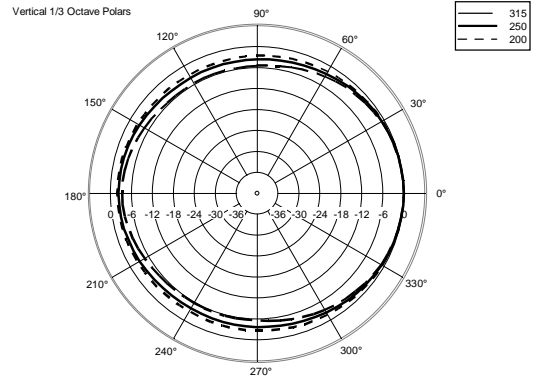
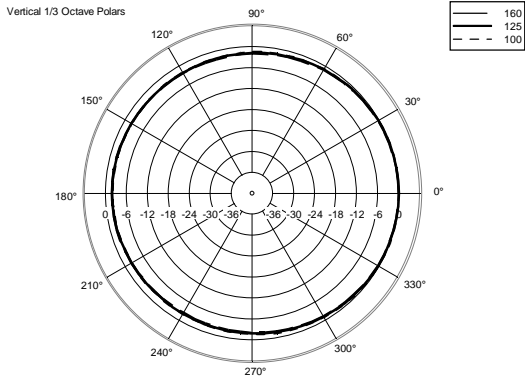
220-240V

EAN 8024530019471









**ACCESSORIES**

AC PM-M20

PART NUMBER **13360067**  
EAN: 8024530014599

AC PMX POLE MOUNT M20

PART NUMBER **13360232**  
EAN: 8024530010058

AC PRO-FS PROFESS. LOCKING FLOOR STAND

PART NUMBER **13360109**  
EAN: 8024530006471

AC PRO-PM PROFESS. LOCKING POLE MOUNT

PART NUMBER **13360110**  
EAN: 8024530006488

COVER CVR TT 515

PART NUMBER **13360482**  
EAN: 8024530019891

FLYING BRACKET FL-BR TT 515

PART NUMBER **13360485**  
EAN: 8024530018924

HORIZONTAL BRACKET H-BR TT 515

PART NUMBER **13360459**  
EAN: 8024530018948

LINK BAR FL-B LINK TT 515

PART NUMBER **13360501**  
EAN: 8024530019808

POLE MOUNT KIT PM-KIT TT 515

PART NUMBER **13360458**  
EAN: 8024530018955





RAIN PROTECTION RP 1X HDL 6

PART NUMBER **13360381**  
EAN: 8024530015169

---



VERTICAL BRACKET V-BR TT 515

PART NUMBER **13360484**  
EAN: 8024530018931

---