

TT 25-CXA

ACTIVE HIGH DEFINITION COAXIAL MONITOR

DESCRIPTION

The TT25-CXA is a full range, high performance coaxial monitor. The linear response curve, the consistent coverage and acoustic output make the TT25-CXA II the professional choice for most demanding situations. The voicing is accurate and deep, the sound is transparent in the mids and extremely accurate at very high frequencies. The size is compact and the profile is very low for a discreet appearance. The TT25-CXA is a high power active system that sets a new standard in the touring and theatre sound reinforcement. By producing flat amplitude and phase response, full-range bandwidth and exceptional impulse response, the TT25-CXA far exceeds the capabilities of conventional stage monitors.



FEATURES

- 1100 W Class D Amplifier
- 60 x 60 constant directivity coverage angle
- 15" neo coaxial woofer, 3.5" voice coil
- 1.5" neo coaxial c. driver, 2.5" voice coil
- DSP Processing
- Onboard RDNet Control
- Multifunctional cabinet
- Very high output

TECHNICAL SPECIFICATIONS

Acoustical specifications	Frequency Response:	50 Hz ÷ 20000 Hz
	Max SPL @ 1m:	133 dB
	Horizontal coverage angle:	60°
	Vertical coverage angle:	60°
Transducers	Compression Driver:	Coaxial 1.5" neo, 2.5" v.c
	Woofers:	Coaxial 15" neo, 3.5" v.c
Input/Output section	Input signal:	bal/unbal
	Input connectors:	XLR, RDNet Ethercon
	Output connectors:	XLR, RDNet Ethercon
	Input sensitivity:	-2 dBu/+4 dBu
Processor section	Crossover Frequencies:	900 Hz
	Protections:	Thermal, HF
	Limiter:	Soft Limiter
	Controls:	Proces., 8 sel. presets
	RDNet:	Yes
Power section	Total Power:	2200 W Peak, 1100 W RMS
	High frequencies:	600 W Peak, 300 W RMS
	Low frequencies:	1600 W Peak, 800 W RMS
	Cooling:	Convection
	Connections:	Powercon IN/OUT
Standard compliance	CE marking:	Yes
Physical specifications	Cabinet/Case Material:	Baltic birch plywood
	Handles:	1 Top
	Pole mount/Cap:	Yes
	Grille:	Steel
	Color:	Black
Size	Height:	353 mm / 13.9 inches
	Width:	580 mm / 22.83 inches
	Depth:	486 mm / 19.13 inches
	Weight:	18 kg / 39.68 lbs
Shipping informations	Package Height:	615 mm / 24.21 inches
	Package Width:	390 mm / 15.35 inches
	Package Depth:	515 mm / 20.28 inches
	Package Weight:	23 kg / 50.71 lbs



PART NUMBER

- **13000449**

TT 25-CXA

115V

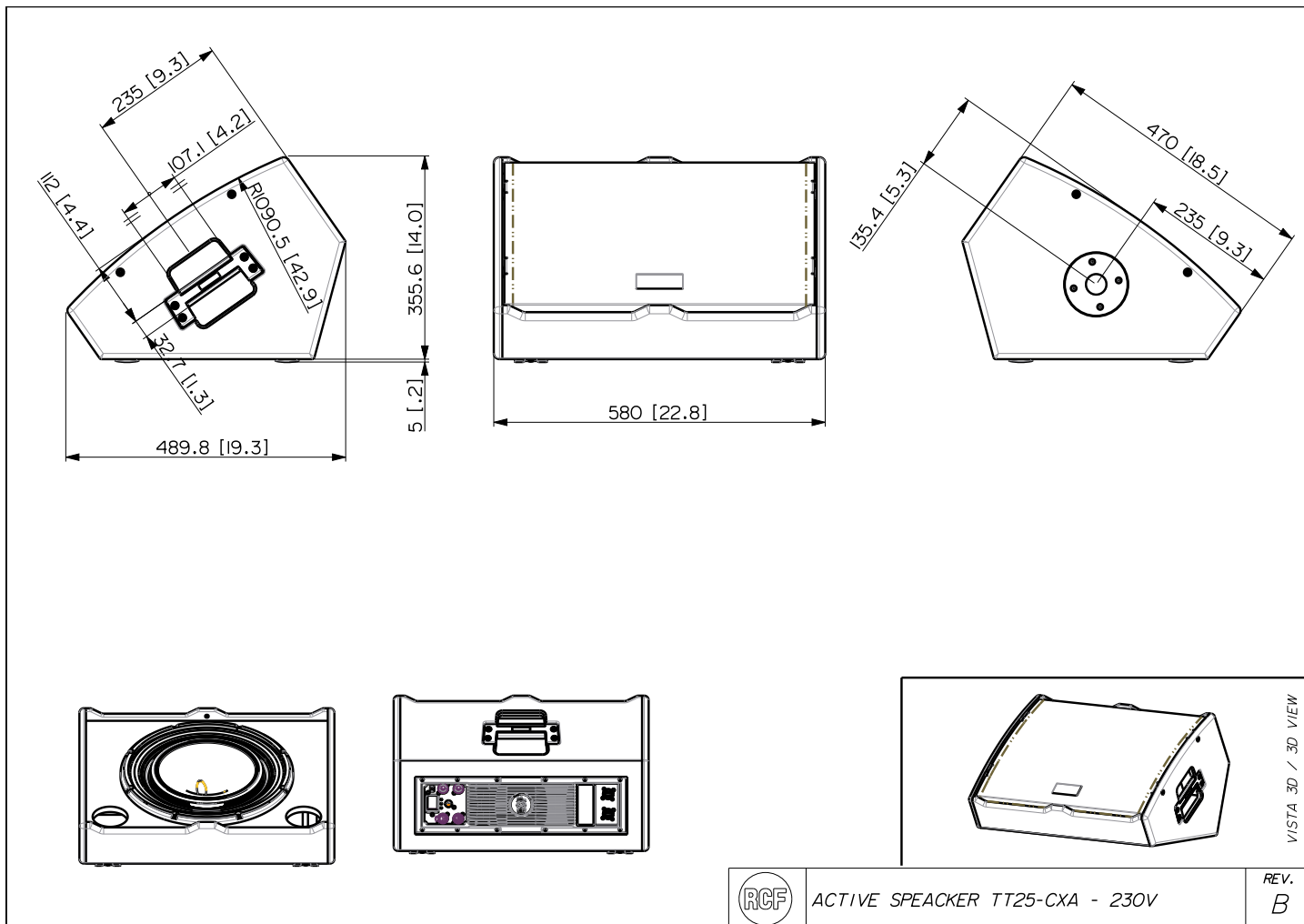
EAN 8024530013028

- **13000448**

TT 25-CXA

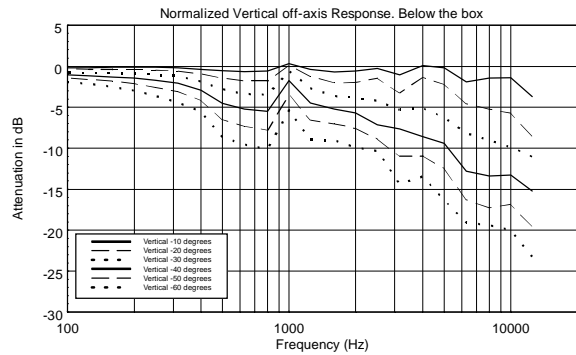
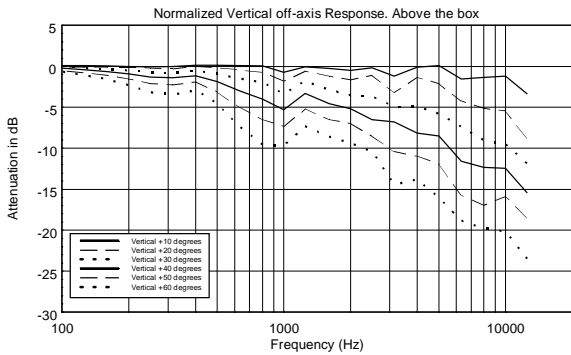
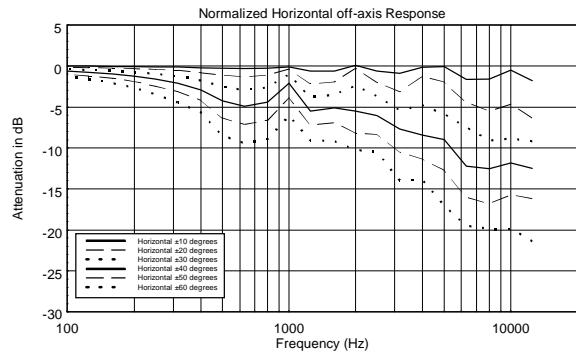
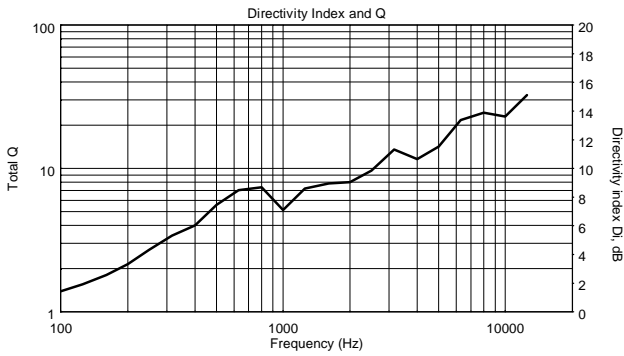
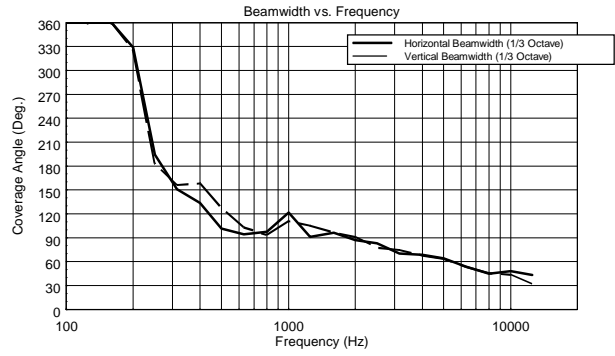
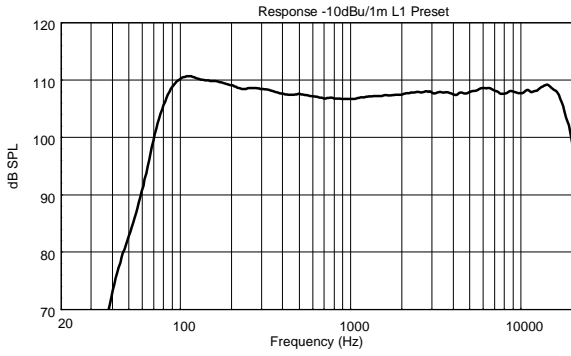
220-240V

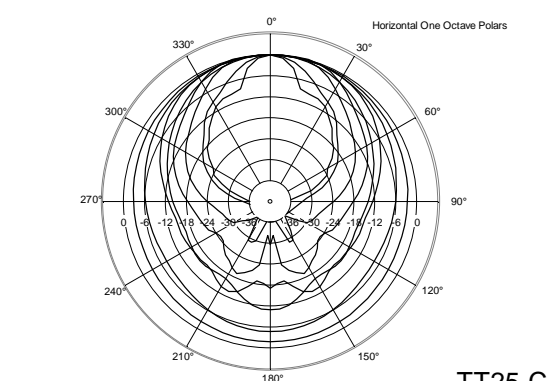
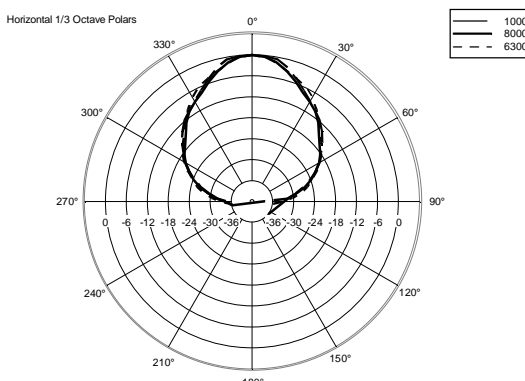
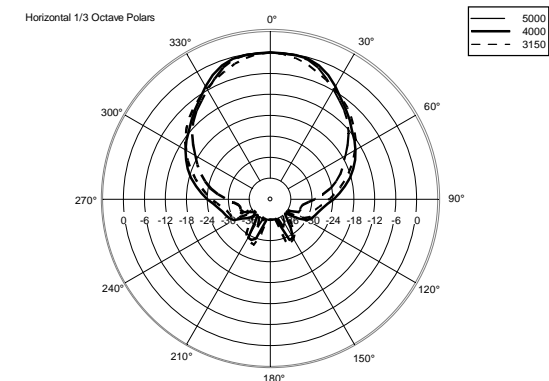
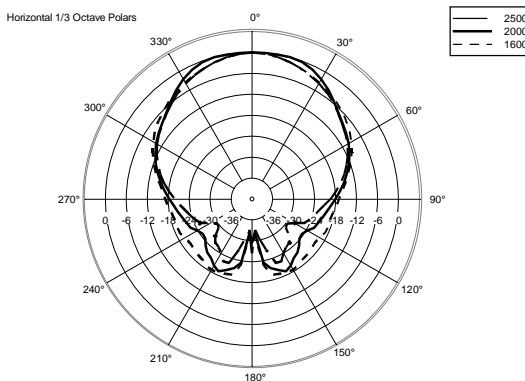
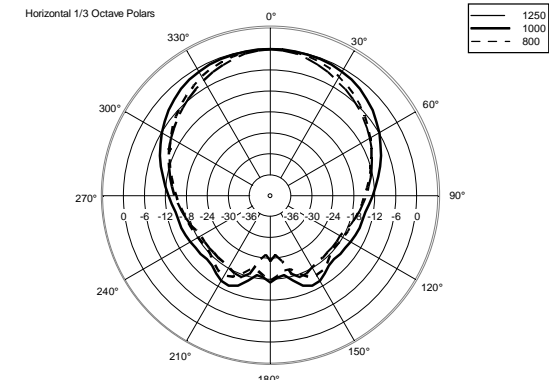
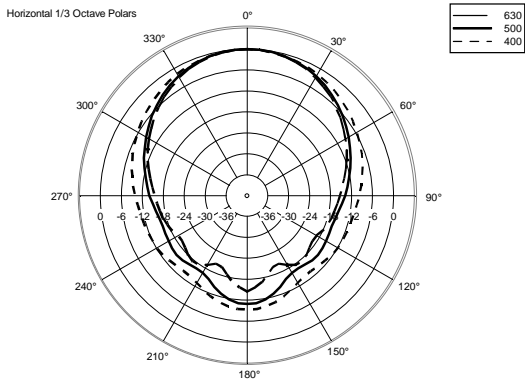
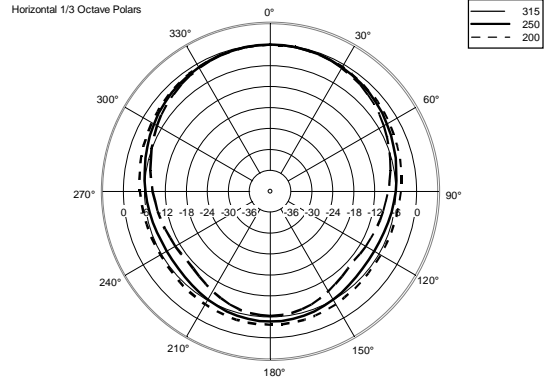
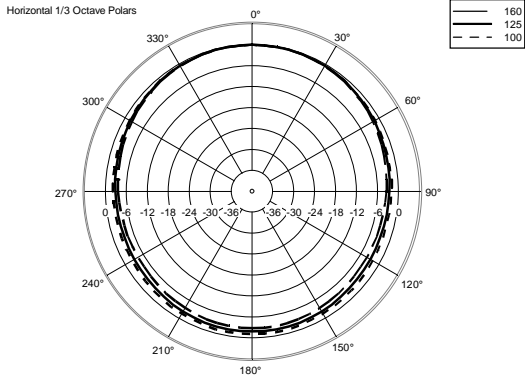
EAN 8024530012977

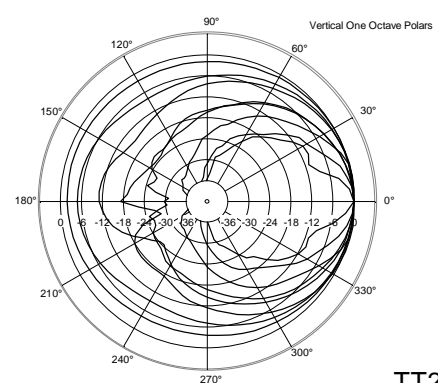
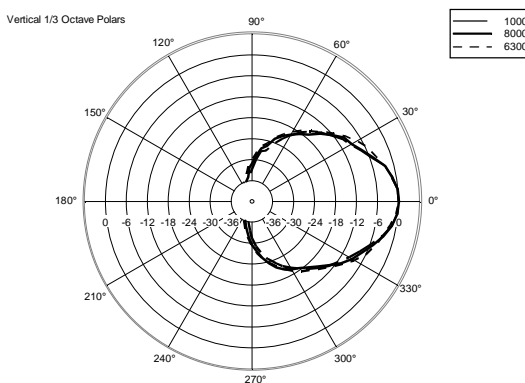
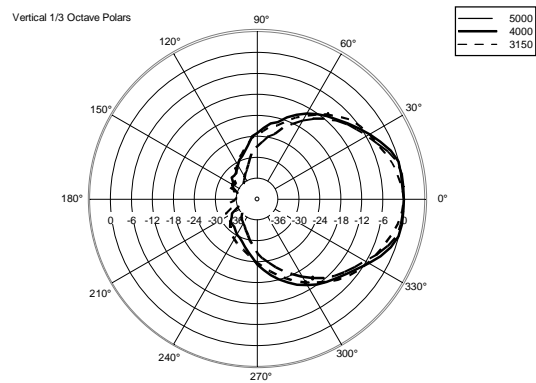
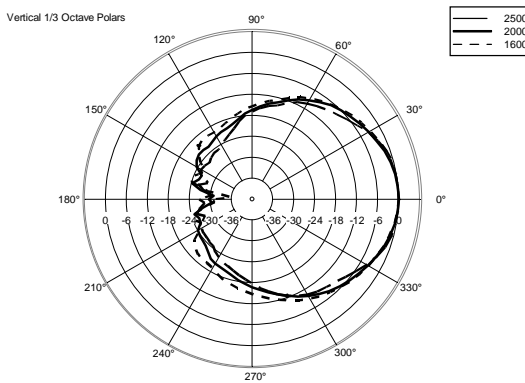
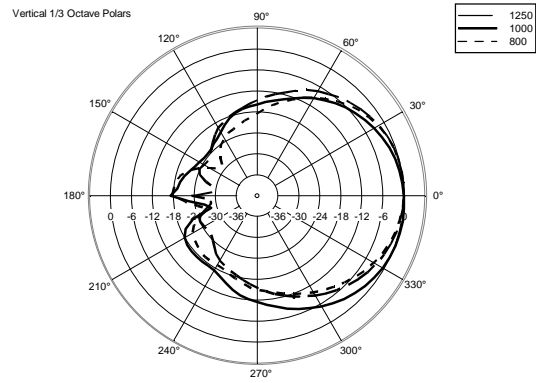
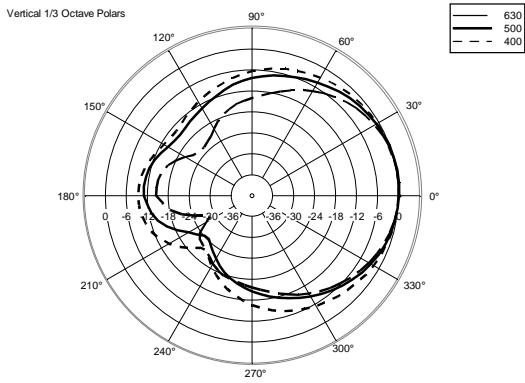
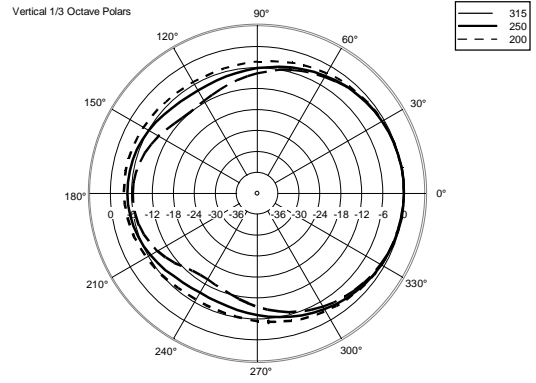
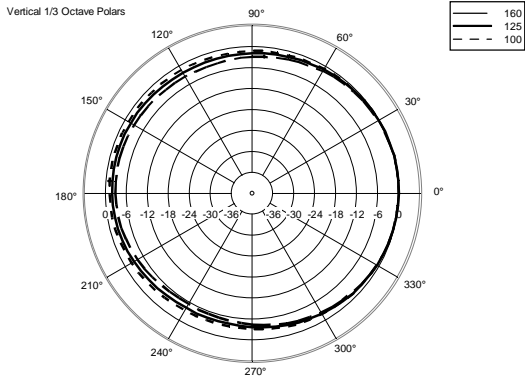


ACTIVE SPEACKER TT25-CXA - 230V










REV. B







ACCESSORIES

	AC PMA - POLE MOUNT	PART NUMBER EAN:	13360034 8024530007713
	AC PM-M20	PART NUMBER EAN:	13360067 8024530014599
	AC PMX POLE MOUNT M20	PART NUMBER EAN:	13360232 8024530010058
	AC PRO-FS PROFESS. LOCKING FLOOR STAND	PART NUMBER EAN:	13360109 8024530006471
	AC PRO-PM PROFESS. LOCKING POLE MOUNT	PART NUMBER EAN:	13360110 8024530006488
	CABLES KIT CBL ETHERCON 0.7M	PART NUMBER EAN:	12399016 8024530013844
	CABLES KIT CBL ETHERCON 1.5M	PART NUMBER EAN:	12399017 8024530013851
	CABLES KIT CBL ETHERCON 3M	PART NUMBER EAN:	12399035 8024530013868
	CABLES KIT CBL ETHERCON 5M	PART NUMBER EAN:	12399018 8024530013875



CABLES KIT CBL ETHERCON TO XLR F 0.2M

PART NUMBER **12399019**
EAN: 8024530013882



CABLES KIT CBL ETHERCON TO XLR M 0.2M

PART NUMBER **12399020**
EAN: 8024530013899



COVER CVR TT 25-CXA

PART NUMBER **13360327**
EAN: 8024530013448
