

TT 20-CXA

ACTIVE TWO-WAY HIGH DEFINITION MONITOR

DESCRIPTION

This active high output stage monitor is a full range, low-profile enclosure with symmetrical transducers arrangement. The optimized frequency and phase response, consistent coverage of 90° x 70°, and potent acoustic output make the TT20-CXA the professional choice for any stage as a monitor or, thanks to the pole socket, as full range front of house system. With an exceptional transient response and the powerful FIRPHASE processing, the TT CXA series far exceeds the capabilities of conventional stage monitors.



FEATURES

- 131 dB SPL Max
- 1000W RMS, two-way Class-D amplifier
- 90° x 70° constant directivity coverage
- Multifunctional cabinet with symmetrical transducers' design
- FIRPHASE
- 2 x 8" neodymium Woofers, 2.5" voice coil
- Horn loaded 1.4" neo comp. driver, 3" voice coil
- RDNet Networked Management

TECHNICAL SPECIFICATIONS

Acoustical specifications	Frequency Response:	60 Hz ÷ 20000 Hz
	Max SPL @ 1m:	131 dB
	Horizontal coverage angle:	90°
	Vertical coverage angle:	70°
Transducers	Compression Driver:	1 x 1.5" neo, 3.0" v.c
	Woofers:	2 x 8" neo, 2.5" v.c
Input/Output section	Input signal:	bal/unbal
	Input connectors:	XLR, RDNet Ethercon
	Output connectors:	XLR, RDNet Ethercon
	Input sensitivity:	-2 dBu/+4 dBu
Processor section	Crossover Frequencies:	900 Hz
	Protections:	Thermal, HF
	Limiter:	Fast Limiter
	Controls:	Bypass, Linear/High Pass, Volume, RDnet on board
	RDNet:	Yes
Power section	Total Power:	2000 W Peak, 1000 W RMS
	High frequencies:	600 W Peak, 300 W RMS
	Low frequencies:	1400 W Peak, 700 W RMS
	Cooling:	Convection
	Connections:	Powercon IN/OUT
Standard compliance	CE marking:	Yes
Physical specifications	Cabinet/Case Material:	Baltic birch plywood
	Handles:	1 TOP
	Grille:	Steel
	Color:	Black
Size	Height:	318 mm / 12.52 inches
	Width:	445 mm / 17.52 inches
	Depth:	450 mm / 17.72 inches
	Weight:	14 kg / 30.86 lbs
Shipping informations	Package Height:	500 mm / 19.69 inches
	Package Width:	490 mm / 19.29 inches
	Package Depth:	375 mm / 14.76 inches
	Package Weight:	16.4 kg / 36.16 lbs



PART NUMBER

- **13000560**

TT 20-CXA

115V

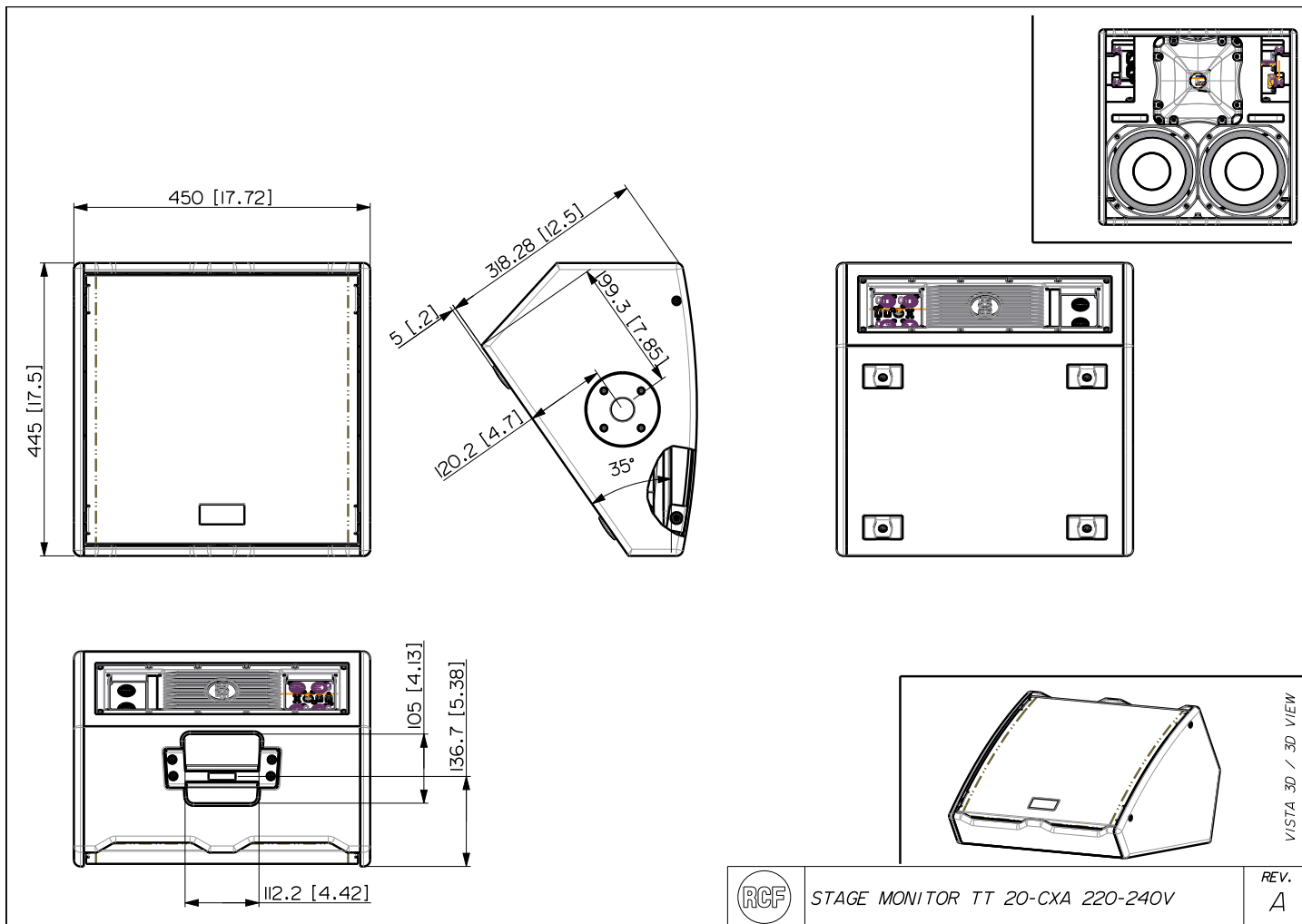
EAN 8024530017101

- **13000544**

TT 20-CXA

220-240V

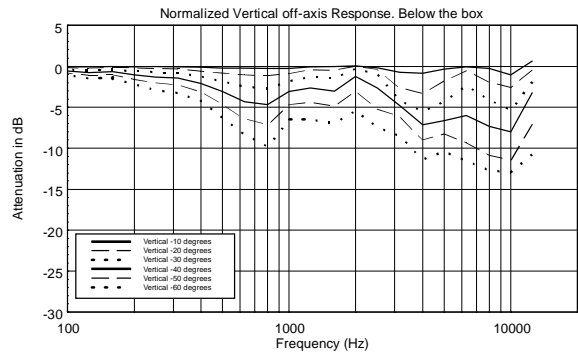
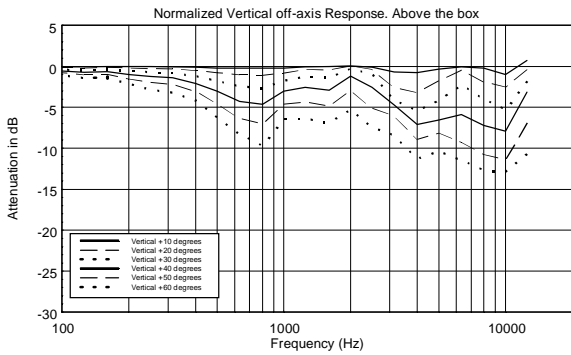
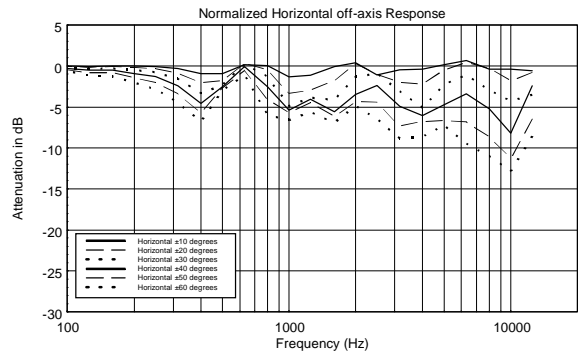
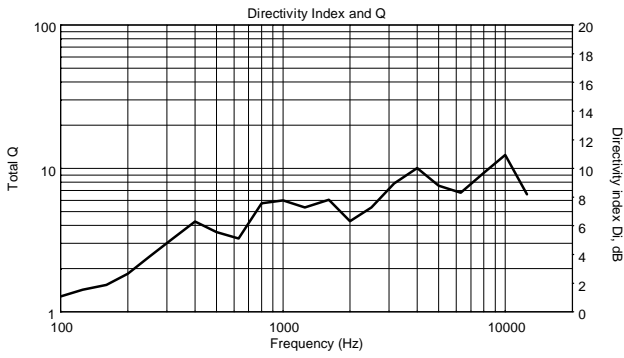
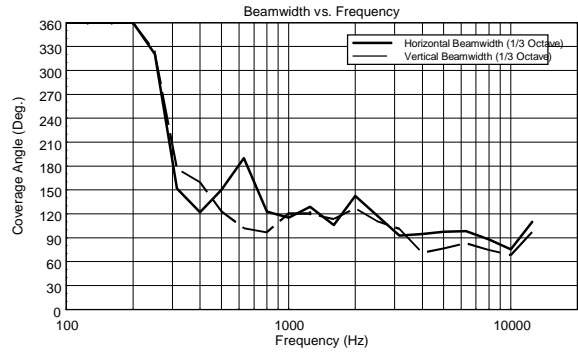
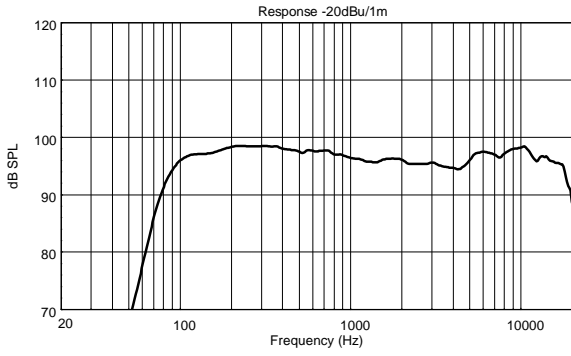
EAN 8024530016807



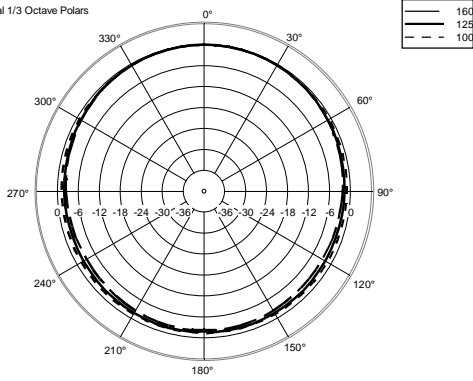
STAGE MONITOR TT 20-CXA 220-240V

REV.
A

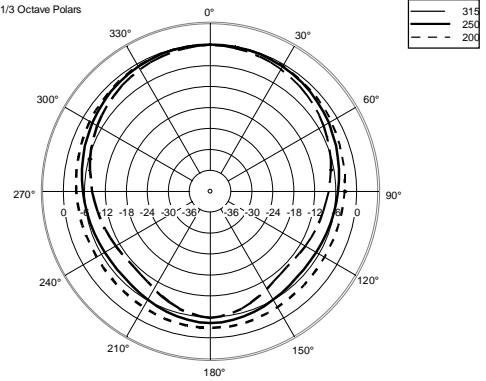
VISTA 3D / 3D VIEW



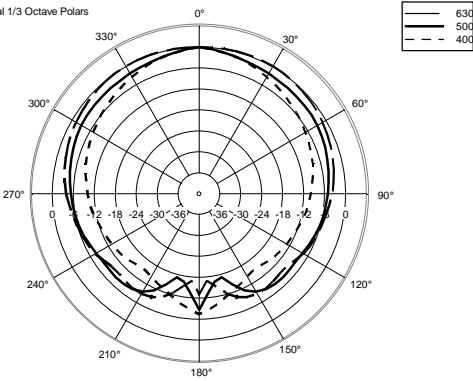
Horizontal 1/3 Octave Polars



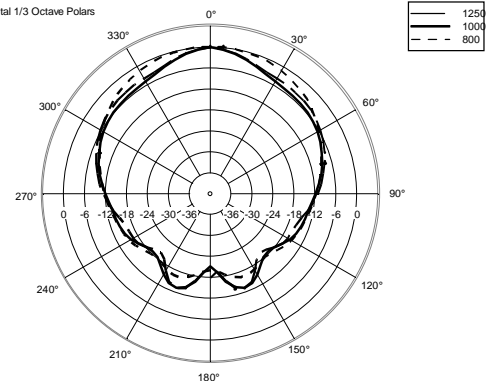
Horizontal 1/3 Octave Polars



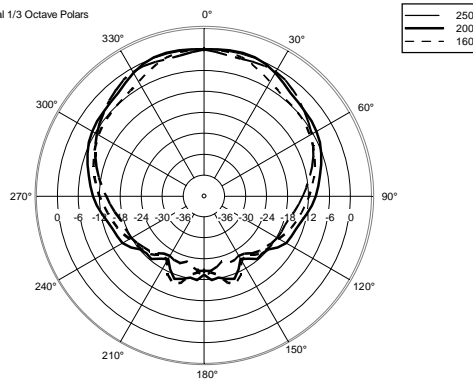
Horizontal 1/3 Octave Polars



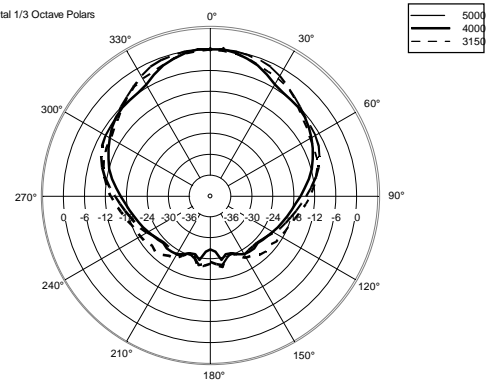
Horizontal 1/3 Octave Polars



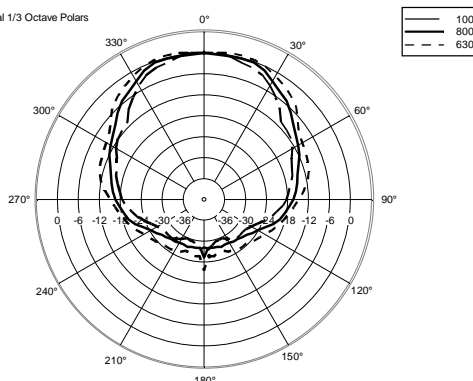
Horizontal 1/3 Octave Polars



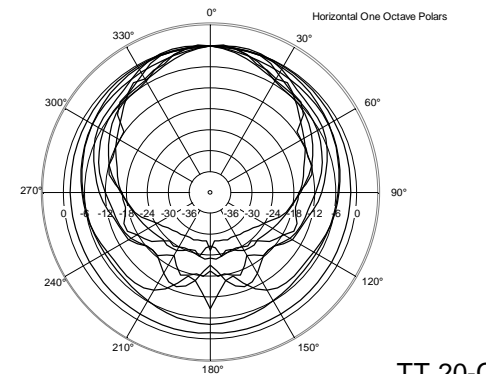
Horizontal 1/3 Octave Polars

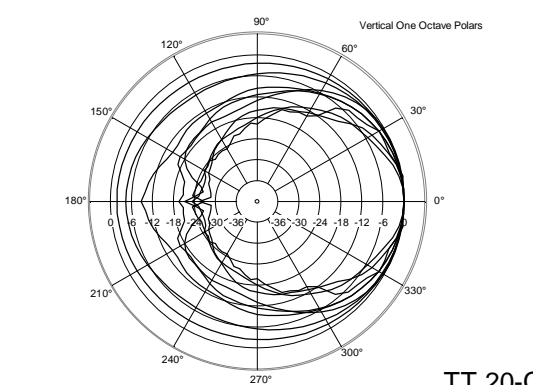
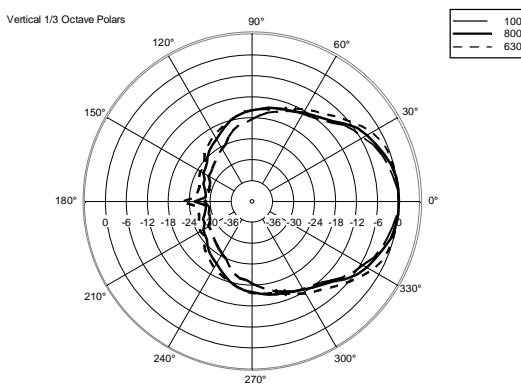
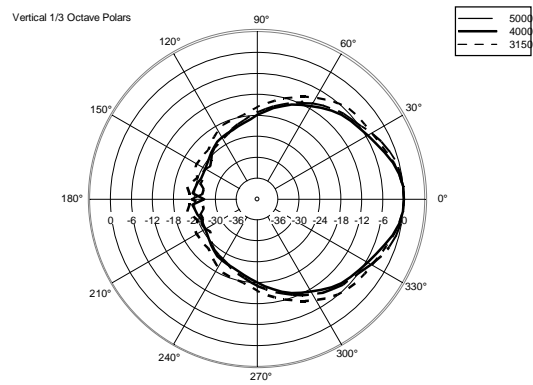
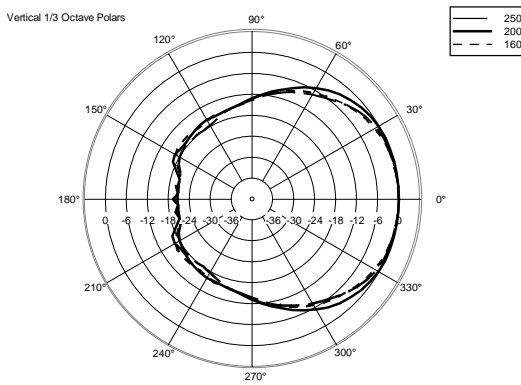
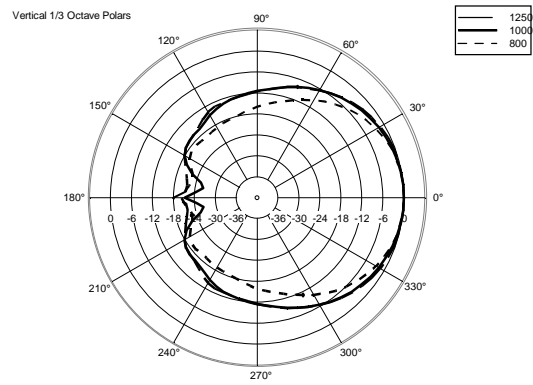
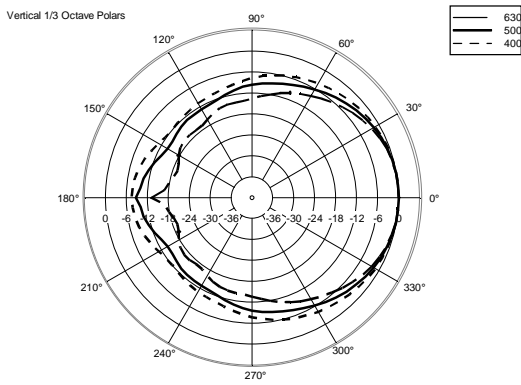
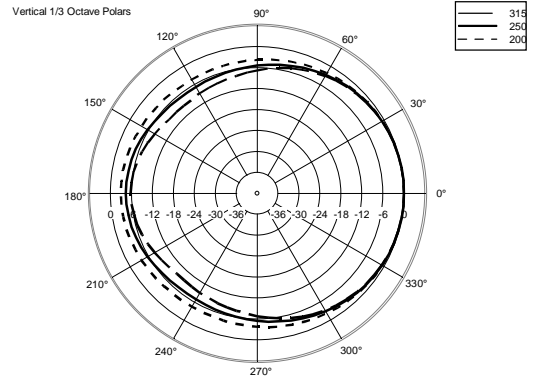
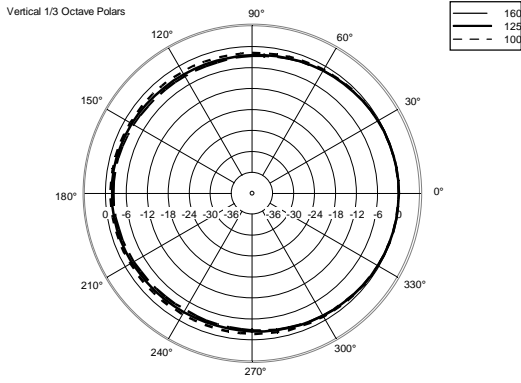


Horizontal 1/3 Octave Polars



Horizontal One Octave Polars





ACCESSORIES

AC PMA - POLE MOUNT

PART NUMBER **13360034**
EAN: 8024530007713

AC PM-M20

PART NUMBER **13360067**
EAN: 8024530014599

AC PMX POLE MOUNT M20

PART NUMBER **13360232**
EAN: 8024530010058

AC PRO-FS PROFESS. LOCKING FLOOR STAND

PART NUMBER **13360109**
EAN: 8024530006471

AC PRO-PM PROFESS. LOCKING POLE MOUNT

PART NUMBER **13360110**
EAN: 8024530006488

COVER CVR TT 20-CXA

PART NUMBER **13360405**
EAN: 8024530016340

RAIN PROTECTION RP 1X HDL 6

PART NUMBER **13360381**
EAN: 8024530015169