

TT 08-A II

ACTIVE TWO-WAY HIGH DEFINITION SPEAKER

DESCRIPTION

The RCF TT08-A II is by far the smallest member of the TT+ family, whilst being the most flexible and powerful tool in its class. Perfect for live sound to playback and monitoring, corporate events and broadcast studios. Though remarkably compact and lightweight, the TT 08-A II offers an incredible maximum sound pressure level of 128 dB. Its performance efficiency is higher than many larger 10" speaker systems.



FEATURES

- 128 dB SPL Max
- 1000W RMS, two-way Class-D amplifier
- Rotatable 90° x 70° constant directivity horn
- Quick Fit Bracket Socket
- FiRPHASE
- 8" neodymium Woofers, 2.5" voice coil
- Horn-loaded 1" neo comp. driver, 1,75" voice coil
- RDNet Networked Management
- 60 ÷ 20000 Hz Frequency Range

TECHNICAL SPECIFICATIONS

Acoustical specifications	Frequency Response:	65 Hz ÷ 20000 Hz
	Max SPL @ 1m:	128 dB
	Horizontal coverage angle:	90°
	Vertical coverage angle:	70°
Transducers	Compression Driver:	1 x 1.0" neo, 1.75" v.c
	Woofers:	8" neo, 2.5" v.c
Input/Output section	Input signal:	bal/unbal
	Input connectors:	XLR, RDNet Ethercon
	Output connectors:	XLR, RDNet Ethercon
	Input sensitivity:	-2 dBu/+4 dBu
Processor section	Crossover Frequencies:	900 HZ
	Protections:	Thermal, HF
	Limiter:	Fast Limiter
	Controls:	Bypass, Linear/High Pass, Volume, RDnet on board
	RDNet:	Yes
Power section	Total Power:	2000 W Peak, 1000 W RMS
	High frequencies:	600 W Peak, 300 W RMS
	Low frequencies:	1400 W Peak, 700 W RMS
	Cooling:	Convection
	Connections:	Powercon IN/OUT
Standard compliance	CE marking:	Yes
Physical specifications	Cabinet/Case Material:	Baltic birch plywood
	Hardware:	3X M10 TOP AND BOTTOM 2X PIN D.10 AND M10 SIDE
	Handles:	1 TOP
	Grille:	Steel
	Color:	Black
Size	Height:	450 mm / 17.72 inches
	Width:	270 mm / 10.63 inches
	Depth:	278 mm / 10.94 inches
	Weight:	11 kg / 24.25 lbs
Shipping informations	Package Height:	500 mm / 19.69 inches
	Package Width:	330 mm / 12.99 inches
	Package Depth:	320 mm / 12.6 inches
	Package Weight:	12.7 kg / 28 lbs



PART NUMBER

• **13000558**

TT 08-A II

115V

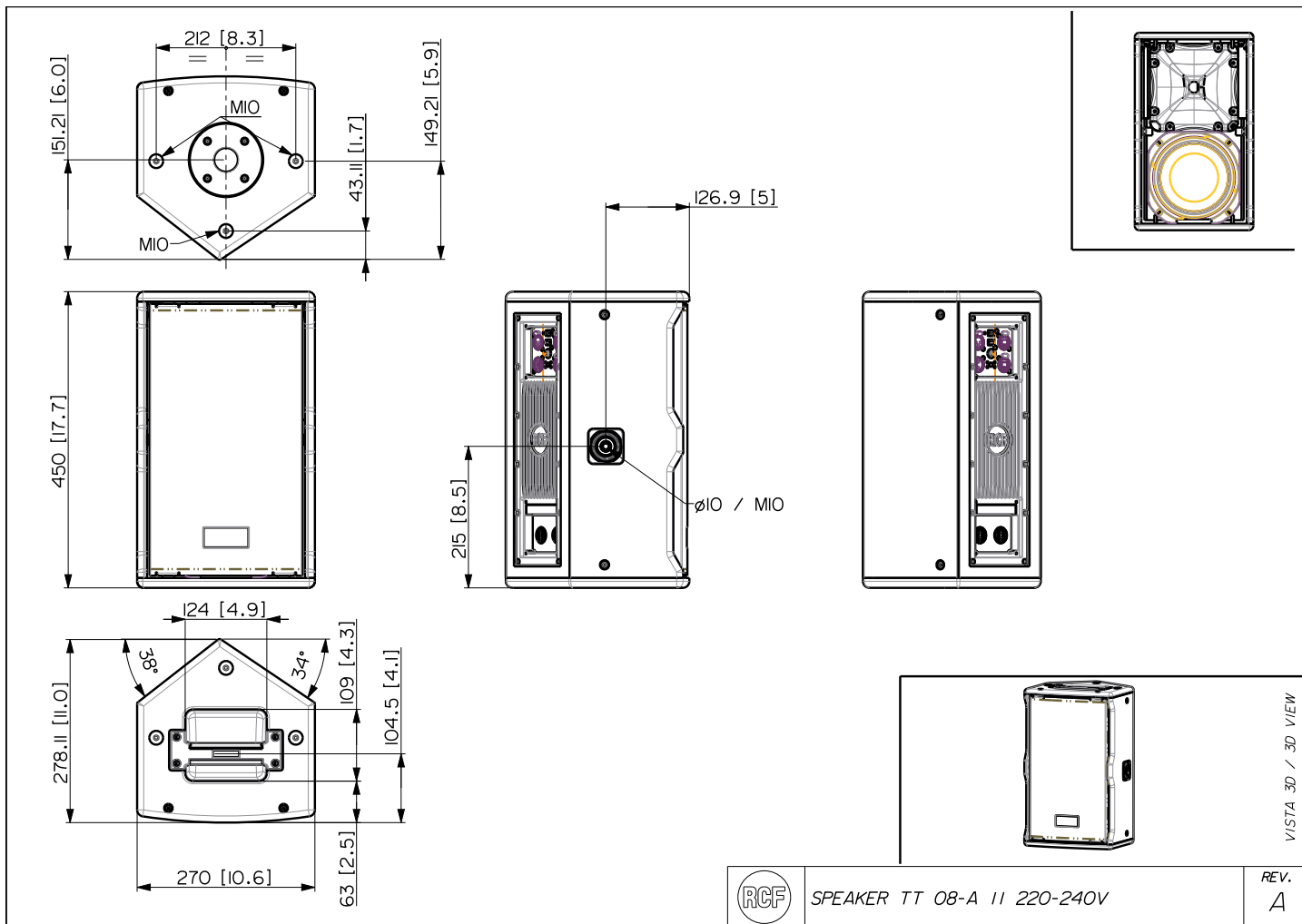
EAN 8024530017705

• **13000547**

TT 08-A II

220-240V

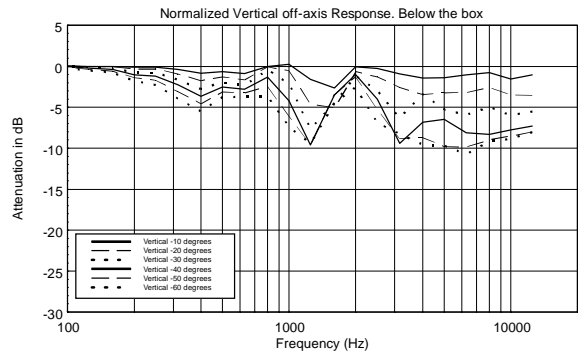
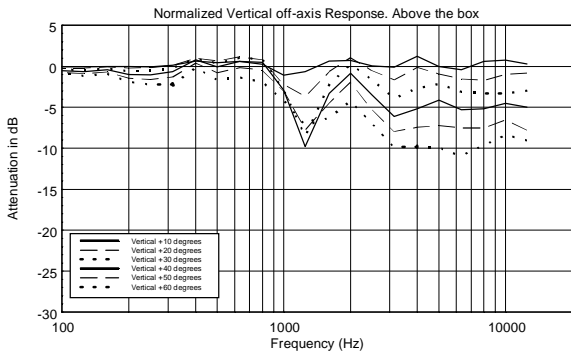
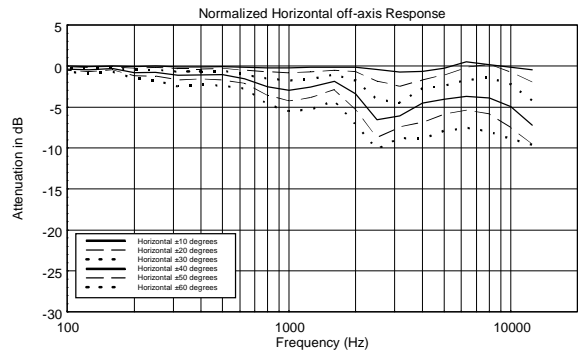
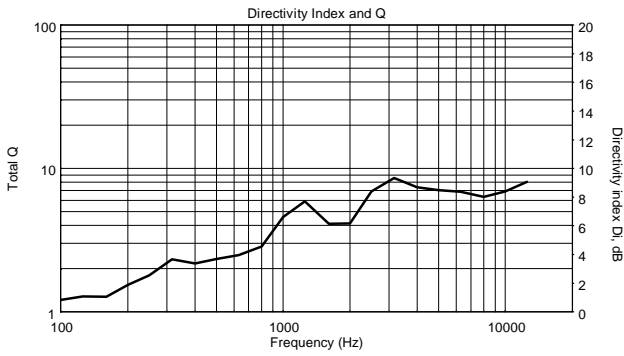
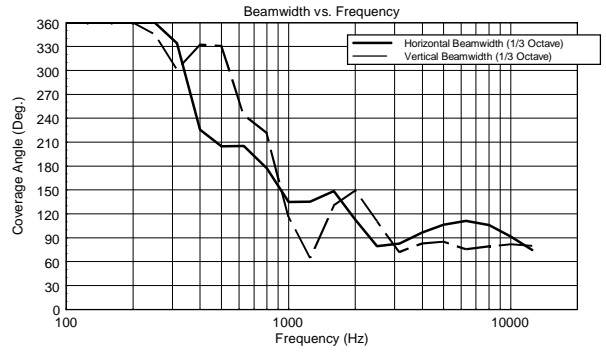
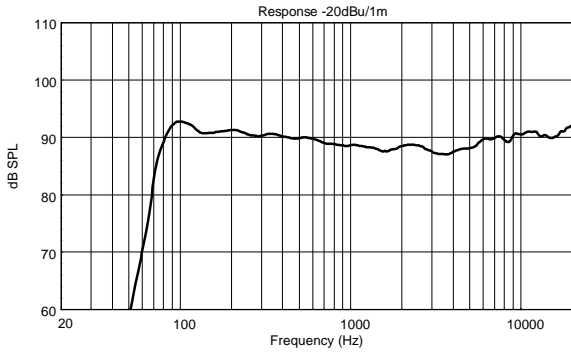
EAN 8024530017118

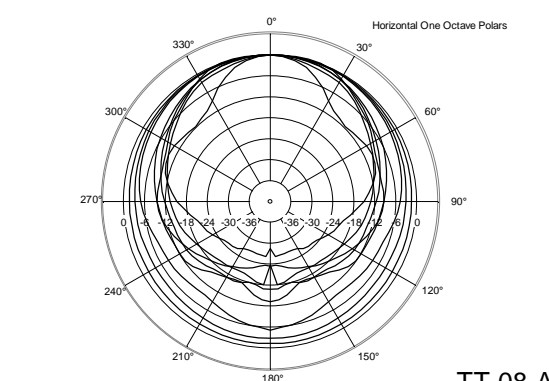
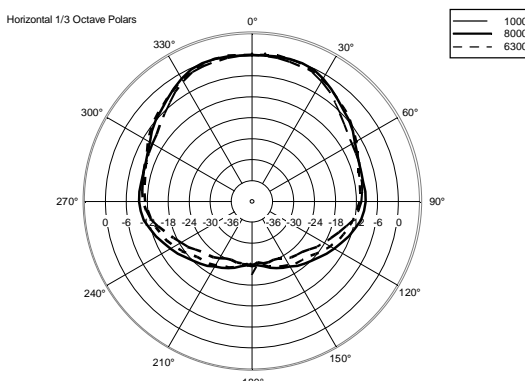
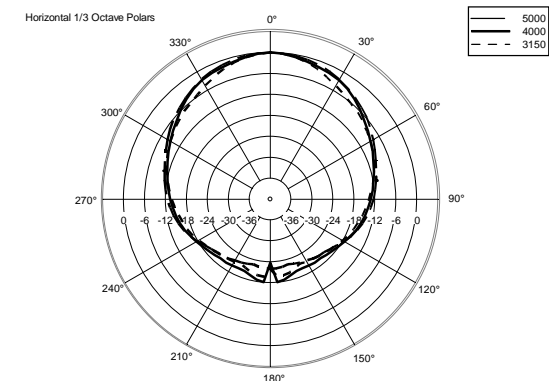
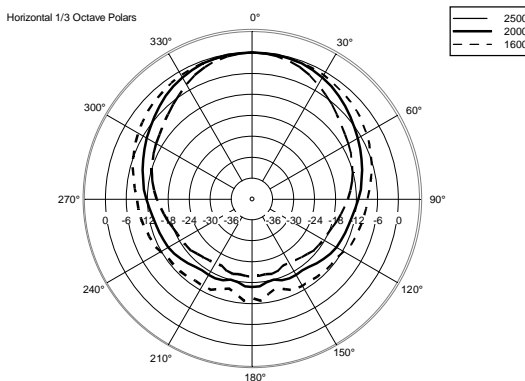
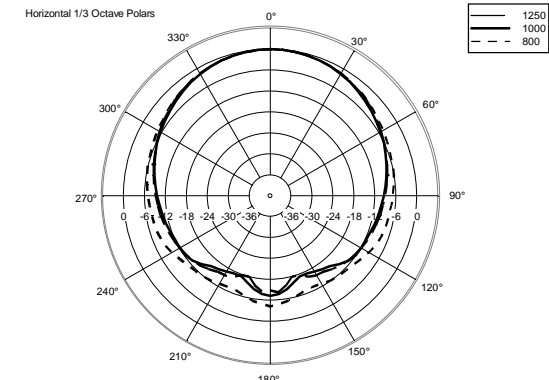
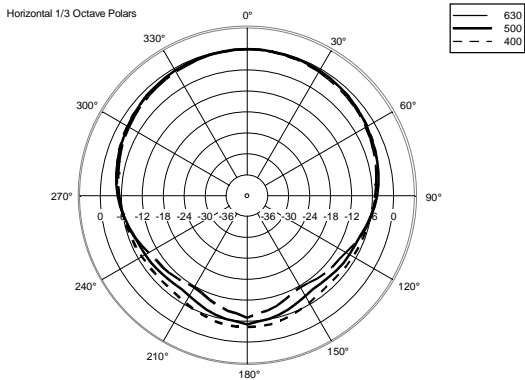
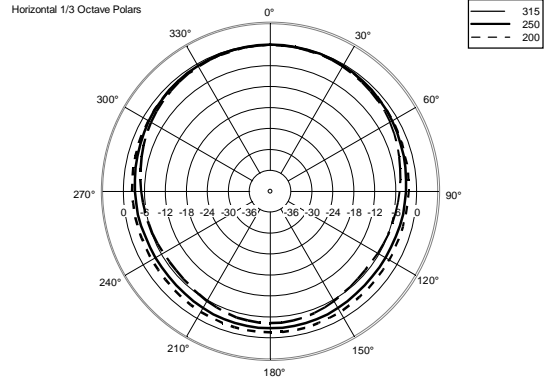
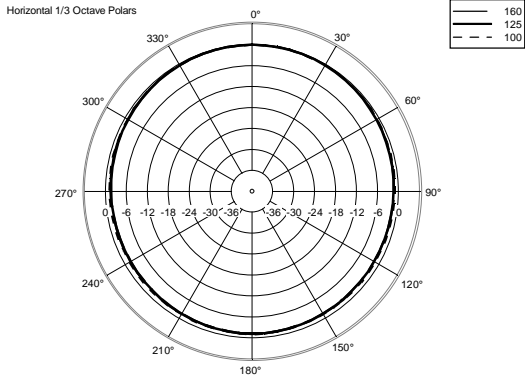


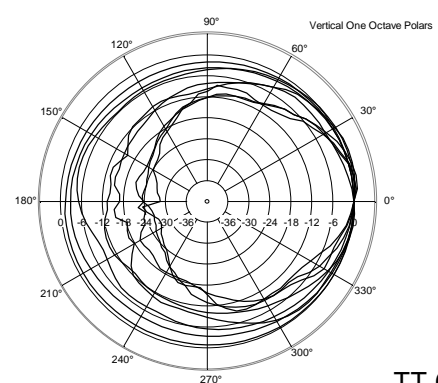
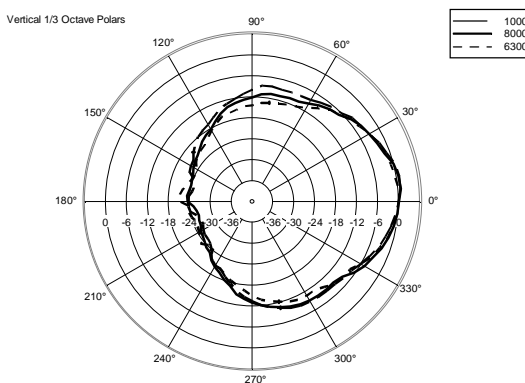
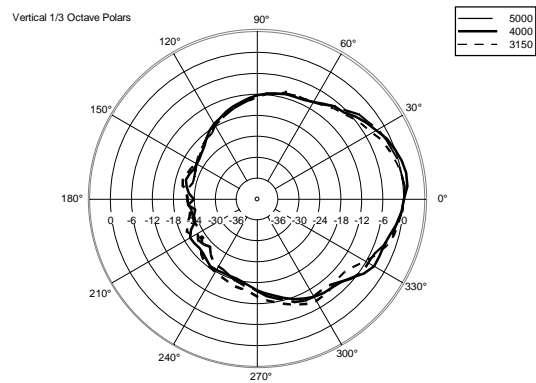
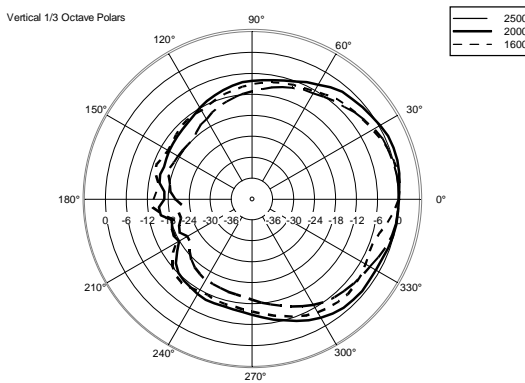
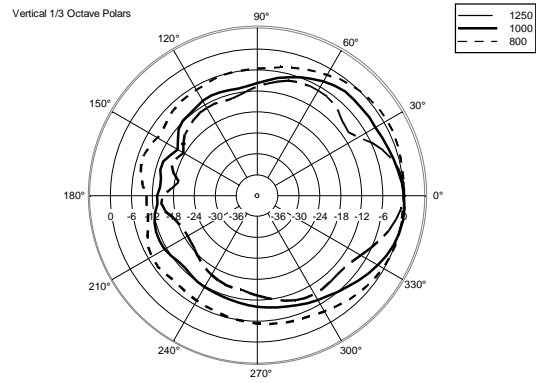
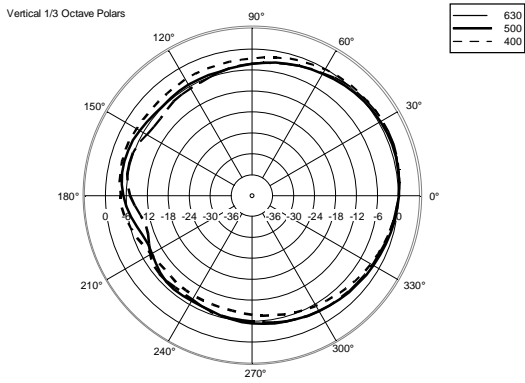
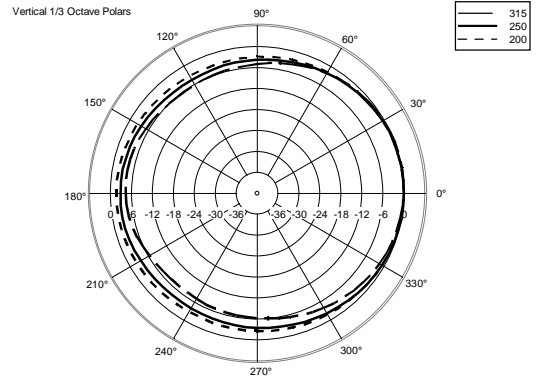
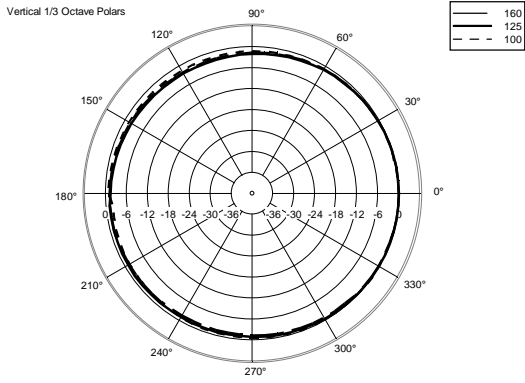
SPEAKER TT 08-A II 220-240V

REV.
A










VISTA 3D / 3D VIEW







ACCESSORIES

	AC PMA - POLE MOUNT	PART NUMBER EAN:	13360034 8024530007713
	AC PM-M20	PART NUMBER EAN:	13360067 8024530014599
	AC PMX POLE MOUNT M20	PART NUMBER EAN:	13360232 8024530010058
	AC PRO-FS PROFESS. LOCKING FLOOR STAND	PART NUMBER EAN:	13360109 8024530006471
	AC PRO-PM PROFESS. LOCKING POLE MOUNT	PART NUMBER EAN:	13360110 8024530006488
	COVER CVR TT 08 II	PART NUMBER EAN:	13360403 8024530016326
	HORIZONTAL BRACKET H-BR TT 08 II	PART NUMBER EAN:	13360399 8024530016289
	KIT EYEBOLT 4 X	PART NUMBER EAN:	13360031 8024530018870
	RAIN PROTECTION RP 1X HDL 6	PART NUMBER EAN:	13360381 8024530015169



VERTICAL BRACKET V-BR TT 08 II

PART NUMBER **13360400**
EAN: 8024530016296
