

# SUB 905-AS II

## ACTIVE SUBWOOFER

### DESCRIPTION

The SUB 905-AS II active subwoofer is ideal for building powerful subwoofer satellite systems where compactness and high sound levels are required at the same time. The SUB 905-AS has the most advanced RCF woofer technology, coupled with a powerful 2200 W digital amplifier. It offers the perfect blend of bass reproduction, high SPL and compact dimensions for mobile use by bands or DJs.



### FEATURES

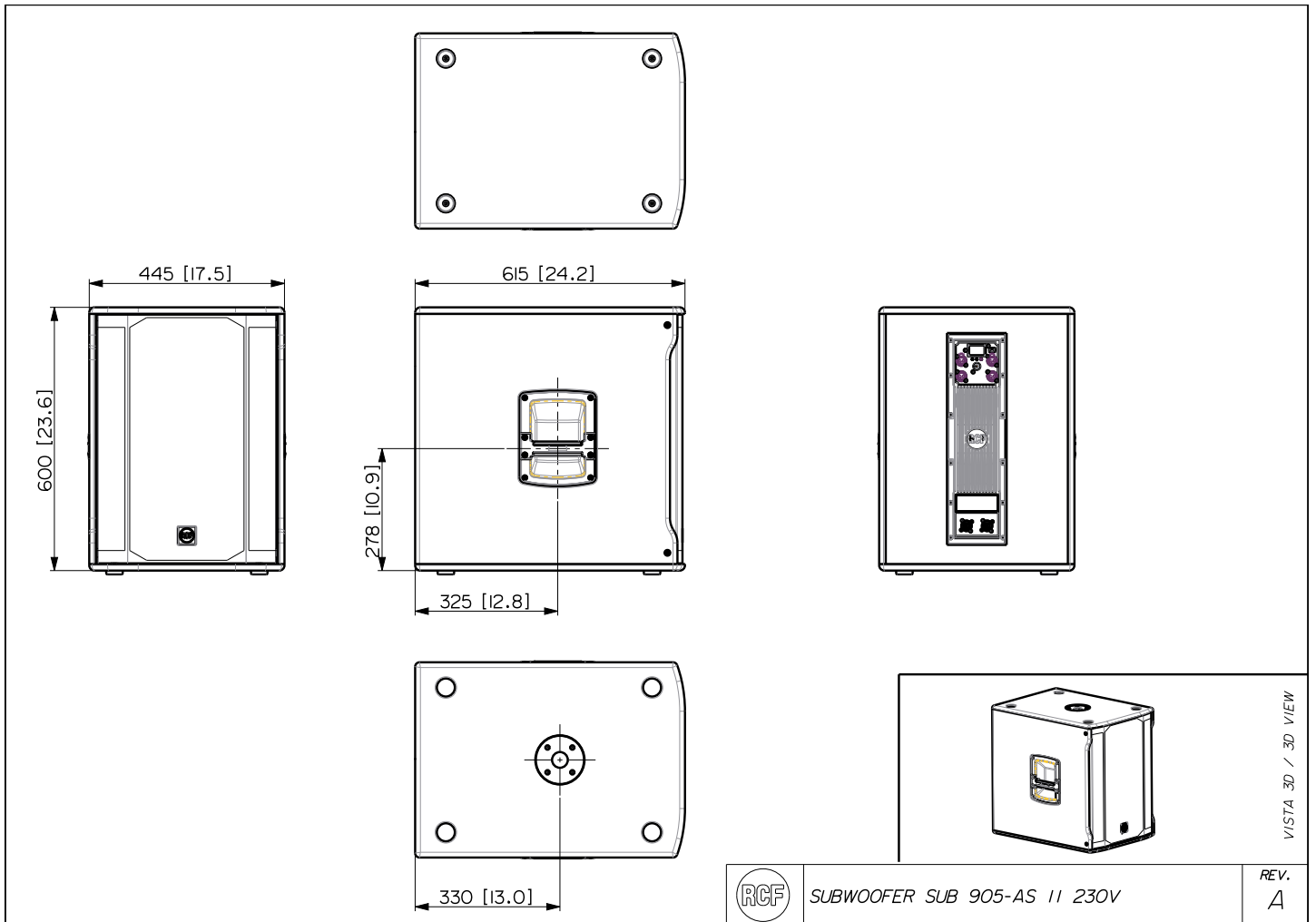
- 2200 W
- 133 dB max SPL
- 40 Hz - 120 Hz frequency response
- 15" Woofer, 3.0" v.c.
- Selectable gain, X-over and delay
- Birch tour grade cabinet
- Stereo XLR input, Stereo XLR signal output

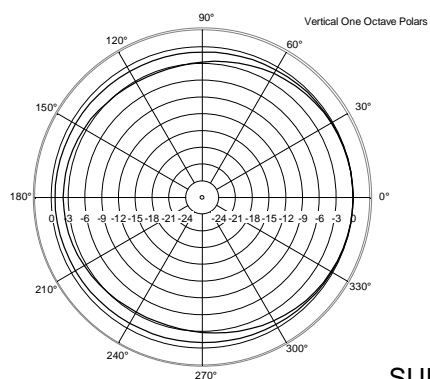
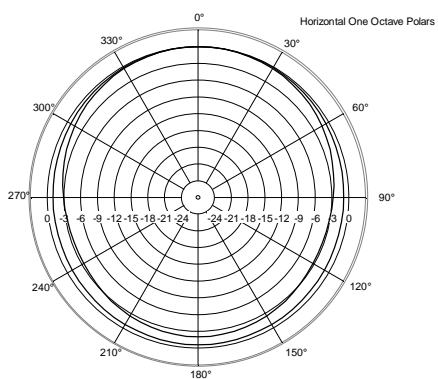
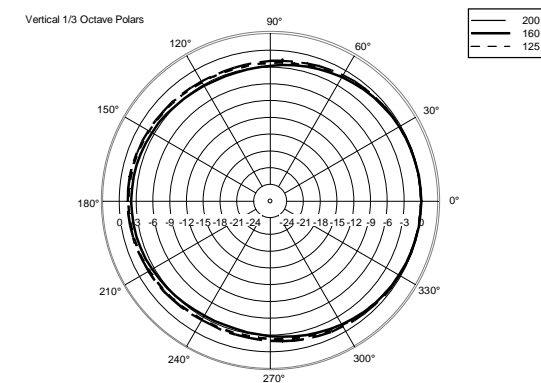
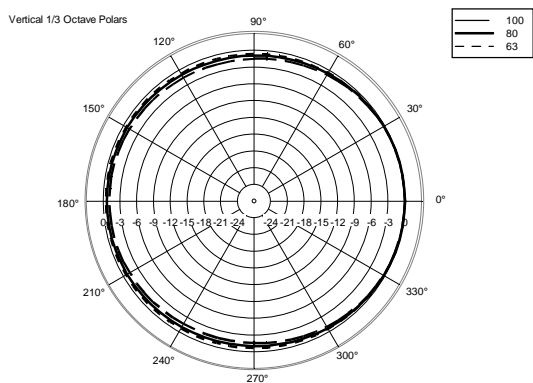
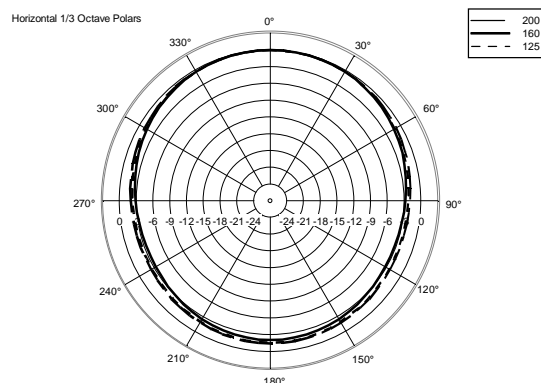
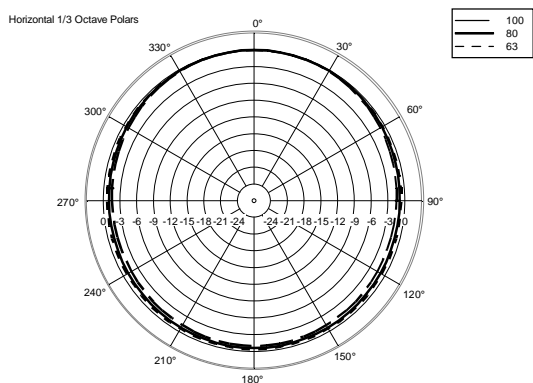
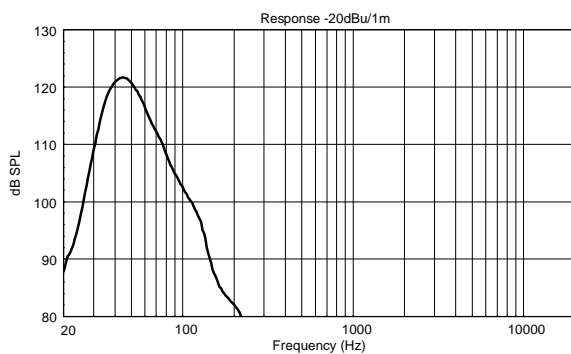
## TECHNICAL SPECIFICATIONS

<b>Acoustical specifications</b>	Frequency Response:	40 Hz ÷ 120 Hz
	Max SPL @ 1m:	133 dB
<b>Transducers</b>	Woofers:	15", 3.0" v.c
<b>Input/Output section</b>	Input connectors:	XRL Stereo
	Output connectors:	XRL Stereo
	Input sensitivity:	-2 dBu/+4 dBu
<b>Processor section</b>	Crossover Frequencies:	Selectable
	Protections:	Thermal, RMS
	Limiter:	Soft Limiter
	Controls:	Gain, EQ, phase, xover, delay, cardioid
<b>Power section</b>	Total Power:	2200 W Peak, 1100 W RMS
	Low frequencies:	2200 W Peak, 1100 W RMS
	Cooling:	Convection
	Connections:	Powercon IN/OUT
<b>Standard compliance</b>	CE marking:	Yes
<b>Physical specifications</b>	Cabinet/Case Material:	Baltic birch plywood
	Handles:	2 Side
	Pole mount/Cap:	Yes
	Grille:	Steel
	Color:	Black
<b>Size</b>	Height:	600 mm / 23.62 inches
	Width:	445 mm / 17.52 inches
	Depth:	610 mm / 24.02 inches
	Weight:	30.2 kg / 66.58 lbs
<b>Shipping informations</b>	Package Height:	650 mm / 25.59 inches
	Package Width:	670 mm / 26.38 inches
	Package Depth:	500 mm / 19.69 inches
	Package Weight:	35 kg / 77.16 lbs

## PART NUMBER

- |                   |                   |
|-------------------|-------------------|
| • <b>13000435</b> | • <b>13000434</b> |
| SUB 905-AS II     | SUB 905-AS II     |
| 115V              | 220-240V          |
| EAN 8024530014469 | EAN 8024530014551 |





**ACCESSORIES**

AC PMA - POLE MOUNT

PART NUMBER **13360034**  
EAN: 8024530007713

AC PRO-PM PROFESS. LOCKING POLE MOUNT

PART NUMBER **13360110**  
EAN: 8024530006488

COVER CVR SUB 905 II

PART NUMBER **13360379**  
EAN: 8024530014582