

SUB 9007-AS

ACTIVE HIGH POWER SUBWOOFER

DESCRIPTION

The SUB 9007-AS is one of the most powerful 2x21" subwoofers in the field of live sound. Featuring two, high power, hyper-vented 21" neodymium woofers with 4.0" inside-outside voice coils, this cabinet deliver a serious amount of low frequencies. Powered by a 7200 W digital amplifier, the SUB 9007-AS can perform in the most demanding situations. The housing of the SUB 9007-AS match the RCF D-Line HDL 50 and HDL 20 array systems, enabling stacked systems matched a perfect combination.



FEATURES

- 7200 Watt Peak power - 3600 Watt RMS
- 141 dB max SPL
- 20 Hz ÷ 400 Hz frequency response
- 2 x 21" Woofer
- DSP controlled Input section with selectable presets
- Delay control
- Integrated mechanics for multiple configurations with HDL 50-A 4k, HDL 20-A, HDL 10-A
- RDNet remote and control
- Baltic birch tour grade cabinet

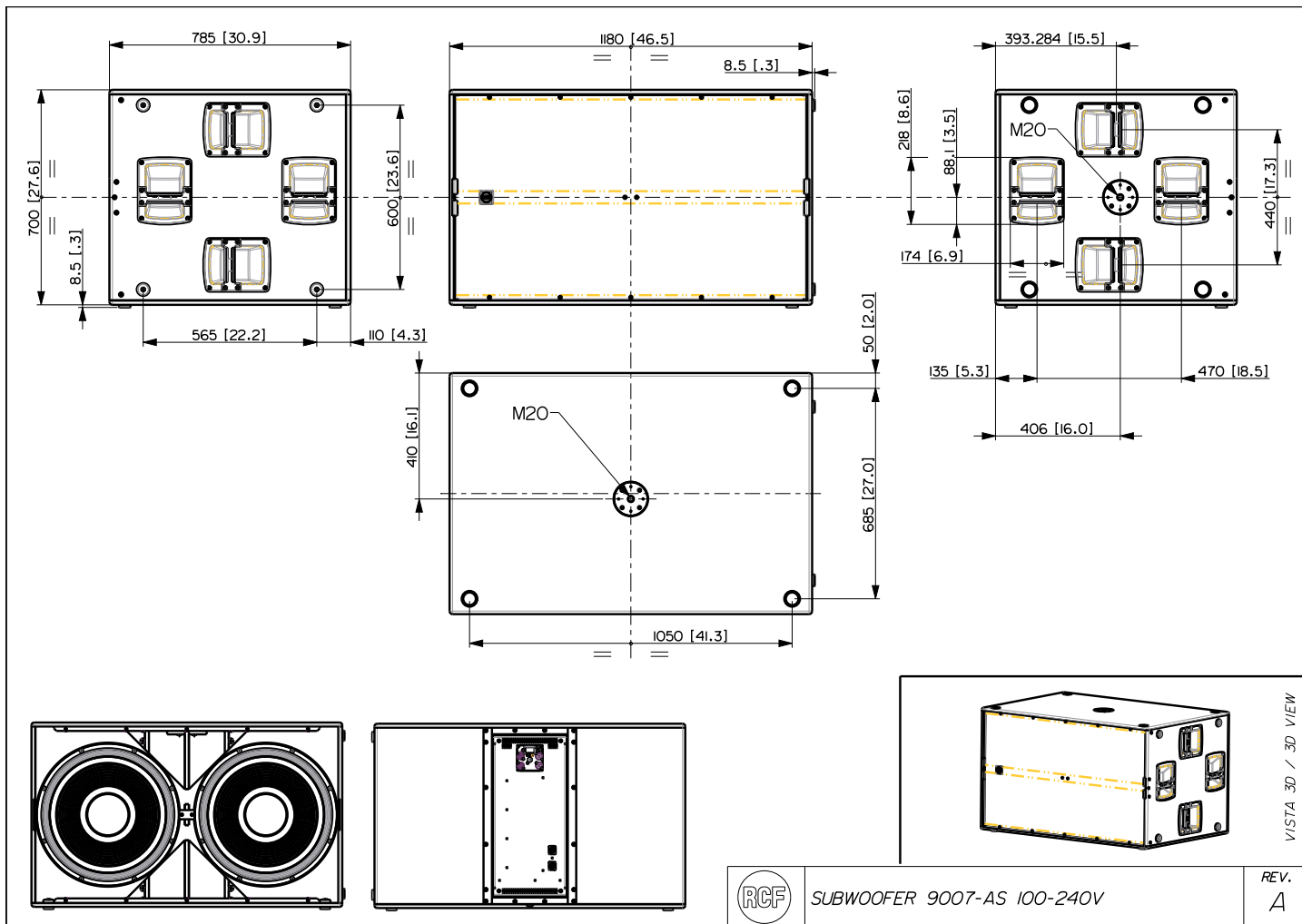
TECHNICAL SPECIFICATIONS

Acoustical specifications	Frequency Response:	20 Hz ÷ 400 Hz
	Max SPL @ 1m:	141 dB
Transducers	Woofers:	2 x 21" neo, 4.0" v.c
Input/Output section	Input signal:	bal/unbal
	Input connectors:	XLR, RDNet Ethercon
	Output connectors:	XLR, RDNet Ethercon
	Input sensitivity:	+4 dBu
Processor section	Hi-Pass Frequencies:	25Hz, 35Hz
	Low-Pass Frequencies:	Variable from 50Hz to 400Hz
	Protections:	Thermal, RMS
	Limiter:	Fast Limiter
	Controls:	Gain, EQ, Xover, Phase switch, Output Delay Settings, Cardiloid
	RDNet:	Yes
Power section	Total Power:	7200 W Peak, 3600 W RMS
	Low frequencies:	7200 W Peak, 3600 W RMS
	Cooling:	Convection
	Connections:	Powercon IN/OUT
Standard compliance	CE marking:	Yes
Physical specifications	Cabinet/Case Material:	Baltic birch plywood
	Hardware:	Mounting points, 2 x M20
	Handles:	8 side
	Grille:	Steel
	Color:	Black
Size	Height:	708 mm / 27.87 inches
	Width:	1188 mm / 46.77 inches
	Depth:	785 mm / 30.91 inches
	Weight:	96 kg / 211.64 lbs
Shipping informations	Package Height:	760 mm / 29.92 inches
	Package Width:	825 mm / 32.48 inches
	Package Depth:	1135 mm / 44.69 inches
	Package Weight:	110 kg / 242.51 lbs

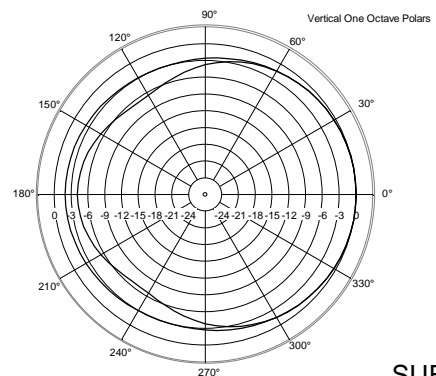
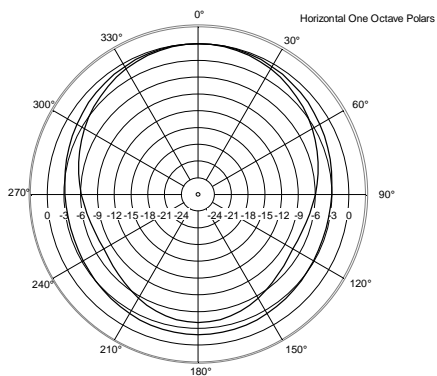
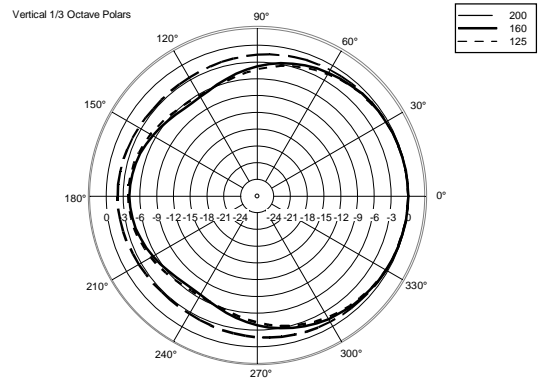
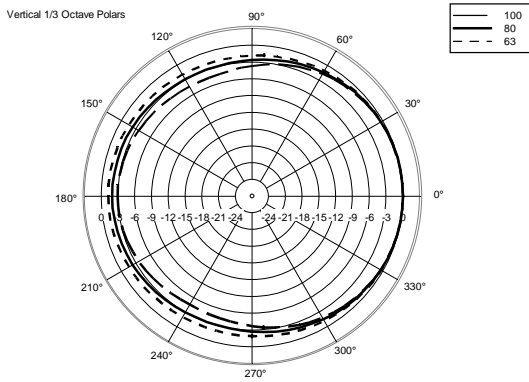
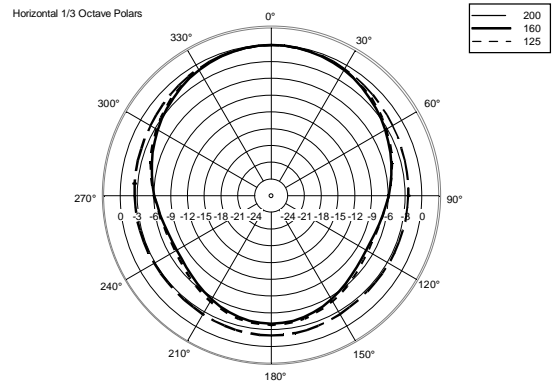
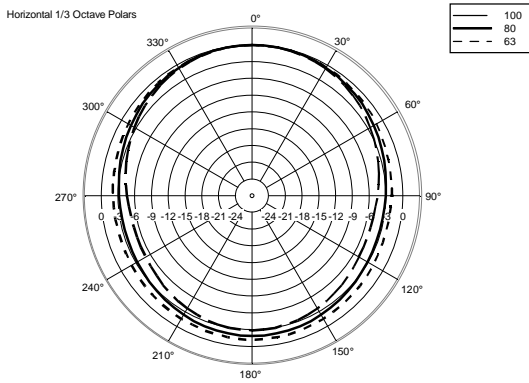
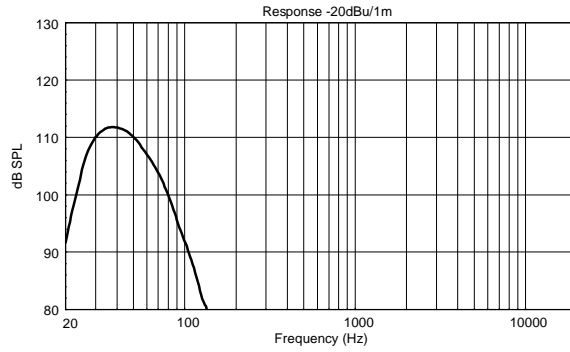


PART NUMBER

- **13000493**
SUB 9007-AS
90-240V
EAN 8024530013578



VISTA 3D / 3D VIEW



ACCESSORIES

AC CONNECTION SUB8006-AS CONN. BRACKET

PART NUMBER **13360231**
EAN: 8024530018672

AC PM-M20

PART NUMBER **13360067**
EAN: 8024530014599

AC PMX POLE MOUNT M20

PART NUMBER **13360232**
EAN: 8024530010058

AC POWER CABLE 6X TTL55

PART NUMBER **13360138**
EAN:

CABLES KIT CBL ETHERCON 0.7M

PART NUMBER **12399016**
EAN: 8024530013844

CABLES KIT CBL ETHERCON 3M

PART NUMBER **12399035**
EAN: 8024530013868

CABLES KIT CBL ETHERCON 5M

PART NUMBER **12399018**
EAN: 8024530013875

CABLES KIT CBL ETHERCON TO XLR F 0.2M

PART NUMBER **12399019**
EAN: 8024530013882

CABLES KIT CBL ETHERCON TO XLR M 0.2M

PART NUMBER **12399020**
EAN: 8024530013899



CABLES KIT CBL LK 25 MULTIPIN 10M

PART NUMBER **12399023**
EAN: 8024530013837



CABLES KIT CBL LK 25 MULTIPIN 20M

PART NUMBER **12399022**
EAN: 8024530013820



CABLES KIT CBL LKS 19 ARRAY FANOUT

PART NUMBER **12399024**
EAN: 8024530013905



CABLES KIT CBL LKS 19 BREAKOUT

PART NUMBER **12399026**
EAN: 8024530013929



CABLES KIT CBL LKS 19 POWER 10M

PART NUMBER **12399027**
EAN: 8024530013936



CABLES KIT CBL LKS 19 SUB FANOUT

PART NUMBER **12399025**
EAN: 8024530013912



CABLES KIT CBL LKS 25-2 FANOUT

PART NUMBER **12399021**
EAN: 8024530013813



CABLES KIT CBL POWER BOX 6X

PART NUMBER **13360145**
EAN: 8024530015534



CABLES KIT CBL POWERCON LINK 1.5M

PART NUMBER **12399030**
EAN: 8024530013721



CABLES KIT CBL POWERCON LINK 10M

PART NUMBER **12399028**
EAN: 8024530013707



CABLES KIT CBL POWERCON LINK 5M

PART NUMBER **12399029**
EAN: 8024530013714



COVER CVR SUB 9007

PART NUMBER **13360339**
EAN: 8024530013561



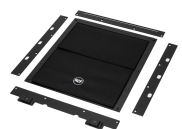
KART WITH WHEELS AC KART SUB9007-AS

PART NUMBER **13360348**
EAN: 8024530013745



LKS 19-20 POWER CABLE

PART NUMBER **13360146**
EAN: 8024530013943



RAIN PROTECTION RP 1X SUB 9007

PART NUMBER **13360352**
EAN: 8024530013790