

SUB 9006-AS

ACTIVE HIGH POWER SUBWOOFER

DESCRIPTION

The SUB 9006-AS is one of the most powerful 2x18" subwoofers in the field of live sound. Featuring two high-power hyper-vented 18" neodymium woofers with 4.0" inside-outside voice coils, this cabinet delivers a serious amount of low frequencies. Powered by a 7200 W digital amplifier, the SUB 9006-AS can perform in the most demanding situations. The housing of the SUB 9006-AS matches the RCF D-Line HDL50-A and HDL10-A array systems, enabling to build stacked systems in a perfect combination.



FEATURES

- 7200 Watt Peak power - 3600 Watt RMS
- 142 dB max SPL
- 30 Hz - 400 Hz frequency response
- 2 x 18" Woofer
- DSP controlled Input section with selectable presets
- RDNet remote control
- Delay control
- Baltic birch cabinet

TECHNICAL SPECIFICATIONS

Acoustical specifications	Frequency Response:	30 Hz ÷ 400 Hz
	Max SPL @ 1m:	142 dB
Transducers	Woofers:	2 x 18" neo, 4.0" v.c
Input/Output section	Input signal:	bal/unbal
	Input connectors:	XLR, RDNet Ethercon
	Output connectors:	XLR, RDNet Ethercon
	Input sensitivity:	+4 dBu
Processor section	Hi-Pass Frequencies:	30Hz, 40Hz
	Low-Pass Frequencies:	Variable from 50Hz to 400Hz
	Protections:	Thermal, RMS
	Limiter:	Fast Limiter
	Controls:	Gain, EQ, Preset, Phase switch, Output Delay Settings
	RDNet:	Yes
Power section	Total Power:	7200 W Peak, 3600 W RMS
	Low frequencies:	7200 W Peak, 3600 W RMS
	Cooling:	Convection/Forced
	Connections:	Powercon IN/OUT
Standard compliance	CE marking:	Yes
Physical specifications	Cabinet/Case Material:	Baltic birch plywood
	Hardware:	2 x M20
	Handles:	8 side
	Grille:	Steel
	Color:	Black
Size	Height:	558 mm / 21.97 inches
	Width:	1188 mm / 46.77 inches
	Depth:	785 mm / 30.91 inches
	Weight:	86 kg / 189.6 lbs
Shipping informations	Package Height:	600 mm / 23.62 inches
	Package Width:	835 mm / 32.87 inches
	Package Depth:	1230 mm / 48.43 inches
	Package Weight:	92 kg / 202.83 lbs



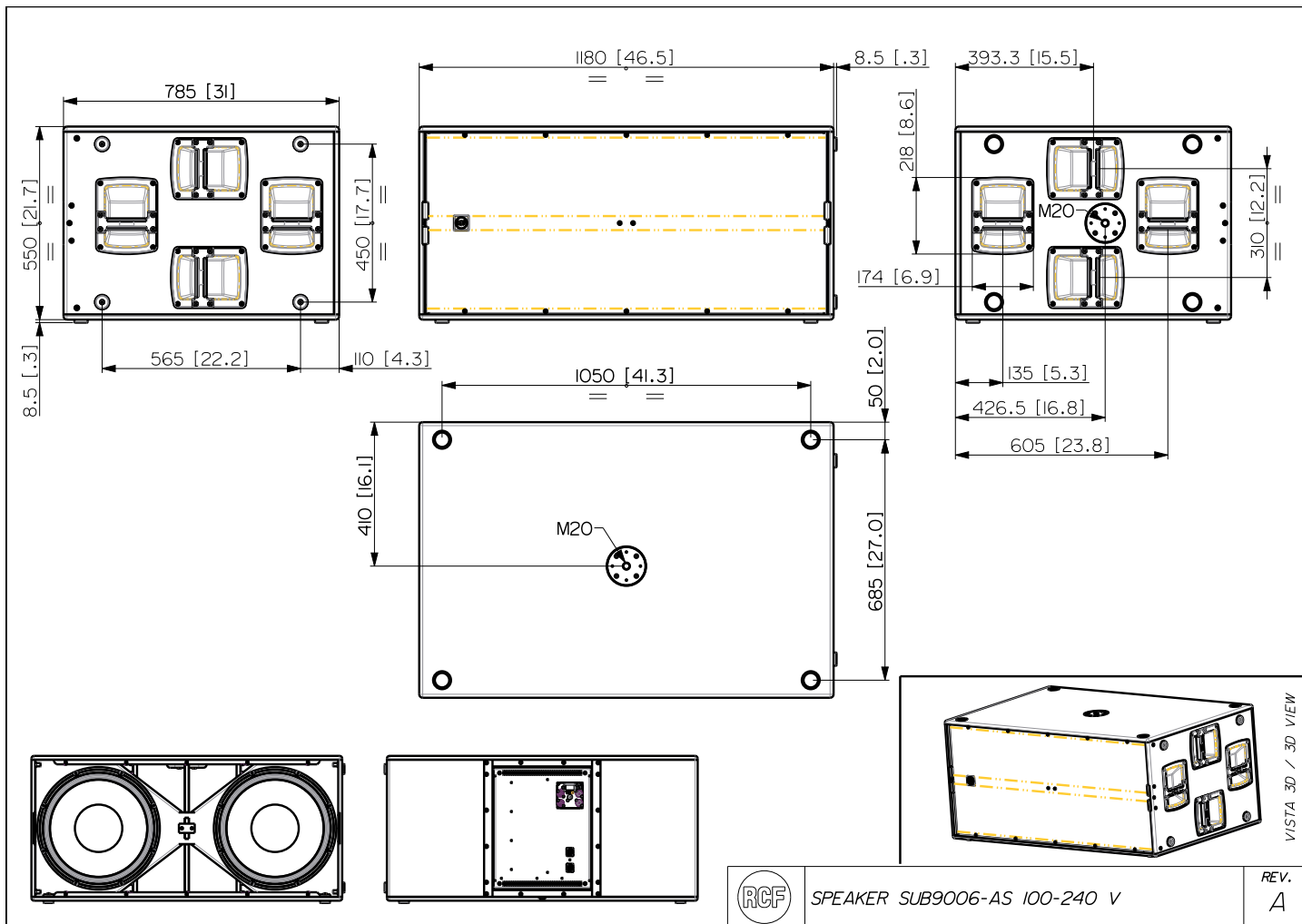
PART NUMBER

- **13000494**

SUB 9006-AS

90-240V

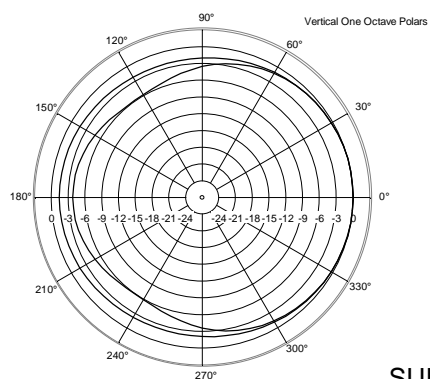
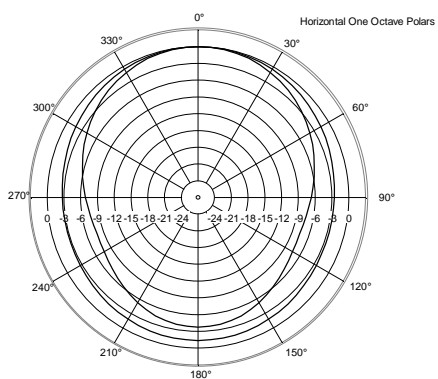
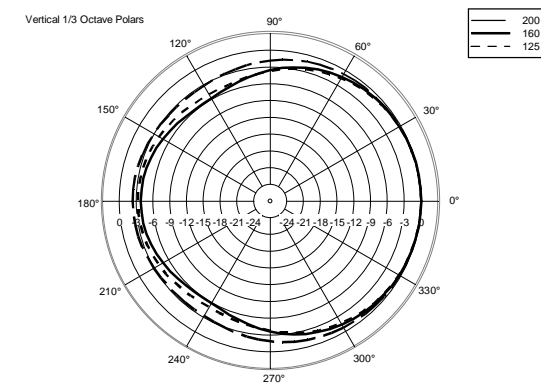
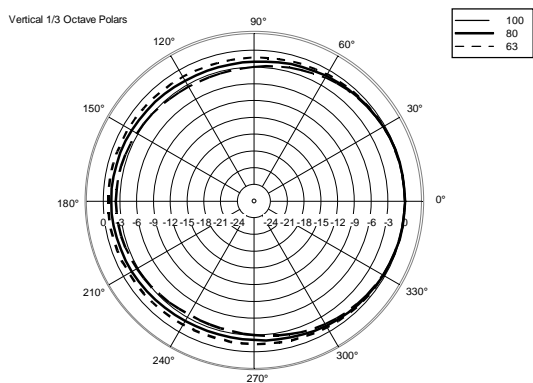
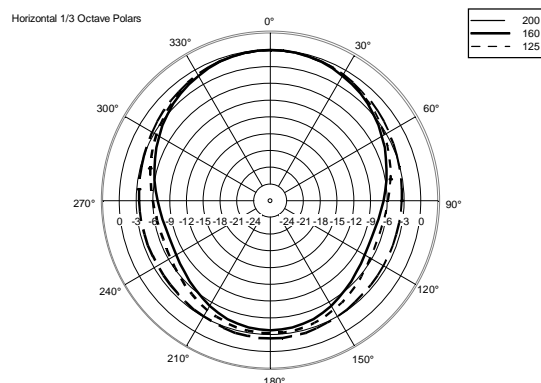
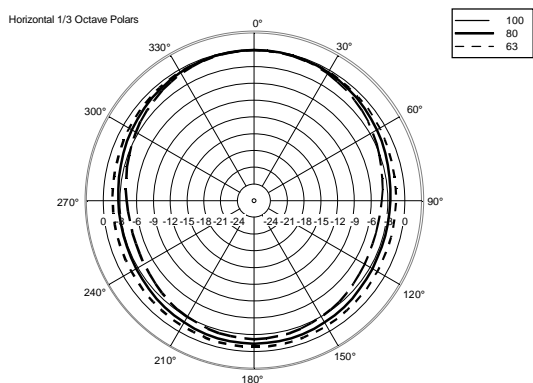
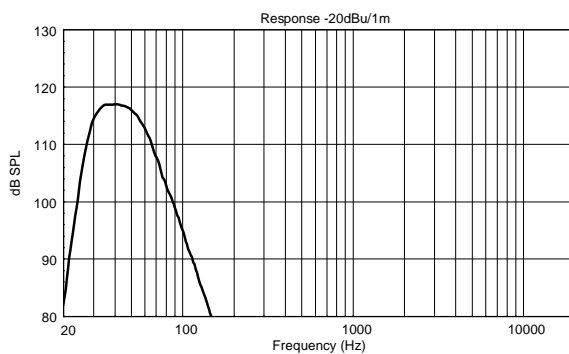
EAN 8024530014148



SPEAKER SUB9006-AS 100-240 V

REV.
A

VISTA 3D / 3D VIEW



ACCESSORIES

AC CONNECTION SUB8006-AS CONN. BRACKET

PART NUMBER **13360231**
EAN: 8024530018672

AC PM-M20

PART NUMBER **13360067**
EAN: 8024530014599

AC PMX POLE MOUNT M20

PART NUMBER **13360232**
EAN: 8024530010058

AC POWER CABLE 6X TTL55

PART NUMBER **13360138**
EAN:

CABLES KIT CBL ETHERCON 0.7M

PART NUMBER **12399016**
EAN: 8024530013844

CABLES KIT CBL ETHERCON 3M

PART NUMBER **12399035**
EAN: 8024530013868

CABLES KIT CBL ETHERCON 5M

PART NUMBER **12399018**
EAN: 8024530013875

CABLES KIT CBL ETHERCON TO XLR F 0.2M

PART NUMBER **12399019**
EAN: 8024530013882

CABLES KIT CBL ETHERCON TO XLR M 0.2M

PART NUMBER **12399020**
EAN: 8024530013899



CABLES KIT CBL LK 25 MULTIPIN 10M

PART NUMBER **12399023**
EAN: 8024530013837



CABLES KIT CBL LK 25 MULTIPIN 20M

PART NUMBER **12399022**
EAN: 8024530013820



CABLES KIT CBL LKS 19 ARRAY FANOUT

PART NUMBER **12399024**
EAN: 8024530013905



CABLES KIT CBL LKS 19 BREAKOUT

PART NUMBER **12399026**
EAN: 8024530013929



CABLES KIT CBL LKS 19 POWER 10M

PART NUMBER **12399027**
EAN: 8024530013936



CABLES KIT CBL LKS 19 SUB FANOUT

PART NUMBER **12399025**
EAN: 8024530013912



CABLES KIT CBL LKS 25-2 FANOUT

PART NUMBER **12399021**
EAN: 8024530013813



CABLES KIT CBL POWER BOX 6X

PART NUMBER **13360145**
EAN: 8024530015534



CABLES KIT CBL POWERCON LINK 1.5M

PART NUMBER **12399030**
EAN: 8024530013721



CABLES KIT CBL POWERCON LINK 10M

PART NUMBER **12399028**
EAN: 8024530013707



CABLES KIT CBL POWERCON LINK 5M

PART NUMBER **12399029**
EAN: 8024530013714



COVER CVR SUB 9006

PART NUMBER **13360363**
EAN: 8024530013776



KART WITH WHEELS KRT-WH SUB 9006

PART NUMBER **13360361**
EAN: 8024530013769



LKS 19-20 POWER CABLE

PART NUMBER **13360146**
EAN: 8024530013943



RAIN PROTECTION RP 1X SUB 9006

PART NUMBER **13360362**
EAN: 8024530013783