

SUB 8006-AS

ACTIVE HIGH POWER SUBWOOFER

DESCRIPTION

The SUB 8006-AS is the largest and most powerful active sub woofer in the professional series. Featuring two 18" transducers, with 4" inside/outside voice coils, this cabinet is designed to delivery a serious amount of low frequency. Powered by a 2500W digital amplifier module, the SUB 8006-AS can perform in the most demanding situations.



FEATURES

- 5000 Watt Peak power - 2500 Watt RMS
- 137 dB max SPL
- 30 Hz - 120 Hz frequency response
- 2 x 18" Woofer
- DSP controlled Input section with selectable presets
- Delay control
- Integrated mechanics for multiple configuration with HDL 20-A
- Baltic birch tour grade cabinet

TECHNICAL SPECIFICATIONS

Acoustical specifications	Frequency Response:	30 Hz ÷ 120 Hz
	Max SPL @ 1m:	137 dB
Transducers	Woofers:	2 x 18", 4.0" v.c
Input/Output section	Input signal:	bal/unbal
	Input connectors:	XLR
	Output connectors:	XLR
	Input sensitivity:	-2 dBu/+4 dBu
Processor section	Hi-Pass Frequencies:	100 Hz
	Low-Pass Frequencies:	80 Hz
	Protections:	Thermal, RMS
	Limiter:	Fast Limiter
	Controls:	Xover, Phase switch, Depp/Punch, Output Delay Settings, Cardioi
Power section	Total Power:	5000 W Peak, 2500 W RMS
	Low frequencies:	5000 W Peak, 2500 W RMS
	Cooling:	Convection
	Connections:	Powercon IN/OUT
Standard compliance	CE marking:	Yes
Physical specifications	Cabinet/Case Material:	Baltic birch plywood
	Hardware:	Mounting points
	Handles:	4 side
	Grille:	Steel
	Color:	Black
Size	Height:	709 mm / 27.91 inches
	Width:	1109 mm / 43.66 inches
	Depth:	700 mm / 27.56 inches
	Weight:	96.4 kg / 212.53 lbs
Shipping informations	Package Height:	763 mm / 30.04 inches
	Package Width:	1156 mm / 45.51 inches
	Package Depth:	753 mm / 29.65 inches
	Package Weight:	109 kg / 240.3 lbs

PART NUMBER

- **13000373**

SUB 8006-AS

115V

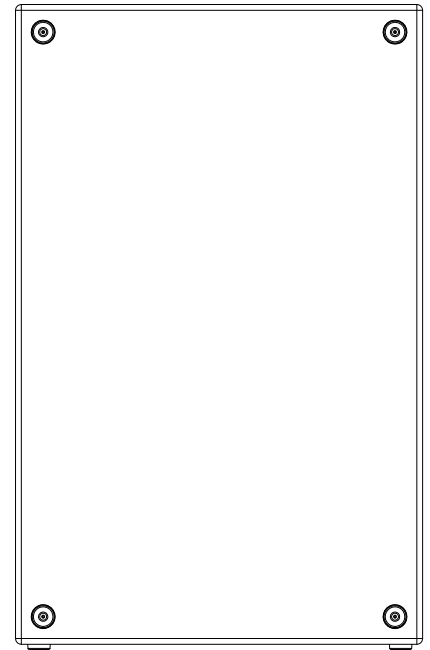
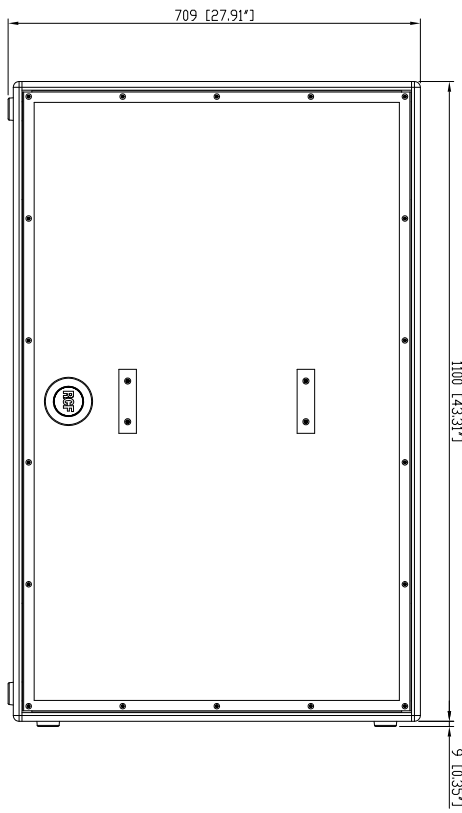
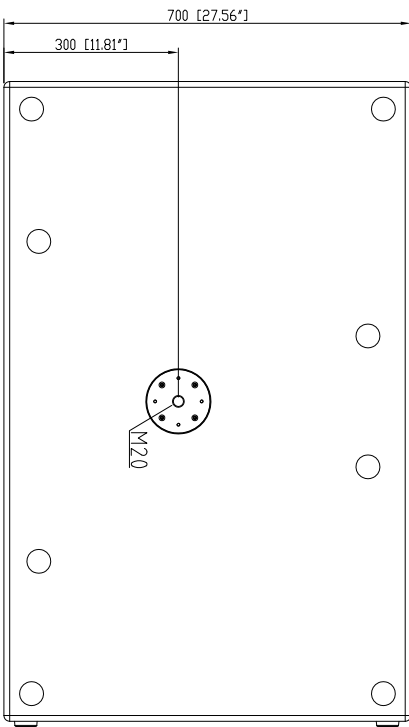
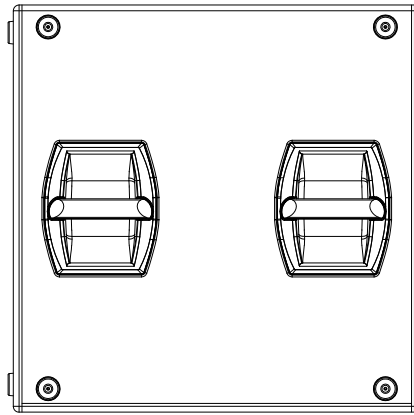
EAN 8024530009861

- **13000372**

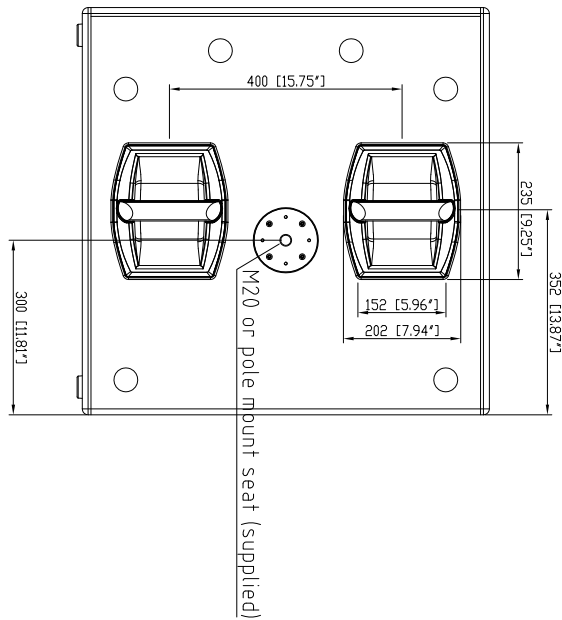
SUB 8006-AS

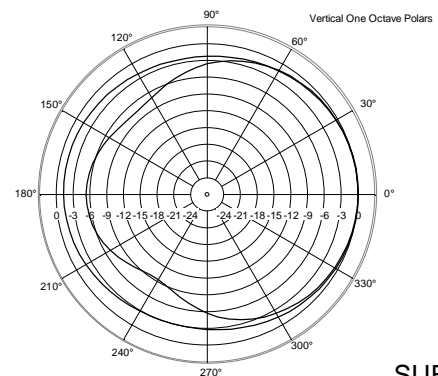
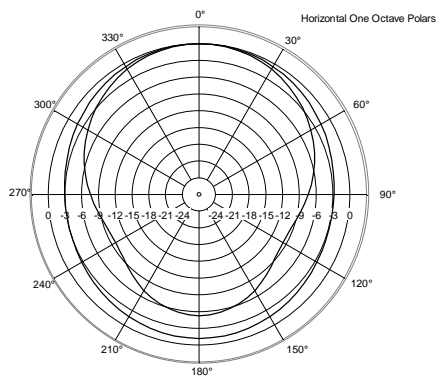
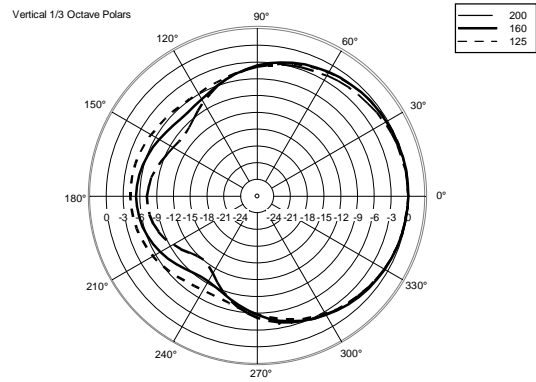
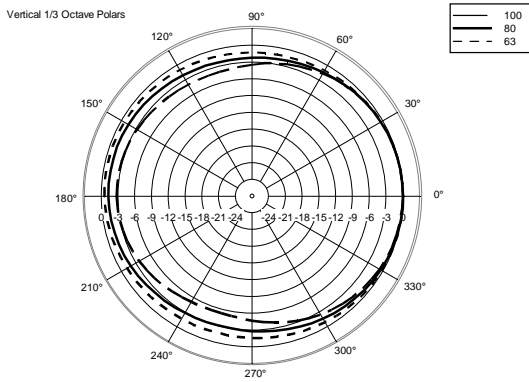
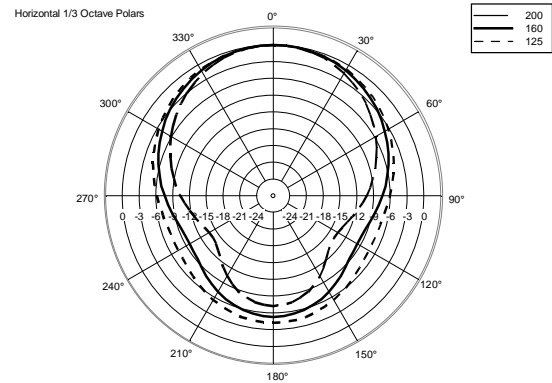
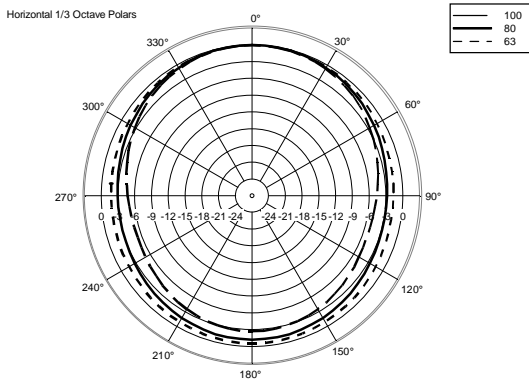
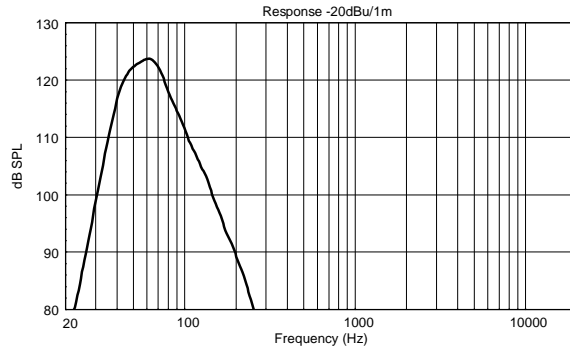
220-240V

EAN 8024530009854



SUB8006-AS





ACCESSORIES

AC CONNECTION SUB8006-AS CONN. BRACKET

PART NUMBER
EAN:**13360231**

AC PMA - POLE MOUNT

PART NUMBER
EAN:**13360034**

8024530007713



AC PM-M20

PART NUMBER
EAN:**13360067**

8024530014599



AC PMX POLE MOUNT M20

PART NUMBER
EAN:**13360232**

8024530010058



AC POWER CABLE 6X TTL55

PART NUMBER
EAN:**13360138**

CABLES KIT CBL LK 25 MULTIPIN 10M

PART NUMBER
EAN:**12399023**

8024530013837



CABLES KIT CBL LK 25 MULTIPIN 20M

PART NUMBER
EAN:**12399022**

8024530013820



CABLES KIT CBL LKS 19 ARRAY FANOUT

PART NUMBER
EAN:**12399024**

8024530013905



CABLES KIT CBL LKS 19 BREAKOUT

PART NUMBER
EAN:**12399026**

8024530013929



CABLES KIT CBL LKS 19 POWER 10M

PART NUMBER **12399027**
EAN: 8024530013936



CABLES KIT CBL LKS 19 SUB FANOUT

PART NUMBER **12399025**
EAN: 8024530013912



CABLES KIT CBL LKS 25-2 FANOUT

PART NUMBER **12399021**
EAN: 8024530013813



COVER CVR SUB 8006

PART NUMBER **13360242**
EAN: 8024530011697



LKS 19-20 POWER CABLE

PART NUMBER **13360146**
EAN: 8024530013943



PRO SWIVEL WHEELS KIT

PART NUMBER **13360238**
EAN: 8024530018320



RAIN PROTECTION RP 1X SUB 8006

PART NUMBER **13360233**
EAN: 8024530014520