

# SUB 8003-AS II

## ACTIVE SUBWOOFER

### DESCRIPTION

The SUB 8003-AS II active subwoofer features the latest generation of RCF woofer technology, digital amplifiers and DSP processing with higher power and enhanced performance. It offers the perfect blend of bass reproduction, high SPL and compact dimensions for mobile use by bands and DJs.



### FEATURES

- 2200 W
- 135 dB max SPL
- 35 Hz - 120 Hz frequency response
- 18" Woofer, 4.0" v.c.
- Selectable gain, X-over and delay
- Birch tour grade cabinet
- Stereo XLR input, Stereo XLR signal output

## TECHNICAL SPECIFICATIONS

<b>Acoustical specifications</b>	Frequency Response:	35 Hz ÷ 120 Hz
	Max SPL @ 1m:	135 dB
<b>Transducers</b>	Woofers:	18", 4.0" v.c
<b>Input/Output section</b>	Input signal:	bal/unbal
	Input connectors:	XLR
	Output connectors:	XLR
	Input sensitivity:	-2 dBu/+4 dBu
<b>Processor section</b>	Crossover Frequencies:	Selectable
	Protections:	Thermal, RMS
	Controls:	Gain, EQ, Phase, Xover, Delay, Cardioid
<b>Power section</b>	Total Power:	2200 W Peak, 1100 W RMS
	Low frequencies:	2200 W Peak, 1100 W RMS
	Cooling:	Convection
	Connections:	Powercon IN/OUT
<b>Standard compliance</b>	CE marking:	Yes
<b>Physical specifications</b>	Cabinet/Case Material:	Baltic birch plywood
	Handles:	2 side
	Pole mount/Cap:	Yes
	Grille:	Steel
	Color:	Black
<b>Size</b>	Height:	694 mm / 27.32 inches
	Width:	523 mm / 20.59 inches
	Depth:	700 mm / 27.56 inches
	Weight:	42 kg / 92.59 lbs
<b>Shipping informations</b>	Package Height:	745 mm / 29.33 inches
	Package Width:	760 mm / 29.92 inches
	Package Depth:	580 mm / 22.83 inches
	Package Weight:	51 kg / 112.44 lbs

## PART NUMBER

- **13000433**

SUB 8003-AS II

115V

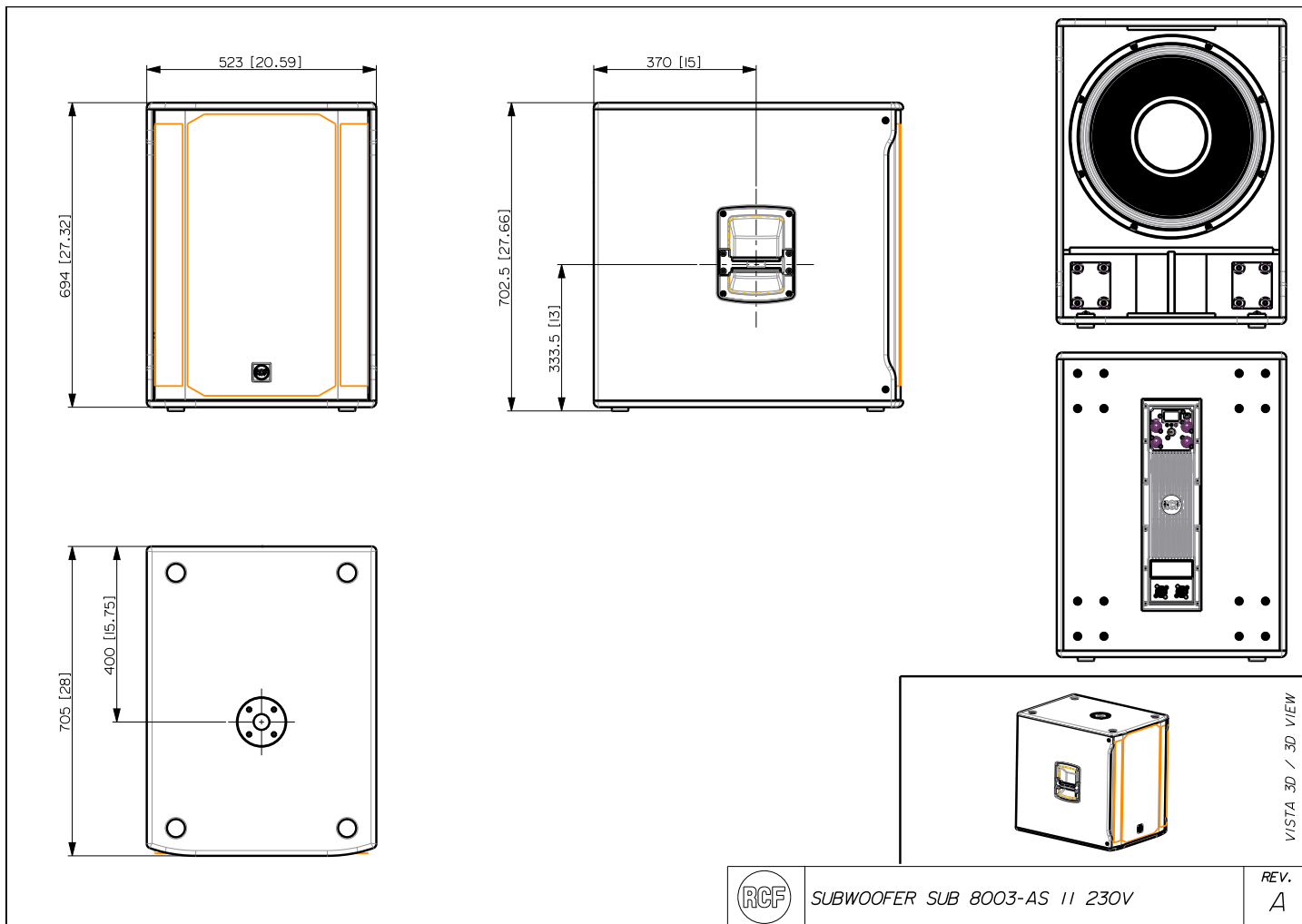
EAN 8024530014452

- **13000432**

SUB 8003-AS II

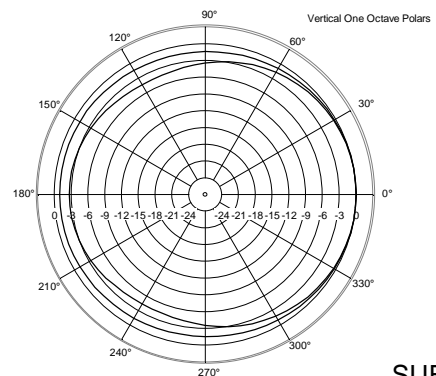
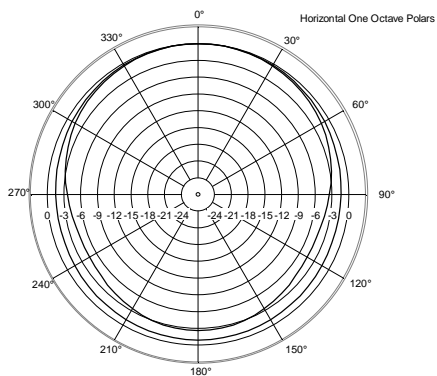
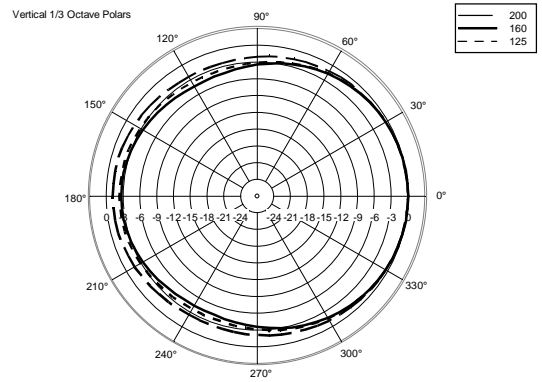
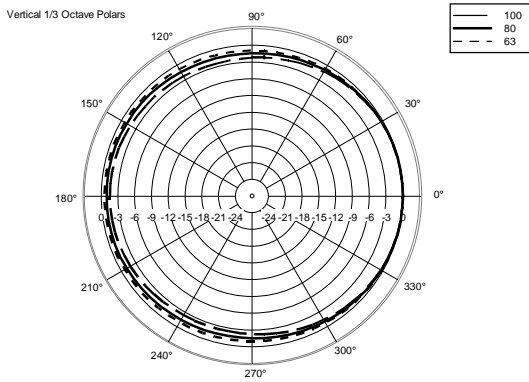
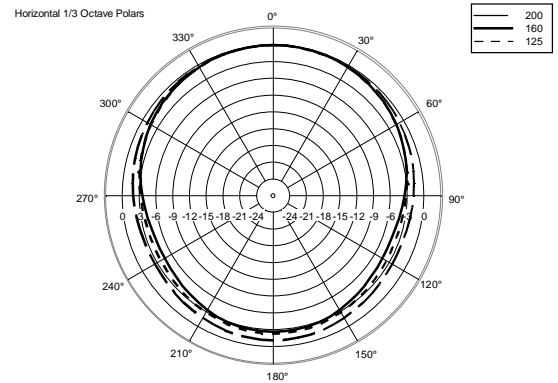
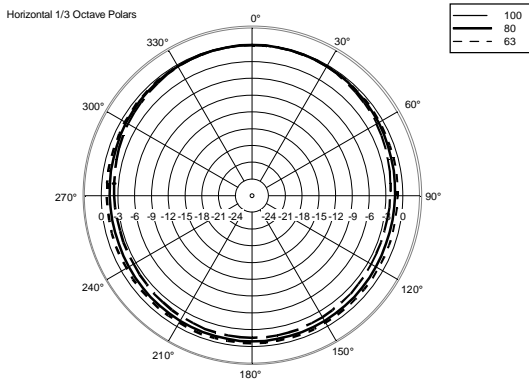
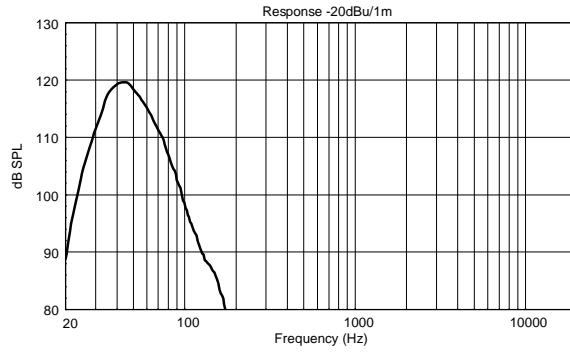
220-240V

EAN 8024530014513



SUBWOOFER SUB 8003-AS II 230V

REV. A



**ACCESSORIES**

AC M20-PLATE

PART NUMBER **13360066**  
EAN:

AC PMA - POLE MOUNT

PART NUMBER **13360034**  
EAN: 8024530007713

AC PRO-PM PROFESS. LOCKING POLE MOUNT

PART NUMBER **13360110**  
EAN: 8024530006488

COVER CVR SUB 708 II

PART NUMBER **13360323**  
EAN: 8024530013417

PRO SWIVEL WHEELS KIT

PART NUMBER **13360238**  
EAN: 8024530018320