

SUB 708-AS II

ACTIVE SUBWOOFER

DESCRIPTION

Thanks to the powerful 18" woofer, with 3.0" voice coil, and the 1400-Watt amplifier, the SUB 708-AS II is the perfect tool to increase the low end performance of a portable PA system, both in terms of output and frequency extension. Thanks to the built-in digital stereo crossover (DSP) with adjustable crossover frequency it can be easily and quickly set up as a satellite speaker system. The SUB 708-AS II perfectly match 12" or 15" satellite speakers. The SUB 708-AS II is the ideal companion subwoofer the RCF ART 3, ART 7 or D-Line Series.



FEATURES

- 1400 Watt Digital Amplifier
- 18" Woofer, bass reflex housing
- Stereo crossover
- Switchable crossover frequencies
- Phase-reverse switch
- Electronic equalization, soft limiter and protection
- Stereo XLR input, Stereo XLR signal output

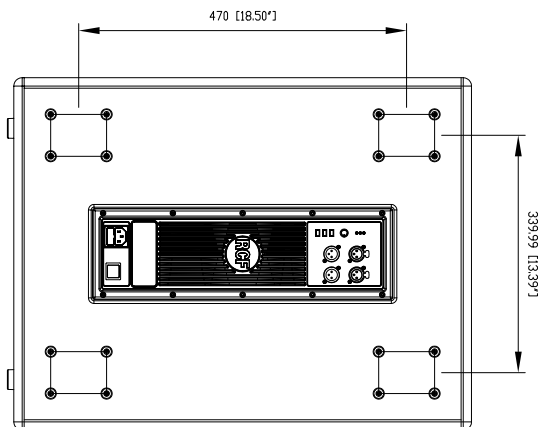
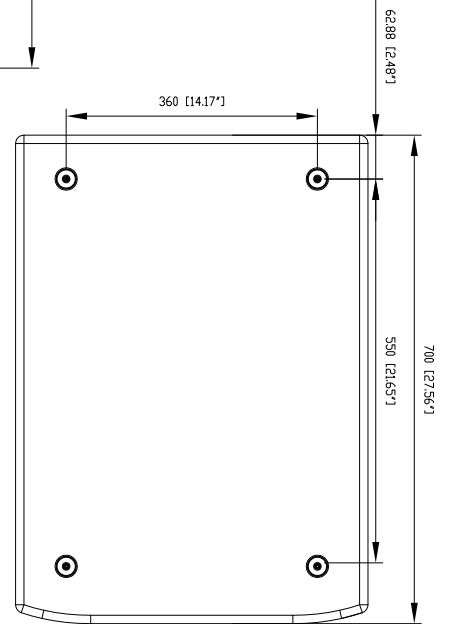
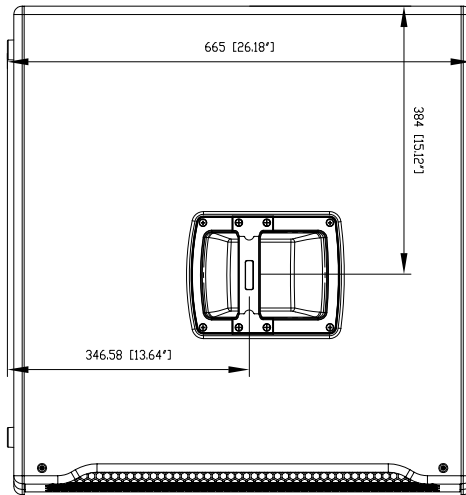
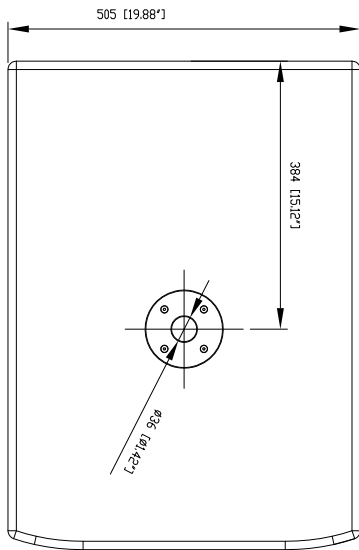
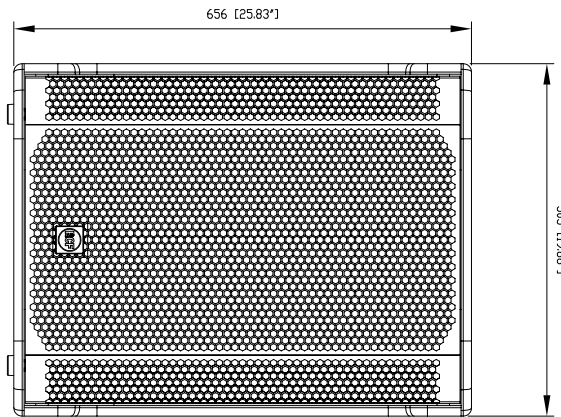
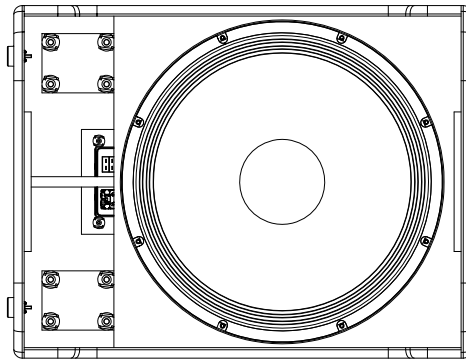
TECHNICAL SPECIFICATIONS

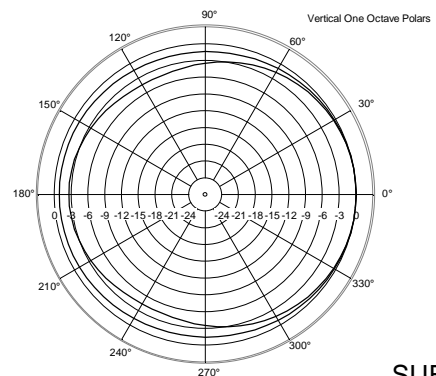
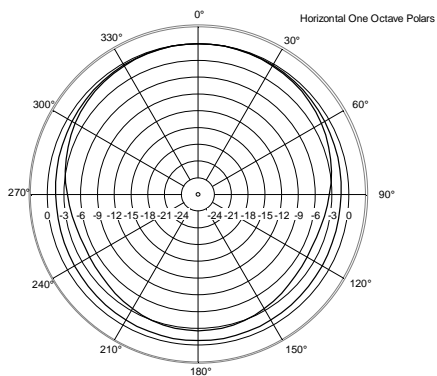
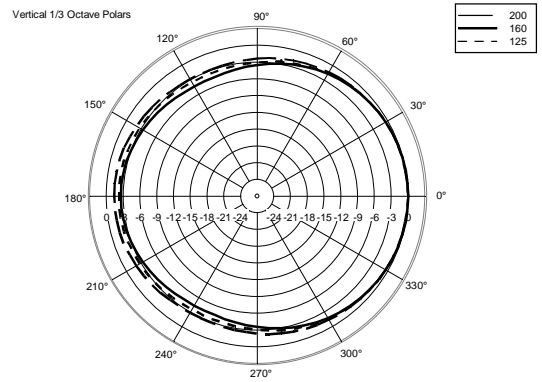
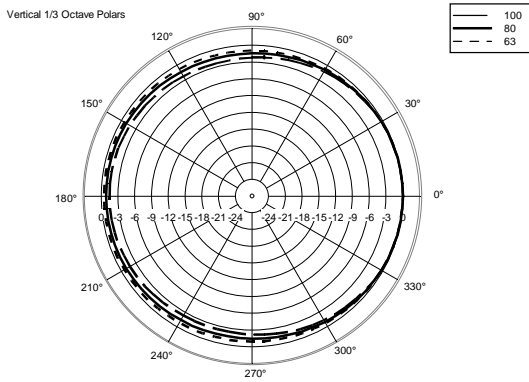
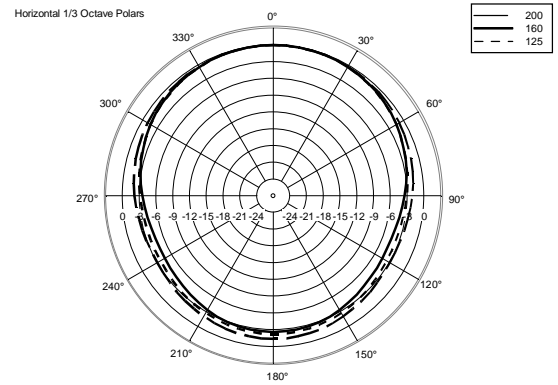
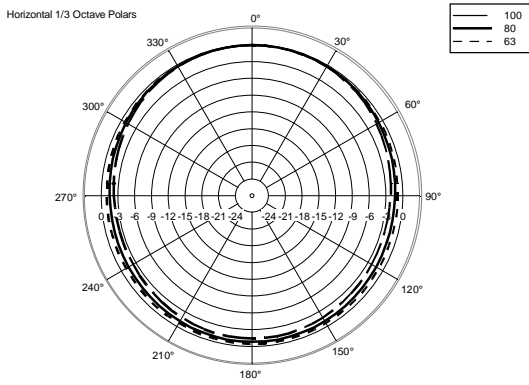
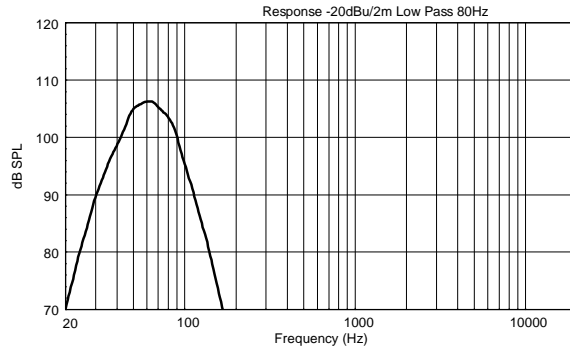
Acoustical specifications	Frequency Response:	35 Hz ÷ 120 Hz
	Max SPL @ 1m:	133 dB
Transducers	Woofers:	18", 3.0" v.c
Input/Output section	Input signal:	bal/unbal
	Input connectors:	XLR
	Output connectors:	XLR
	Input sensitivity:	-2 dBu/+4 dBu
Processor section	Hi-Pass Frequencies:	110 Hz
	Low-Pass Frequencies:	80 Hz
	Protections:	Thermal, RMS
	Limiter:	Soft Limiter
	Controls:	Volume, EQ, Phase, Xover
Power section	Total Power:	1400 W Peak, 700 W RMS
	Low frequencies:	1400 W Peak, 700 W RMS
	Cooling:	Convection
	Connections:	VDE
Standard compliance	CE compliance:	Yes
Physical specifications	Cabinet/Case Material:	Baltic birch plywood
	Handles:	2 side
	Pole mount/Cap:	Yes
	Grille:	Steel
	Color:	Black
Size	Height:	665 mm / 26.18 inches
	Width:	505 mm / 19.88 inches
	Depth:	700 mm / 27.56 inches
	Weight:	37.6 kg / 82.89 lbs
Shipping informations	Package Height:	702 mm / 27.64 inches
	Package Width:	557 mm / 21.93 inches
	Package Depth:	752 mm / 29.61 inches
	Package Weight:	44 kg / 97 lbs

PART NUMBER

- | | |
|-------------------|-------------------|
| • 13000458 | • 13000457 |
| SUB 708-AS II | SUB 708-AS II |
| 115V | 220-240V |
| EAN 8024530012960 | EAN 8024530012908 |

SUB 708-AS II





ACCESSORIES

AC M20-PLATE

PART NUMBER **13360066**
EAN: 8024530020156



AC PMA - POLE MOUNT

PART NUMBER **13360034**
EAN: 8024530007713



AC PRO-PM PROFESS. LOCKING POLE MOUNT

PART NUMBER **13360110**
EAN: 8024530006488



COVER CVR SUB 708 II

PART NUMBER **13360323**
EAN: 8024530013417



PRO SWIVEL WHEELS KIT

PART NUMBER **13360238**
EAN: 8024530018320