

NX 15-SMA

ACTIVE COAXIAL STAGE MONITOR

DESCRIPTION

The NX 15-SMA is equipped with new high power 700 W digital amplifier and a newly designed 15" coaxial neodymium transducer that guarantees outstanding audio quality and definition as well as an extremely lightweight of the final system.

The NX 15-SMA can be also used as a portable PA system, thanks to the rugged powder coated steel pole mount installed on the side. In order to control the response of the speaker in such different applications, RCF has incorporated two special Equalization Modes:- Floor, for stage monitoring; Free Field, for the use of the speakers as a stand-alone PA system. Cabinet is made in Baltic Birch plywood, finished with an extremely resistant paint for an extensive use on the road. An ergonomic side handle, integrated with the input panel, is provided for an easier transport of the speaker.



FEATURES

- 1400 Watt Peak, 700 Watt RMS digital bi-amplification
- 130 dB max spl
- 60° x 60° constant directivity horn
- 15" High power neodymium woofer, 2.5" voice coil
- 1.7" kapton dome, 1" exit, neodymium high frequency driver
- DSP processing, floor - free field equalization, soft limiter and protection
- Combo xlr/jack input, xlr signal output

TECHNICAL SPECIFICATIONS

Acoustical specifications	Frequency Response:	50 Hz ÷ 20000 Hz
	Max SPL @ 1m:	130 dB
	Horizontal coverage angle:	60°
	Vertical coverage angle:	60°
Transducers	Compression Driver:	Coaxial 1.0" neo, 1.75" v.c
	Woofers:	Coaxial 15" neo, 2.5" v.c
Input/Output section	Input signal:	bal/unbal
	Input connectors:	XRL, Jack
	Output connectors:	XLR
	Input sensitivity:	+4 dBu
Processor section	Crossover Frequencies:	1700 Hz
	Protections:	RMS, HF
	Limiter:	Soft Limiter
	Controls:	Freefield, floor
Power section	Total Power:	1400 W Peak, 700 W RMS
	High frequencies:	400 W Peak, 200 W RMS
	Low frequencies:	1000 W Peak, 500 W RMS
	Cooling:	Convection
	Connections:	Powercon IN/OUT
Standard compliance	CE marking:	Yes
Physical specifications	Cabinet/Case Material:	Baltic birch plywood
	Handles:	1 on side
	Pole mount/Cap:	Yes
	Grille:	Steel
	Color:	Black
Size	Height:	362 mm / 14.25 inches
	Width:	650 mm / 25.59 inches
	Depth:	468 mm / 18.43 inches
	Weight:	20.2 kg / 44.53 lbs
Shipping informations	Package Height:	714 mm / 28.11 inches
	Package Width:	464 mm / 18.27 inches
	Package Depth:	569 mm / 22.4 inches
	Package Weight:	24.5 kg / 54.01 lbs



PART NUMBER

- **13000261**

NX 15-SMA

115V

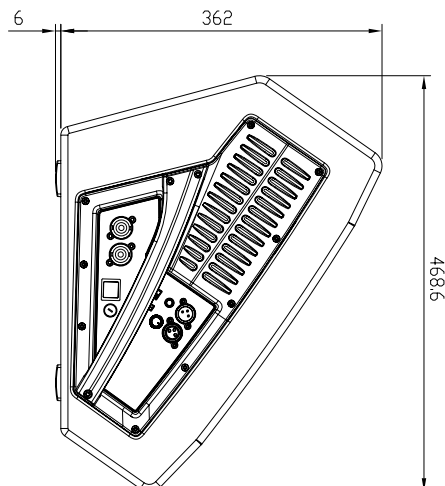
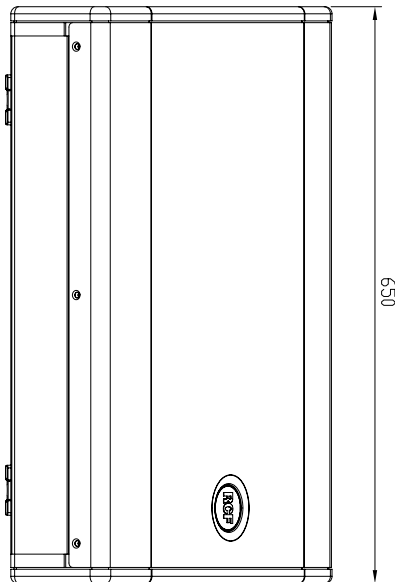
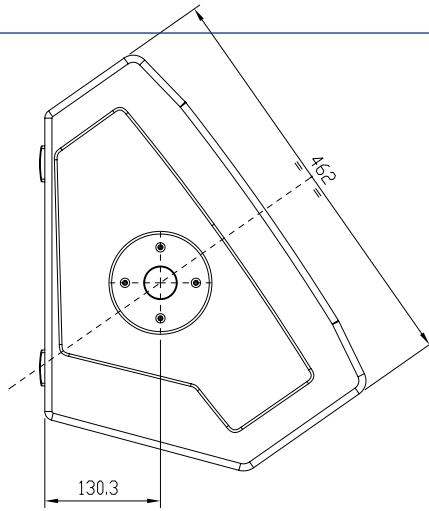
EAN 8024530009045

- **13000260**

NX 15-SMA

220-240V

EAN 8024530009038



ACCESSORIES

AC PMA - POLE MOUNT

PART NUMBER **13360034**
EAN: 8024530007713

AC PM-M20

PART NUMBER **13360067**
EAN: 8024530014599

AC PMX POLE MOUNT M20

PART NUMBER **13360232**
EAN: 8024530010058

AC PRO-FS PROFESS. LOCKING FLOOR STAND

PART NUMBER **13360109**
EAN: 8024530006471

AC PRO-PM PROFESS. LOCKING POLE MOUNT

PART NUMBER **13360110**
EAN: 8024530006488

COVER CVR NX15-SMA

PART NUMBER **13360174**
EAN: 8024530012595