

HD 15-A

ACTIVE TWO-WAY SPEAKER

DESCRIPTION

The HD 15-A is a unique product in its category. The professional compression driver with custom designed dome and high-power voice coil offers exceptional vocal clarity and sound projection. The 15" high power woofer offers an extremely linear response and a precise, deep low-frequency control. The amplifier delivers 1400 watts and is controlled by a powerful DSP that takes care of crossover, equalization, FiRPHASE, soft limiting and speaker protection.



FEATURES

- 130 dB Max SPL
- 1400 Watts 2-way peak power
- DSP Processing with FiRPHASE
- 1.0" Compression Driver, 1.75" v.c.
- 15" Woofer, high power
- Lightweight Composite Cabinet
- 90°x60°, wide dispersion constant directivity horn
- Silent Fanless Class-D Amplifier

TECHNICAL SPECIFICATIONS

Acoustical specifications	Frequency Response:	45 Hz ÷ 20000 Hz
	Max SPL @ 1m:	130 dB
	Horizontal coverage angle:	90°
	Vertical coverage angle:	60°
Transducers	Compression Driver:	1.0", 1.75" v.c
	Woofers:	15", 2.5" v.c
Input/Output section	Input signal:	bal/unbal
	Input connectors:	XLR, Jack
	Output connectors:	XLR
	Input sensitivity:	-2 dBu/+4 dBu
	Mic. Input Sensitivity:	-32 dBu
Processor section	Crossover Frequencies:	1800 Hz
	Protections:	Thermal, RMS
	Limiter:	Soft Limiter
	Controls:	Volume, Boost, Mic/Line
Power section	Total Power:	1400 W Peak, 700 W RMS
	High frequencies:	400 W Peak, 200 W RMS
	Low frequencies:	1000 W Peak, 500 W RMS
	Cooling:	Convection
	Connections:	VDE
Standard compliance	CE marking:	Yes
Physical specifications	Cabinet/Case Material:	PP Composite
	Hardware:	1 x M10 top, 1 x M10 bottom, 2 x M10 side
	Handles:	1 Top, 2 Side
	Grille:	Steel
	Color:	Black
Size	Height:	714 mm / 28.11 inches
	Width:	442 mm / 17.4 inches
	Depth:	397 mm / 15.63 inches
	Weight:	22 kg / 48.5 lbs
Shipping informations	Package Height:	700 mm / 27.56 inches
	Package Width:	450 mm / 17.72 inches
	Package Depth:	500 mm / 19.69 inches
	Package Weight:	24.5 kg / 54.01 lbs



PART NUMBER

• **13000590**

HD 15-A

115V

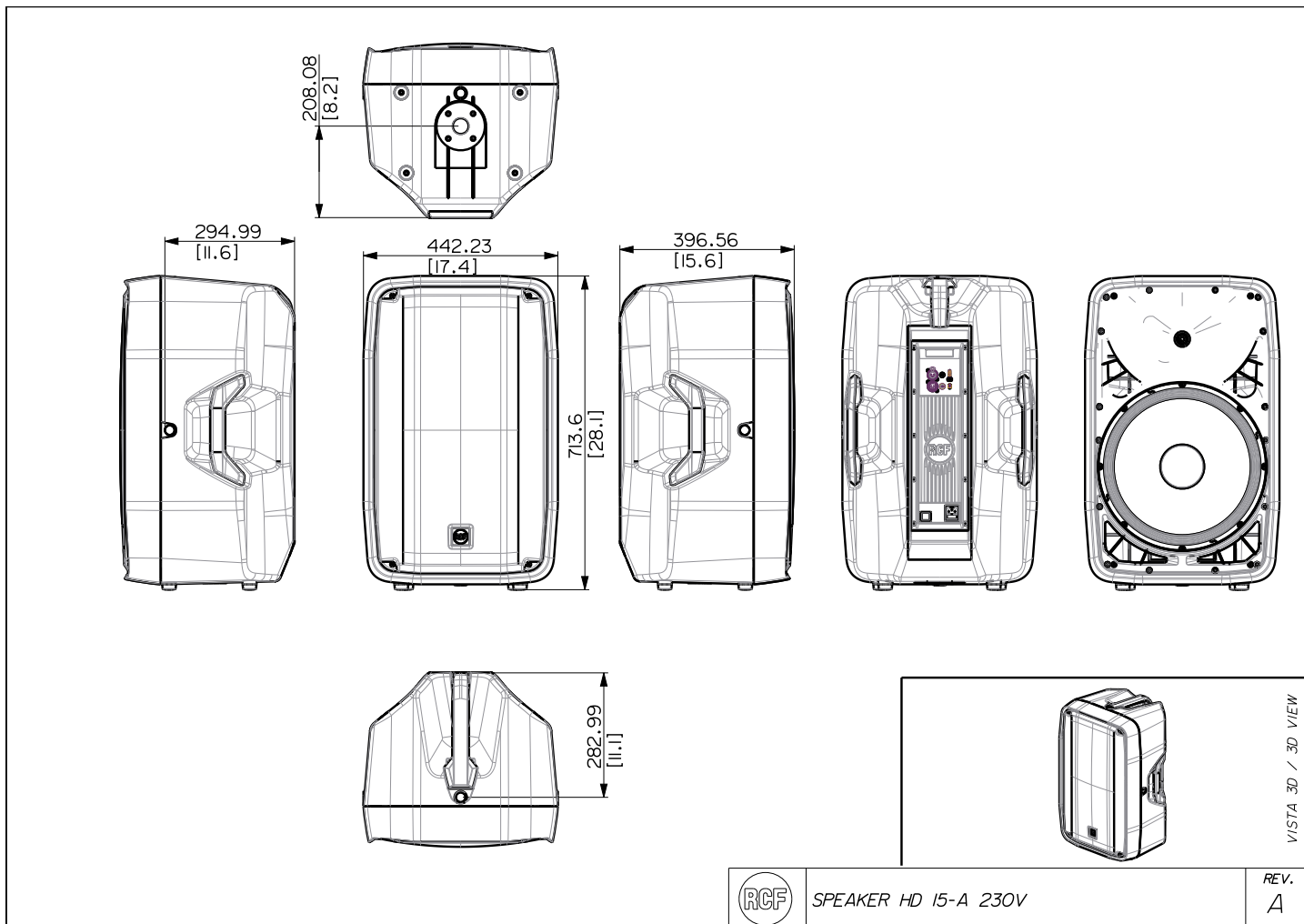
EAN 8024530016678

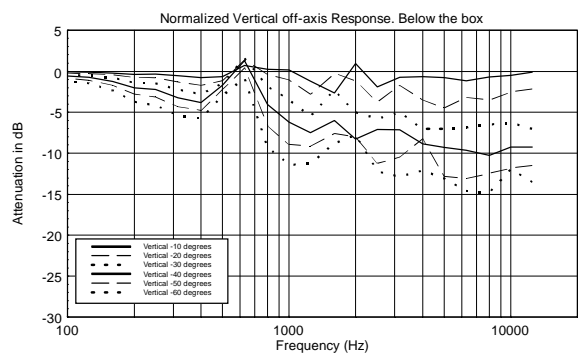
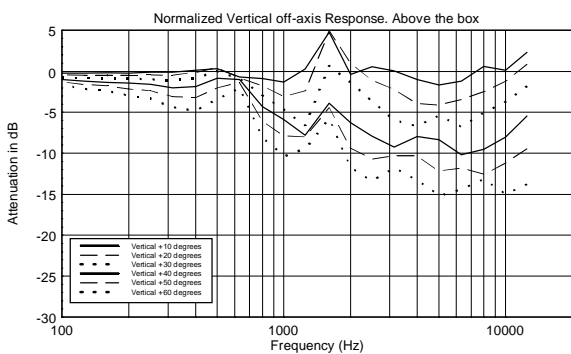
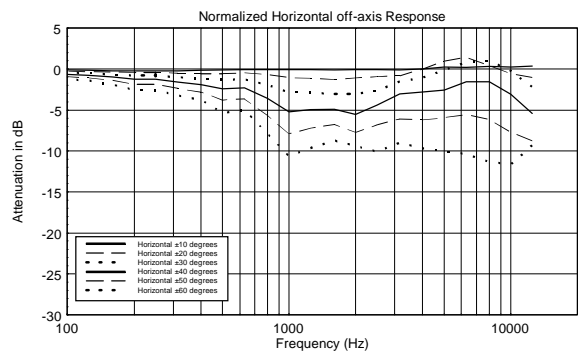
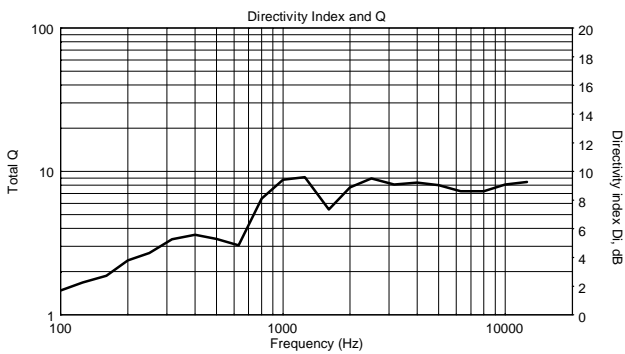
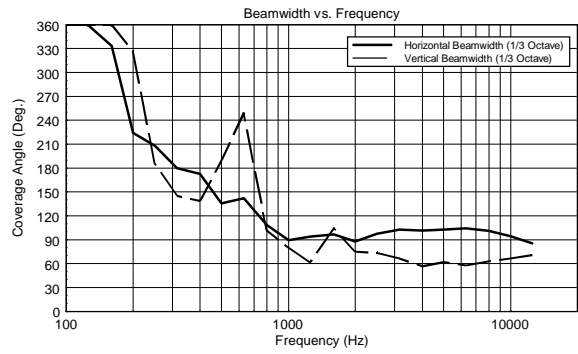
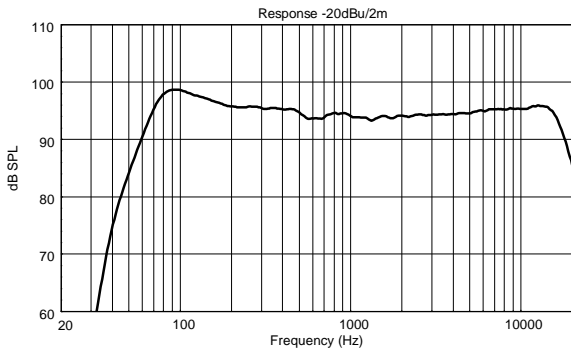
• **13000589**

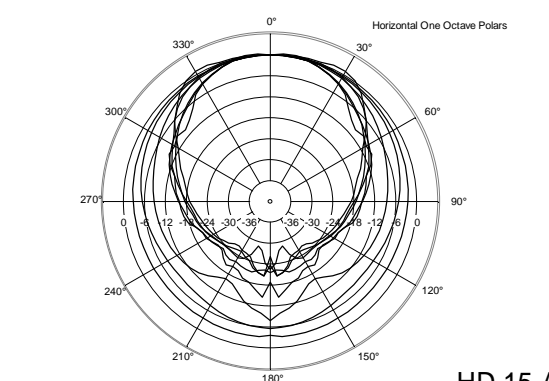
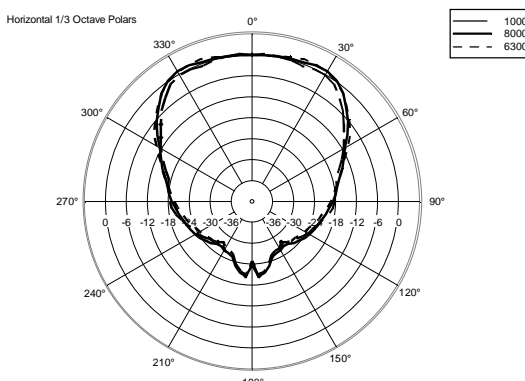
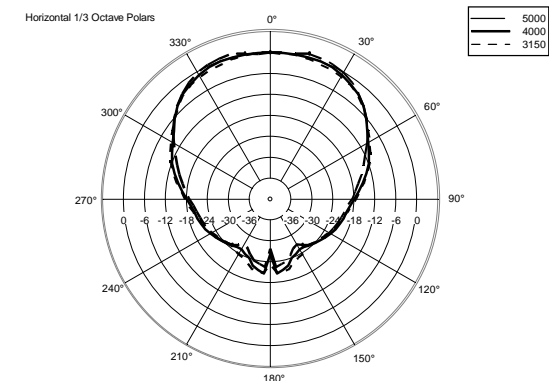
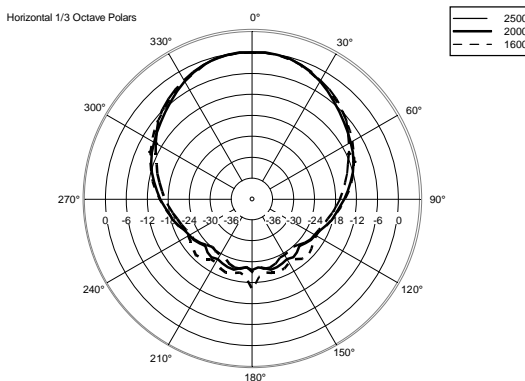
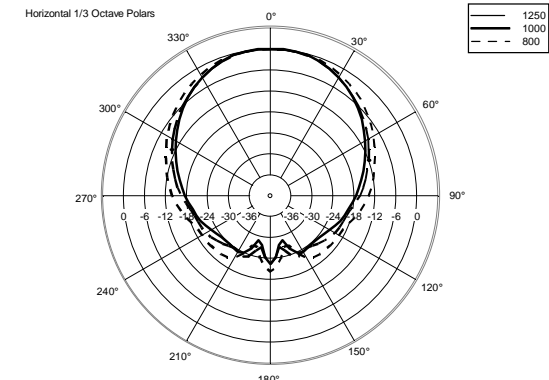
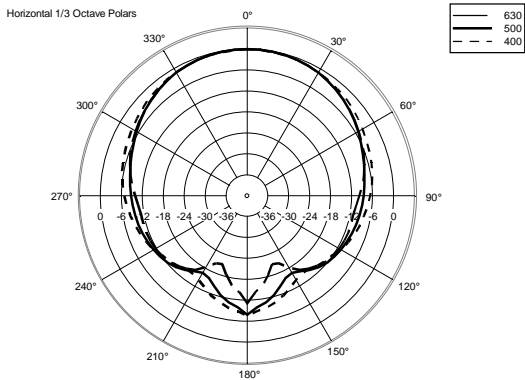
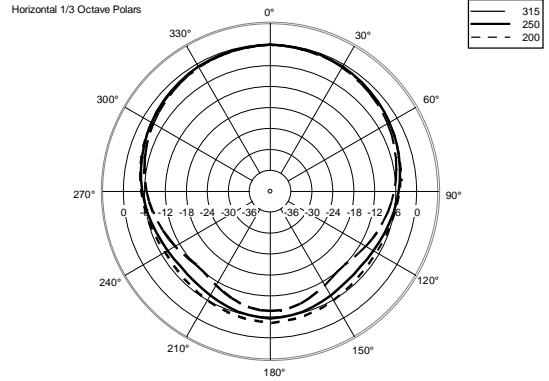
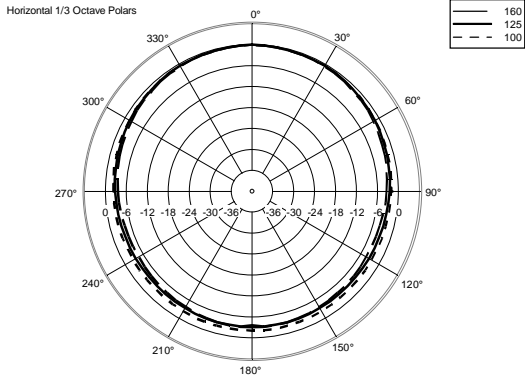
HD 15-A

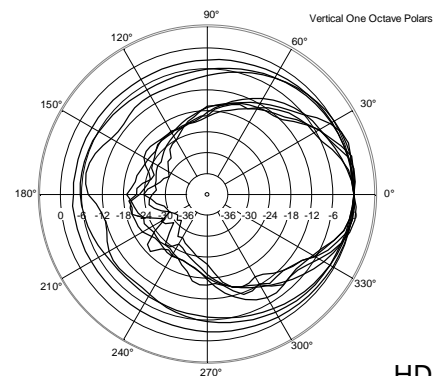
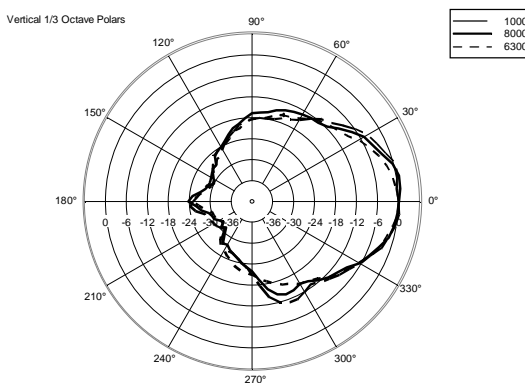
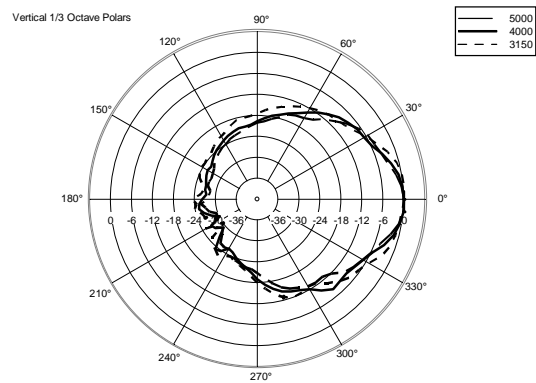
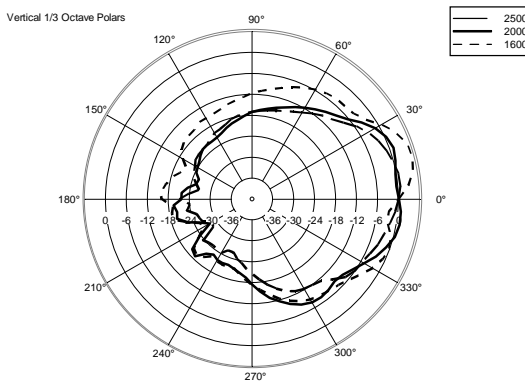
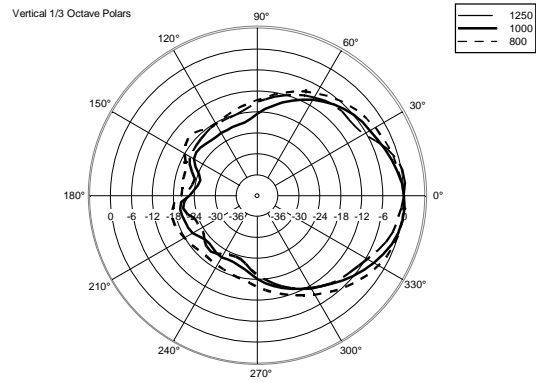
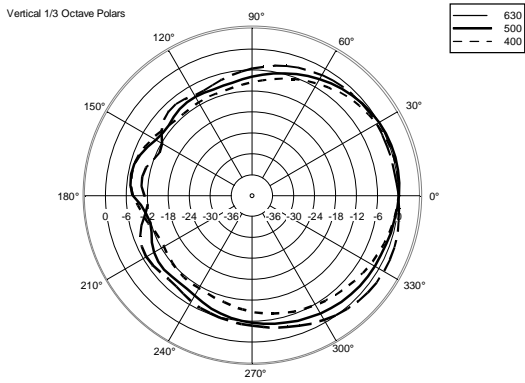
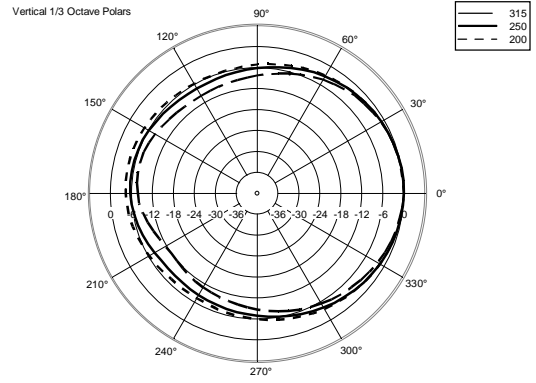
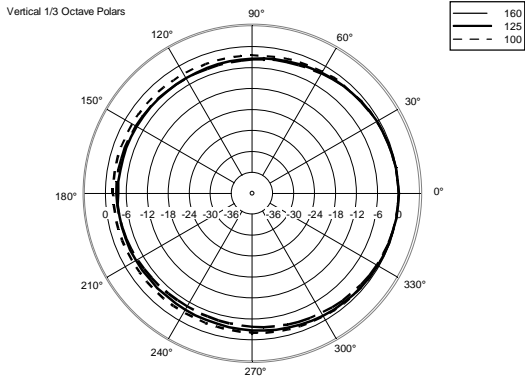
220-240V

EAN 8024530016647









ACCESSORIES

AC PMA - POLE MOUNT

PART NUMBER **13360034**
EAN: 8024530007713

AC PM-M20

PART NUMBER **13360067**
EAN: 8024530014599

AC PMX POLE MOUNT M20

PART NUMBER **13360232**
EAN: 8024530010058

AC PRO-FS PROFESS. LOCKING FLOOR STAND

PART NUMBER **13360109**
EAN: 8024530006471

AC PRO-PM PROFESS. LOCKING POLE MOUNT

PART NUMBER **13360110**
EAN: 8024530006488

COVER CVR HD 15

PART NUMBER **13360438**
EAN: 8024530016708

KIT EYEBOLT 4 X

PART NUMBER **13360031**
EAN: 8024530018870