

HL 35-S

FLYABLE SUBWOOFER

DESCRIPTION

The HL 35-S is the ideal flyable bass complement for the HL 6 array system. It features a Baltic birch plywood cabinet housing one 4.0" voice coil, 15" neodymium woofer to handle frequencies from 40 Hz to 140 Hz with the maximum linearity and lowest distortion. The hardware is designed for an easy and fast setup, completely compatible with the HL 6 rigging. The heavy-duty front grille is powder coated. A special transparent-to-sound foam backing inside helps to further protect the transducers from dust.



FEATURES

- 900 W RMS power handling
- 134 dB max SPL
- 40 ÷ 140 Hz frequency range
- 1 x 15" high-power woofer
- Baltic birch plywood cabinet
- Steel front grille with clothing
- M20 standard pole mount in the top section of the cabinet
- 2 x SPEAKON connectors

TECHNICAL SPECIFICATIONS

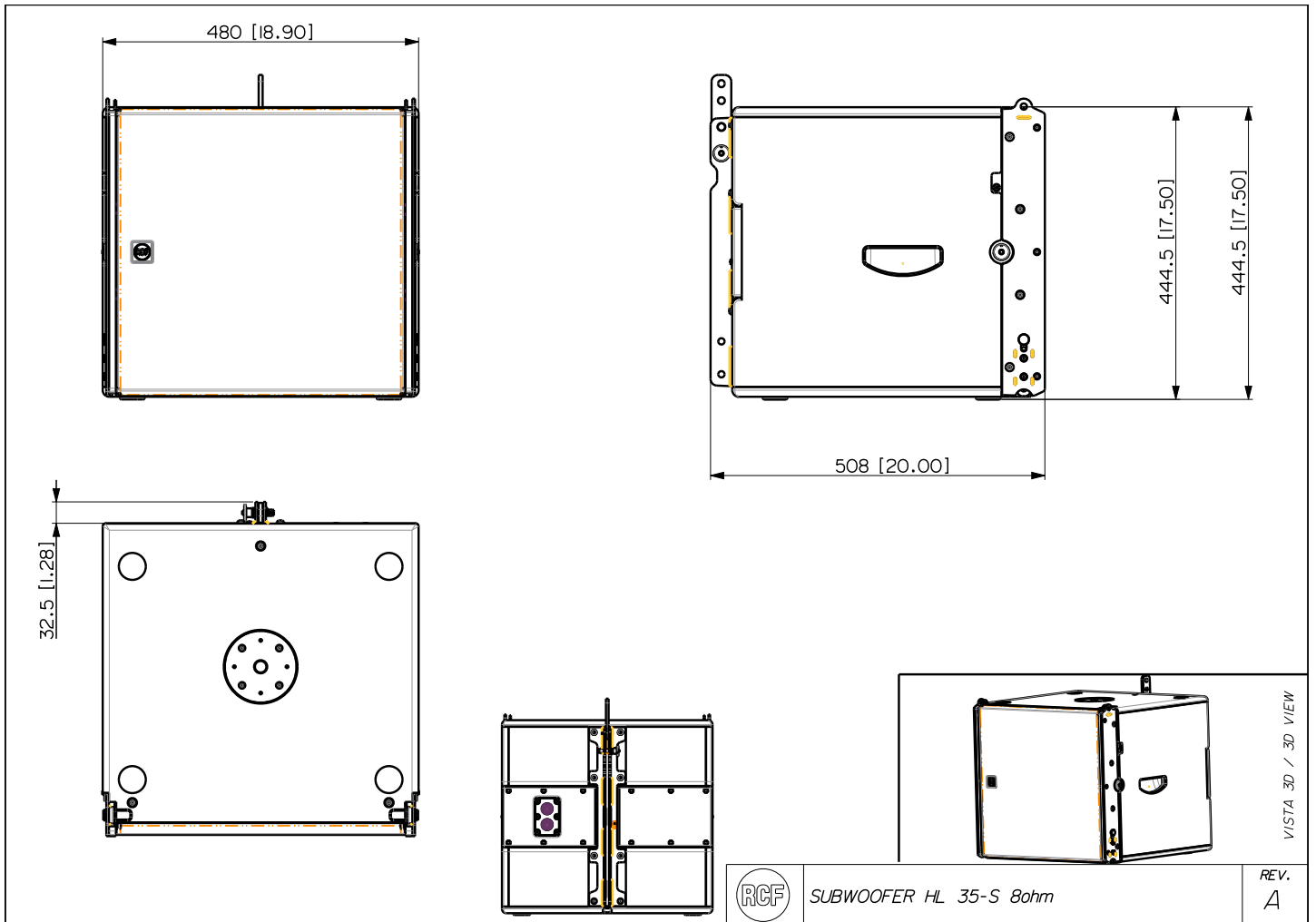
Acoustical specifications	Frequency Response (-10dB):	40 Hz ÷ 140 Hz
	Max SPL @ 1m:	134 dB
Power section	Nominal Impedance:	8 ohm
	Power Handling:	900 W
	Peak Power Handling:	3600 W PEAK
	Recommended Amplifier:	1800 W
Transducers	Woofers:	15" neo, 4.0" v.c
Input/Output section	Input connectors:	Speakon
	Output connectors:	Speakon
Standard compliance	CE marking:	Yes
Physical specifications	Cabinet/Case Material:	Baltic birch plywood
	Hardware:	Integrated array mechanics
	Handles:	On side panels
	Pole mount/Cap:	Yes
	Grille:	Steel
	Color:	Black - RAL 9005
Size	Height:	444.5 mm / 17.5 inches
	Width:	480 mm / 18.9 inches
	Depth:	508 mm / 20 inches
	Weight:	28 kg / 61.73 lbs
Shipping informations	Package Height:	530 mm / 20.87 inches
	Package Width:	560 mm / 22.05 inches
	Package Depth:	525 mm / 20.67 inches
	Package Weight:	33 kg / 72.75 lbs

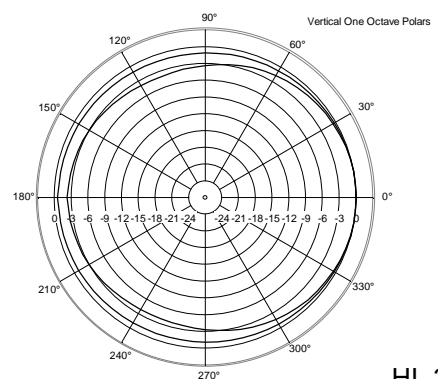
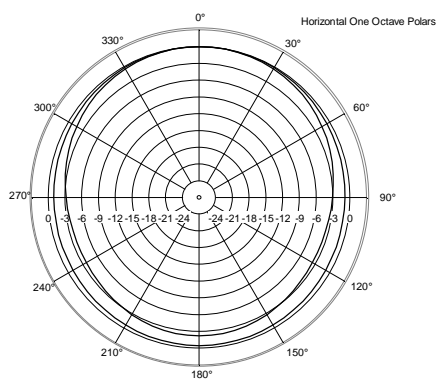
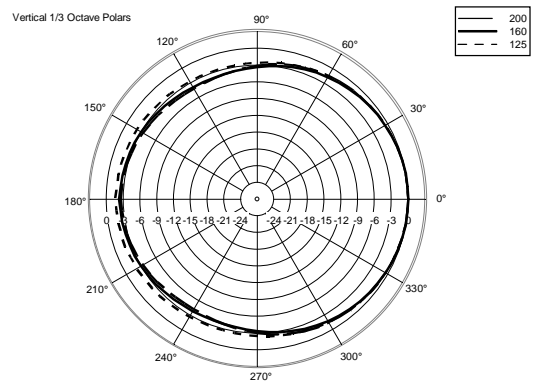
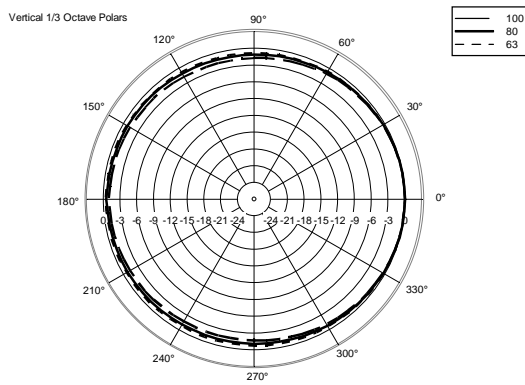
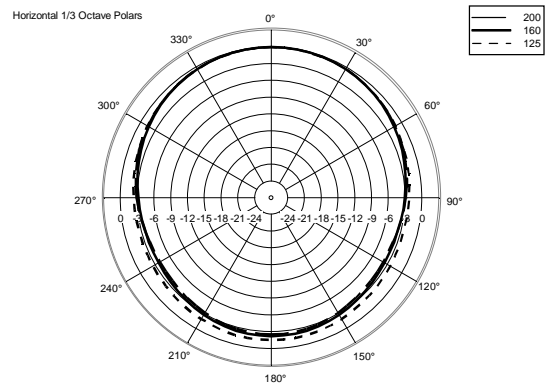
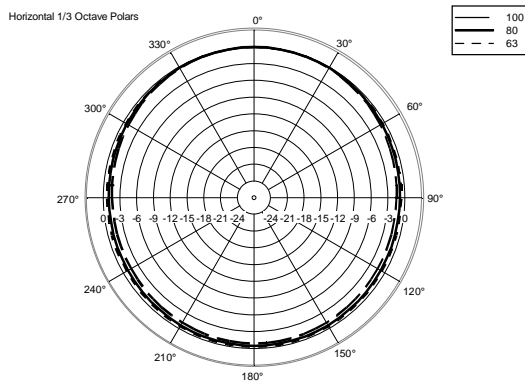
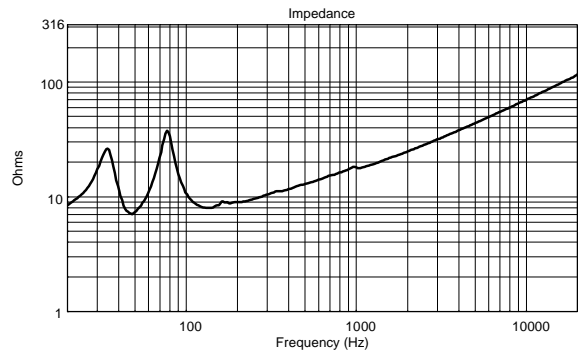
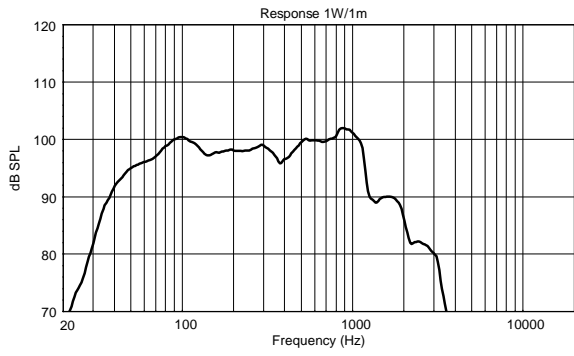
PART NUMBER

- **13000732**

HL 35-S

EAN 8024530019075





ACCESSORIES

AC 2X AZIMUT PLATE

PART NUMBER **13360351**
EAN: 8024530013516



AC PMA - POLE MOUNT

PART NUMBER **13360034**
EAN: 8024530007713



AC PM-M20

PART NUMBER **13360067**
EAN: 8024530014599



AC PMX POLE MOUNT M20

PART NUMBER **13360232**
EAN: 8024530010058



AC TRUSS CLAMP HDL6

PART NUMBER **13360371**
EAN: 8024530014360



FLY BAR FL-B HDL 6

PART NUMBER **13360360**
EAN: 8024530014209



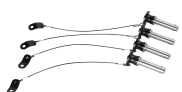
FLY BAR PICKUP FL-B PK HDL 6

PART NUMBER **13360372**
EAN: 8024530014353



LINK BAR FL-B LINK HDL 6-12 2X

PART NUMBER **13360375**
EAN: 8024530014414



QUICK LOCK PIN QL-PIN D9.6 L21.3 4X

PART NUMBER **13360219**
EAN: 8024530015763