

HDL 38-AS

ACTIVE FLYABLE SUBWOOFER MODULE

DESCRIPTION

The HDL 38-AS is the ideal flyable bass complement for the HDL 30-A array system. It features one 4.0" voice coil, 18" Neodymium woofer to handle 136 dB SPL Max from 30 Hz to 140 Hz with the maximum linearity and low distortion. The HDL 38-AS is perfect to create flown systems for theatrical and indoor requirements. The built-in 3200W class-D amplifier delivers excellent playback clarity and up to 136 decibels SPL max. Due to its compatibility with RDNet - remote monitoring and control, the HDL 38-AS is part of the professional HDL System.



FEATURES

- 136 dB Max SPL
- 3200W peak class-D Amplifier
- 30-140 Hz frequency response
- RDNet Networked Management
- 1x18" Neodymium Woofer, 4.0" voice coil

TECHNICAL SPECIFICATIONS

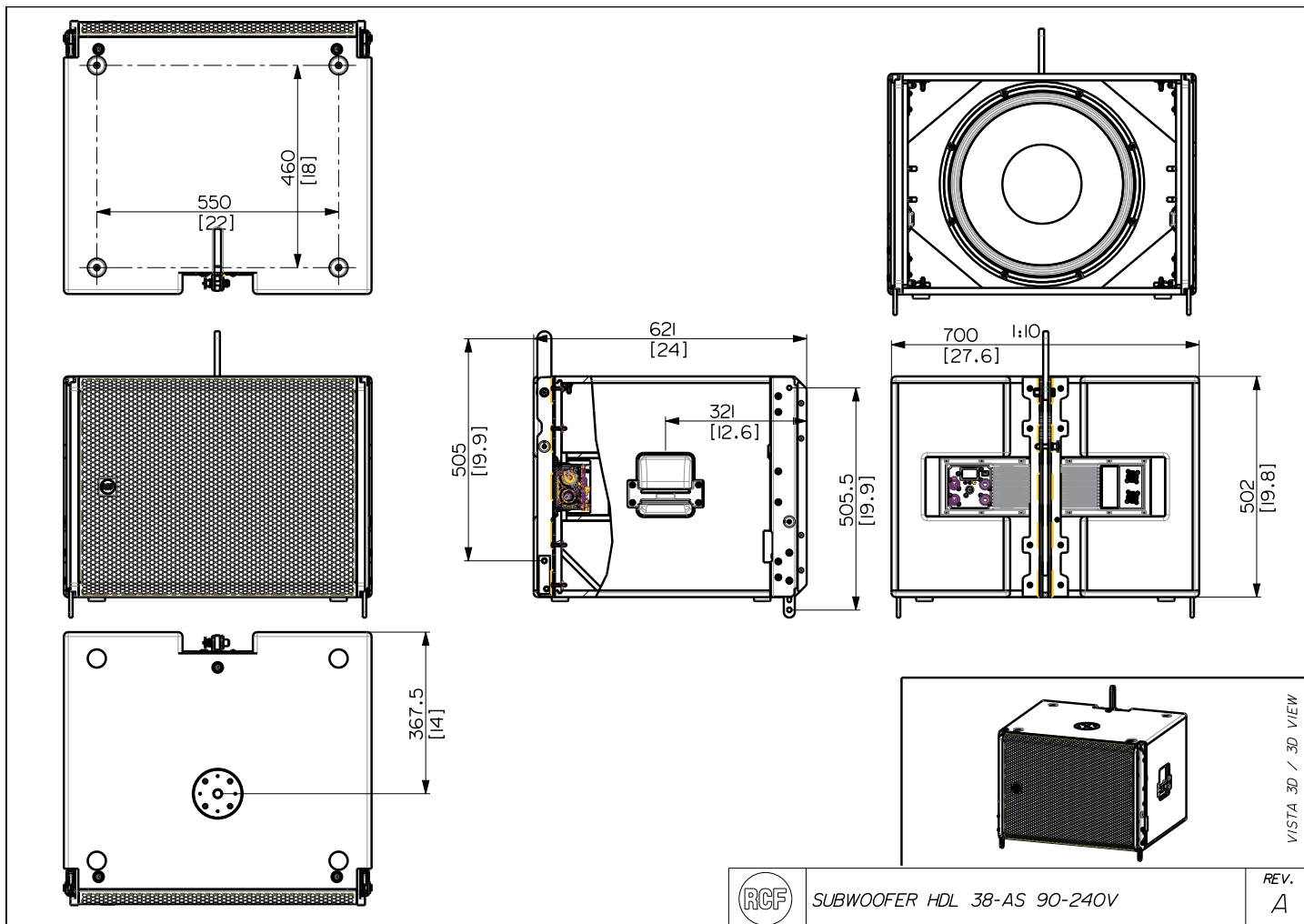
Acoustical specifications	Frequency Response:	30 Hz ÷ 140 Hz
	Max SPL @ 1m:	136 dB
Transducers	Woofers:	18" neo, 4.0" v.c
Input/Output section	Input signal:	bal/unbal
	Input connectors:	XLR, RDNet Ethercon
	Output connectors:	XLR, RDNet Ethercon
	Input sensitivity:	+4 dBu
Processor section	Protections:	Thermal, RMS
	Limiter:	Soft Limiter
	Controls:	Volume, Preset selection
	RDNet:	Yes
Power section	Total Power:	3200 W Peak, 1600 W RMS
	Low frequencies:	3200 W Peak, 1600 W RMS
	Cooling:	Convection
	Connections:	Powercon IN/OUT
Standard compliance	CE marking:	Yes
Physical specifications	Cabinet/Case Material:	Baltic birch plywood
	Hardware:	Array fittings 1 X M20
	Handles:	2 Side
	Grille:	Steel
	Color:	Black, White - RAL 9003
Size	Height:	502 mm / 19.76 inches
	Width:	700 mm / 27.56 inches
	Depth:	621 mm / 24.45 inches
	Weight:	48.7 kg / 107.36 lbs
Shipping informations	Package Height:	550 mm / 21.65 inches
	Package Width:	670 mm / 26.38 inches
	Package Depth:	750 mm / 29.53 inches
	Package Weight:	51 kg / 112.44 lbs

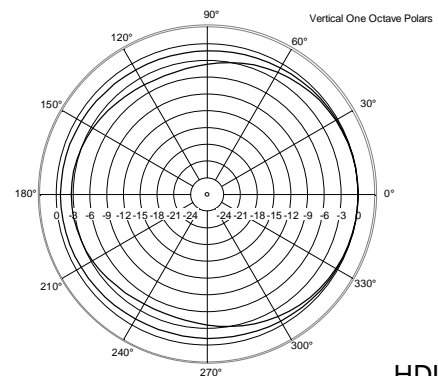
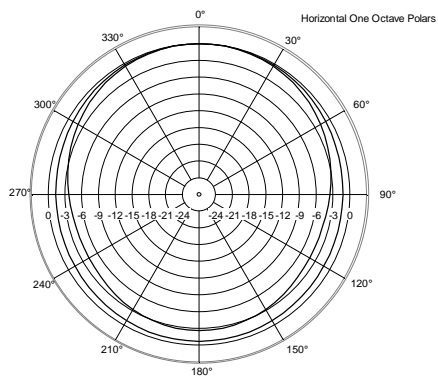
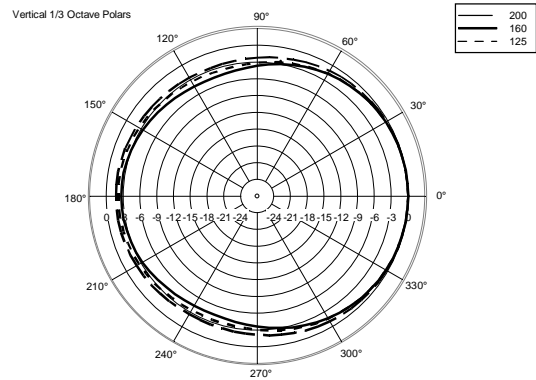
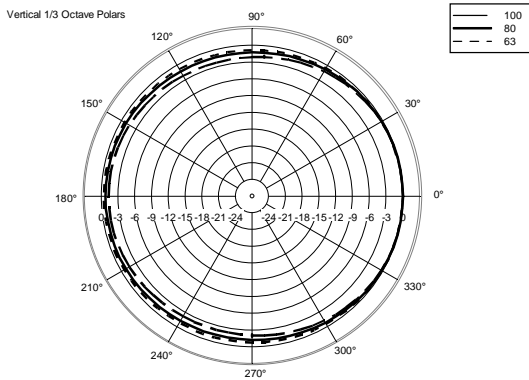
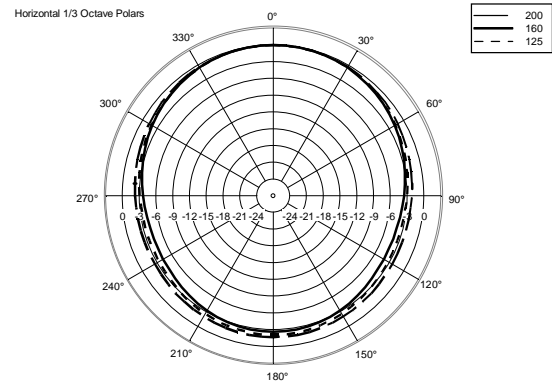
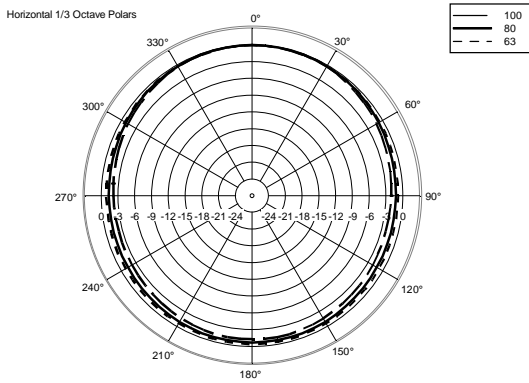
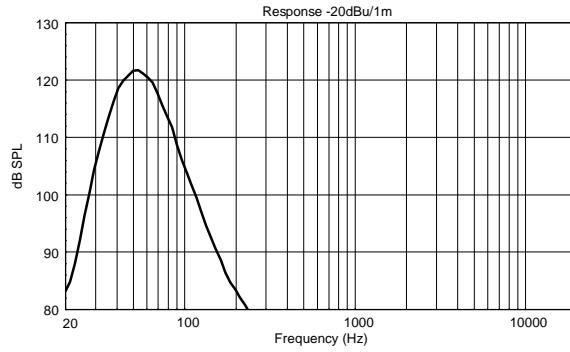
PART NUMBER

- **13000580**

HDL 38-AS

EAN 8024530016944





ACCESSORIES

AC 2X AZIMUT PLATE

PART NUMBER **13360351**
EAN: 8024530013516



AC POWER CABLE 6X TTL55

PART NUMBER **13360138**
EAN:



CABLES KIT CBL ETHERCON 0.7M

PART NUMBER **12399016**
EAN: 8024530013844



CABLES KIT CBL ETHERCON 1.5M

PART NUMBER **12399017**
EAN: 8024530013851



CABLES KIT CBL ETHERCON 3M

PART NUMBER **12399035**
EAN: 8024530013868



CABLES KIT CBL ETHERCON 5M

PART NUMBER **12399018**
EAN: 8024530013875



CABLES KIT CBL ETHERCON TO XLR F 0.2M

PART NUMBER **12399019**
EAN: 8024530013882



CABLES KIT CBL ETHERCON TO XLR M 0.2M

PART NUMBER **12399020**
EAN: 8024530013899



CABLES KIT CBL LK 25 MULTIPIN 10M

PART NUMBER **12399023**
EAN: 8024530013837



CABLES KIT CBL LK 25 MULTIPIN 20M

PART NUMBER **12399022**
EAN: 8024530013820



CABLES KIT CBL LKS 19 ARRAY FANOUT

PART NUMBER **12399024**
EAN: 8024530013905



CABLES KIT CBL LKS 19 BREAKOUT

PART NUMBER **12399026**
EAN: 8024530013929



CABLES KIT CBL LKS 19 POWER 10M

PART NUMBER **12399027**
EAN: 8024530013936



CABLES KIT CBL LKS 19 SUB FANOUT

PART NUMBER **12399025**
EAN: 8024530013912



CABLES KIT CBL LKS 25-2 FANOUT

PART NUMBER **12399021**
EAN: 8024530013813



CABLES KIT CBL POWER BOX 6X

PART NUMBER **13360145**
EAN: 8024530015534



CABLES KIT CBL POWERCON LINK 0.7M

PART NUMBER **12399031**
EAN: 8024530013738



CABLES KIT CBL POWERCON LINK 1.5M

PART NUMBER **12399030**
EAN: 8024530013721



CABLES KIT CBL POWERCON LINK 10M

PART NUMBER **12399028**
EAN: 8024530013707



CABLES KIT CBL POWERCON LINK 5M

PART NUMBER **12399029**
EAN: 8024530013714



COVER CVR 3X HDL 38

PART NUMBER **13360433**
EAN: 8024530017484



FLY BAR FL-B HDL 30

PART NUMBER **13360380**
EAN: 8024530015114



FLY BAR PICKUP FL-B PK HDL 30

PART NUMBER **13360394**
EAN: 8024530015220



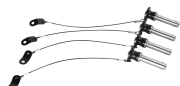
KART WITH WHEELS KRT-WH 3X HDL 38

PART NUMBER **13360430**
EAN: 8024530016777



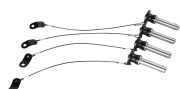
LKS 19-20 POWER CABLE

PART NUMBER **13360146**
EAN: 8024530013943



QUICK LOCK PIN QL-PIN D9.6 L21.3 4X

PART NUMBER **13360219**
EAN: 8024530015763



QUICK LOCK PIN QL-PIN D9.6 L26.9 4X

PART NUMBER **13360220**
EAN: 8024530015770

QUICK LOCK PIN QL-PIN D9.6 L31 4X

PART NUMBER **13360222**
EAN: 8024530015787



RAIN PROTECTION RP 1X HDL 30

PART NUMBER **13360388**
EAN: 8024530015138

