

HDL 30-A

ACTIVE TWO-WAY LINE ARRAY MODULE

DESCRIPTION

The RCF HDL30-A is a compact bi-amped 2-way active touring system for medium to large events, both indoors and outdoors. It features two 10-inch woofers and an impressive 4-inch titanium compression driver. The time coherent waveguide is the result of in-depth research and design. HDL 30-A is the first line array in a composite cabinet with zero-degree phase and ultra-linear amplitude response.

The built-in 2200 watt class-D amplifier delivers excellent playback clarity and up to 137 decibels SPL max. The RCF HDL30 -A features state of the art RCF transducers with neodymium magnets. Considering its acoustical power, it has a remarkably low weight for easy handling and flying.

The HDL 38-AS is the ideal flyable bass complement for the HDL 30-A array system.



FEATURES

- 2200W Two Way Amplifier
- 137 dB Max SPL
- 48 kHz, 32 bit DSP processing
- 1.4" Titanium Compression Driver, 4.0" voice coil
- 2 x 10" Neodymium Woofers, 2.5" voice coil
- Exclusive FiRPHASE technology on-board
- RDNet Control and Management
- 680 Hz Crossover Point

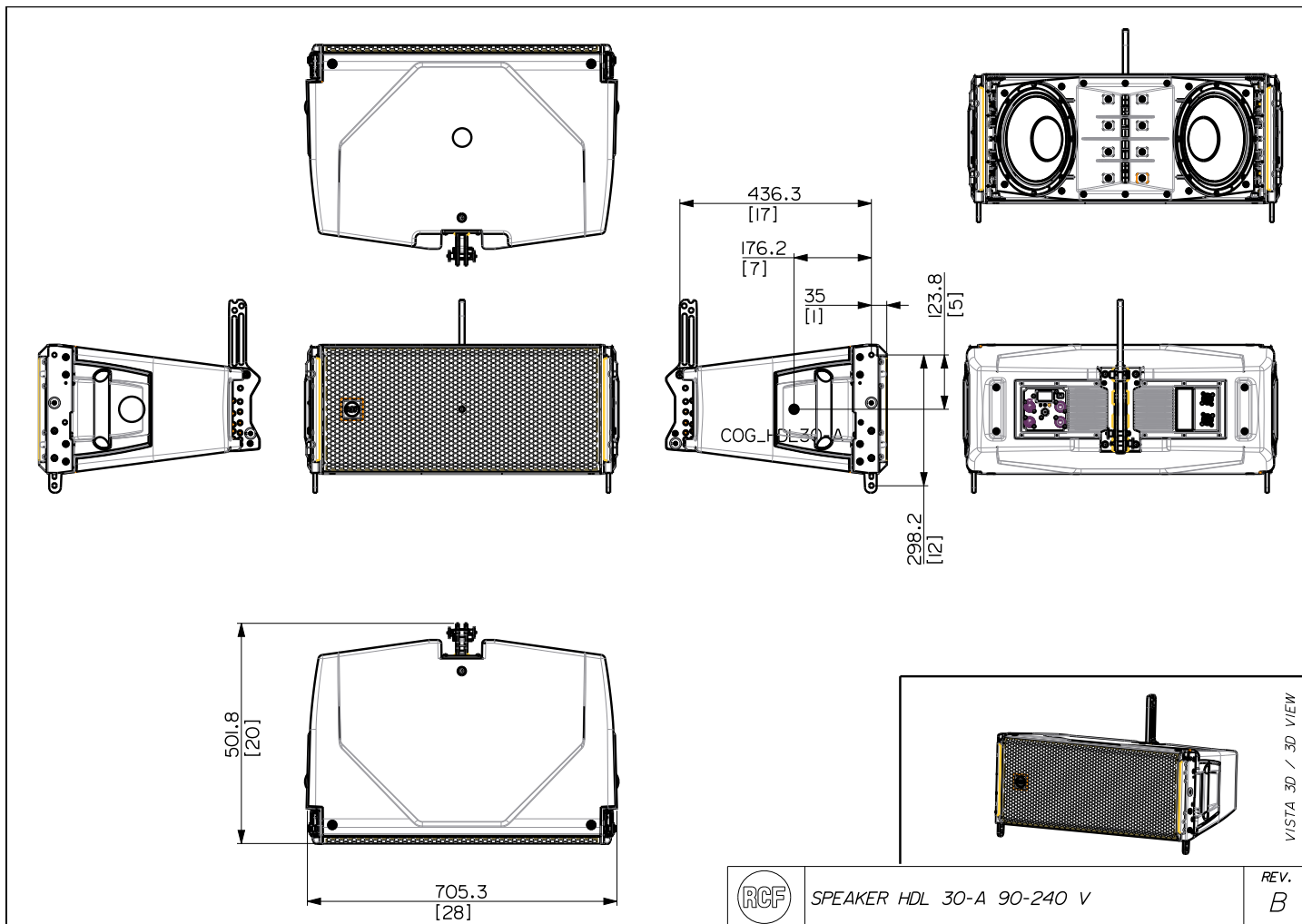
TECHNICAL SPECIFICATIONS

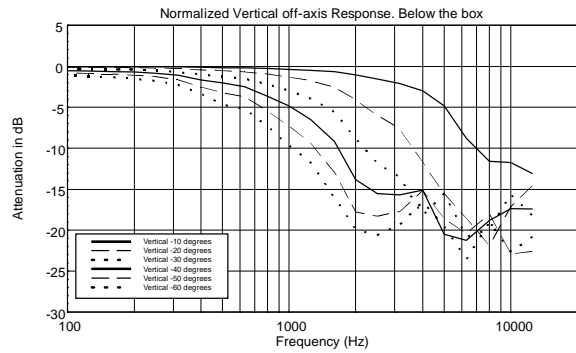
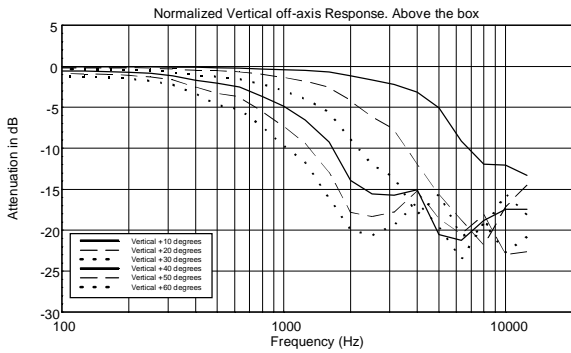
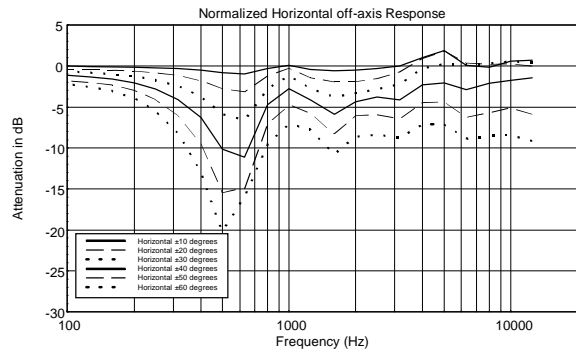
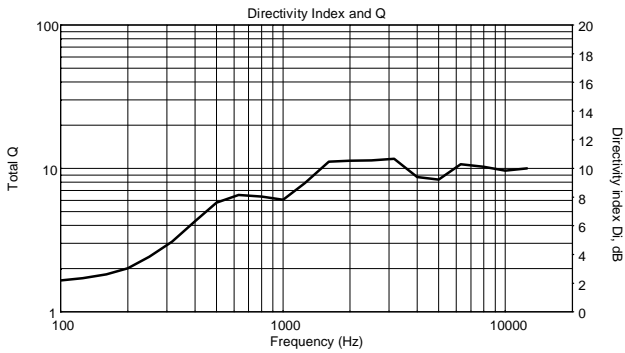
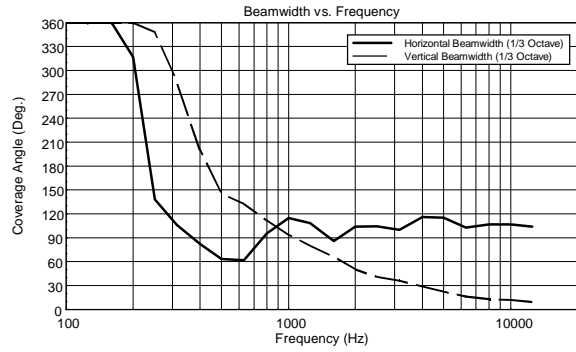
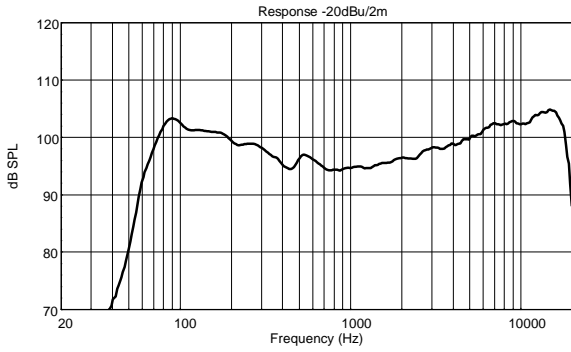
| | | |
|----------------------------------|----------------------------|-------------------------|
| Acoustical specifications | Frequency Response: | 50 Hz ÷ 20000 Hz |
| | Max SPL @ 1m: | 137 dB |
| | Horizontal coverage angle: | 100° |
| | Vertical coverage angle: | 15° |
| Transducers | Compression Driver: | 1 x 1.4" neo, 4.0" v.c |
| | Woofers: | 2 x 10" neo, 2.5" v.c |
| Input/Output section | Input signal: | bal/unbal |
| | Input connectors: | XLR, RDNet Ethercon |
| | Output connectors: | XLR, RDNet Ethercon |
| | Input sensitivity: | +4 dBu |
| Processor section | Crossover Frequencies: | 680 Hz |
| | Protections: | Thermal, RMS |
| | Limiter: | Soft Limiter |
| | Controls: | Preset, RDNet bypass |
| | RDNet: | Yes |
| Power section | Total Power: | 2200 W Peak, 1100 W RMS |
| | High frequencies: | 600 W Peak, 300 W RMS |
| | Low frequencies: | 1600 W Peak, 800 W RMS |
| | Cooling: | Forced |
| | Connections: | Powercon IN/OUT |
| Standard compliance | CE marking: | Yes |
| Physical specifications | Cabinet/Case Material: | PP Composite |
| | Hardware: | Array fittings |
| | Handles: | 2 Side |
| | Grille: | Steel |
| | Color: | Black |
| Size | Height: | 293 mm / 11.54 inches |
| | Width: | 705 mm / 27.76 inches |
| | Depth: | 502 mm / 19.76 inches |
| | Weight: | 25 kg / 55.12 lbs |
| Shipping informations | Package Height: | 365 mm / 14.37 inches |
| | Package Width: | 800 mm / 31.5 inches |
| | Package Depth: | 550 mm / 21.65 inches |
| | Package Weight: | 28.2 kg / 62.17 lbs |

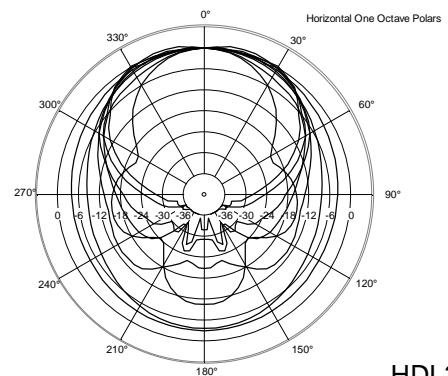
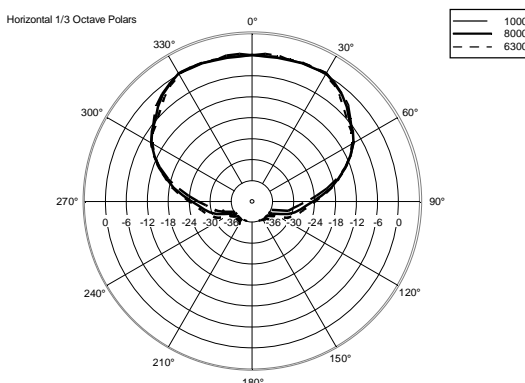
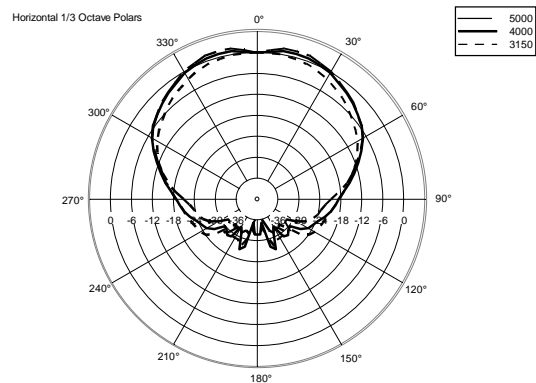
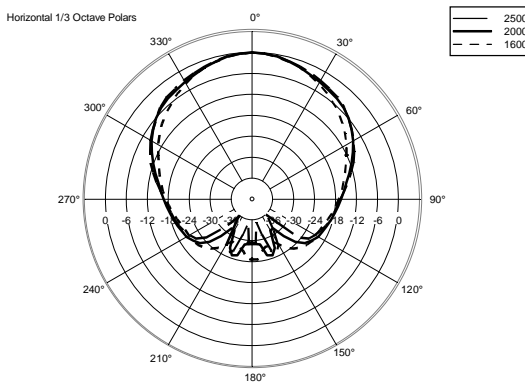
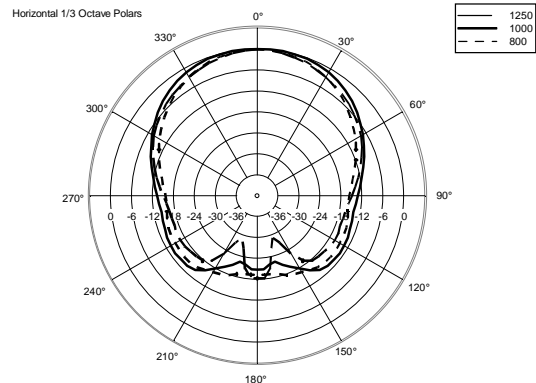
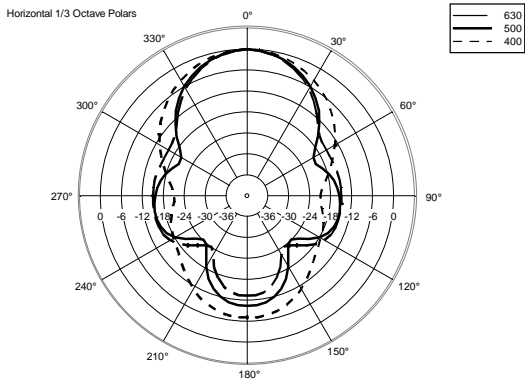
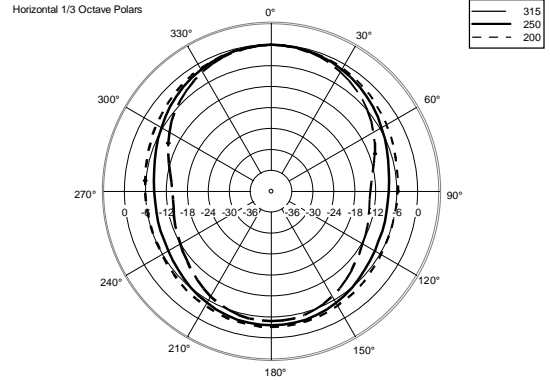
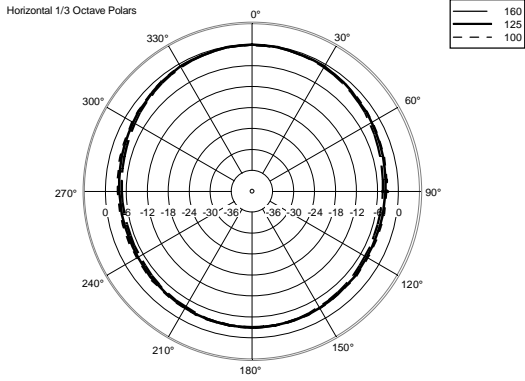


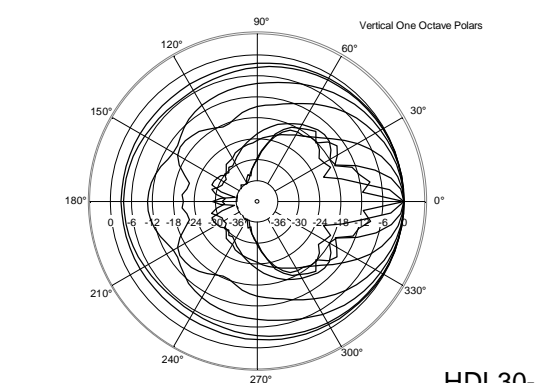
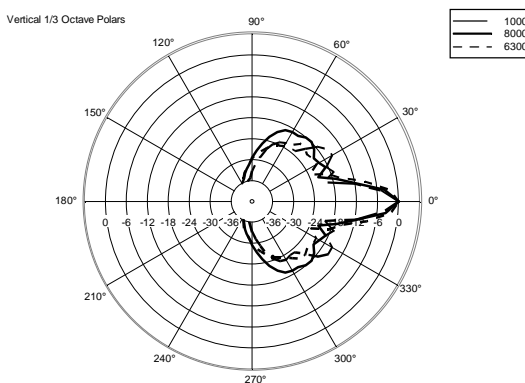
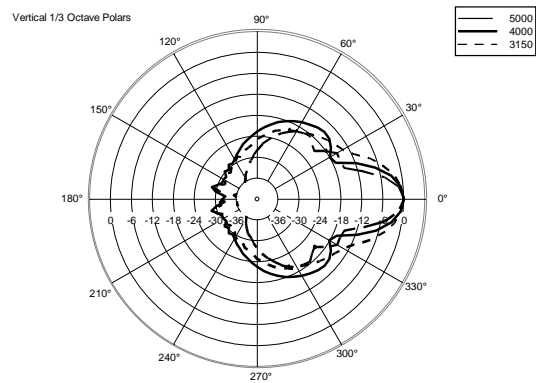
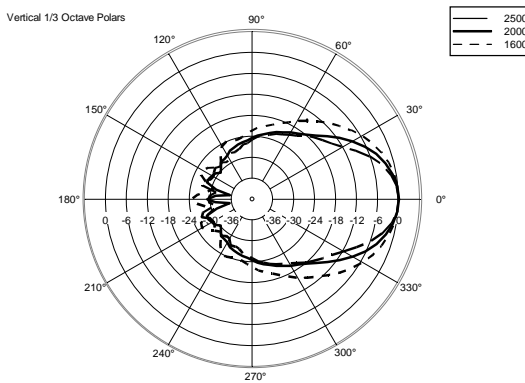
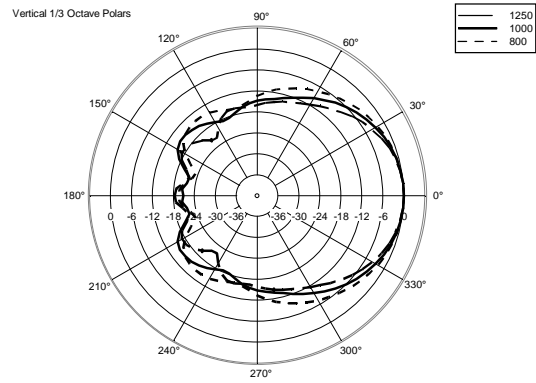
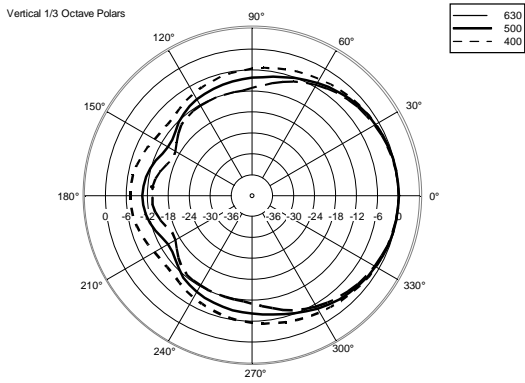
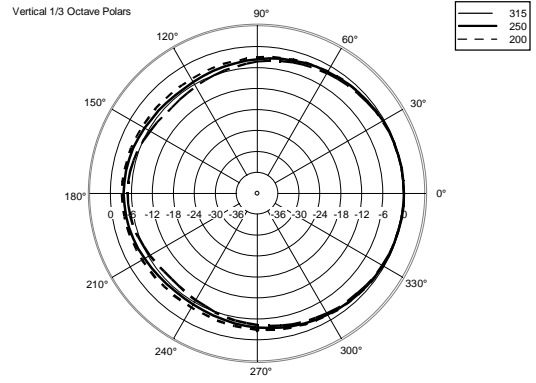
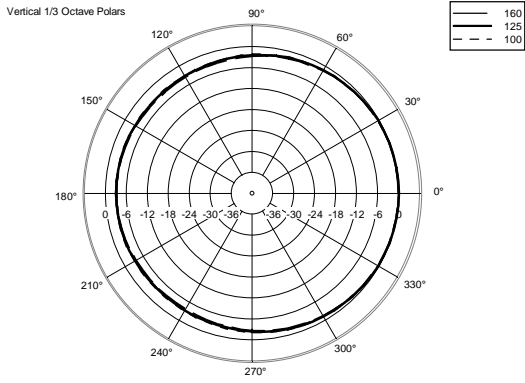
PART NUMBER

- **13000511**
HDL 30-A
90-240V
EAN 8024530014643









ACCESSORIES

AC 2X AZIMUT PLATE

PART NUMBER **13360351**
EAN: 8024530013516

AC POWER CABLE 6X TTL55

PART NUMBER **13360138**
EAN:

CABLES KIT CBL ETHERCON 0.7M

PART NUMBER **12399016**
EAN: 8024530013844

CABLES KIT CBL ETHERCON 1.5M

PART NUMBER **12399017**
EAN: 8024530013851

CABLES KIT CBL ETHERCON 3M

PART NUMBER **12399035**
EAN: 8024530013868

CABLES KIT CBL ETHERCON 5M

PART NUMBER **12399018**
EAN: 8024530013875

CABLES KIT CBL ETHERCON TO XLR F 0.2M

PART NUMBER **12399019**
EAN: 8024530013882

CABLES KIT CBL ETHERCON TO XLR M 0.2M

PART NUMBER **12399020**
EAN: 8024530013899

CABLES KIT CBL LK 25 MULTIPIN 10M

PART NUMBER **12399023**
EAN: 8024530013837



CABLES KIT CBL LK 25 MULTIPIN 20M

PART NUMBER **12399022**
EAN: 8024530013820



CABLES KIT CBL LKS 19 ARRAY FANOUT

PART NUMBER **12399024**
EAN: 8024530013905



CABLES KIT CBL LKS 19 BREAKOUT

PART NUMBER **12399026**
EAN: 8024530013929



CABLES KIT CBL LKS 19 POWER 10M

PART NUMBER **12399027**
EAN: 8024530013936



CABLES KIT CBL LKS 19 SUB FANOUT

PART NUMBER **12399025**
EAN: 8024530013912



CABLES KIT CBL LKS 25-2 FANOUT

PART NUMBER **12399021**
EAN: 8024530013813



CABLES KIT CBL POWER BOX 6X

PART NUMBER **13360145**
EAN: 8024530015534



CABLES KIT CBL POWERCON LINK 0.7M

PART NUMBER **12399031**
EAN: 8024530013738



CABLES KIT CBL POWERCON LINK 1.5M

PART NUMBER **12399030**
EAN: 8024530013721



CABLES KIT CBL POWERCON LINK 10M

PART NUMBER **12399028**
EAN: 8024530013707



CABLES KIT CBL POWERCON LINK 5M

PART NUMBER **12399029**
EAN: 8024530013714



COVER CVR 4X HDL 30

PART NUMBER **13360386**
EAN: 8024530015145



COVER CVR SUB 9006

PART NUMBER **13360363**
EAN: 8024530013776



FLY BAR FL-B HDL 30

PART NUMBER **13360380**
EAN: 8024530015114



FLY BAR PICKUP FL-B PK HDL 30

PART NUMBER **13360394**
EAN: 8024530015220



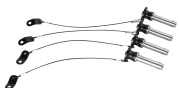
KART WITH WHEELS KRT-WH 4X HDL 30

PART NUMBER **13360382**
EAN: 8024530015121



LKS 19-20 POWER CABLE

PART NUMBER **13360146**
EAN: 8024530013943



QUICK LOCK PIN QL-PIN D9.6 L21.3 4X

PART NUMBER **13360219**
EAN: 8024530015763



QUICK LOCK PIN QL-PIN D9.6 L26.9 4X

PART NUMBER **13360220**
EAN: 8024530015770



RAIN PROTECTION RP 1X HDL 30

PART NUMBER **13360388**
EAN: 8024530015138



STACKING KIT STCK-KIT 2X HDL 30

PART NUMBER **13360393**

EAN: 8024530015336
