

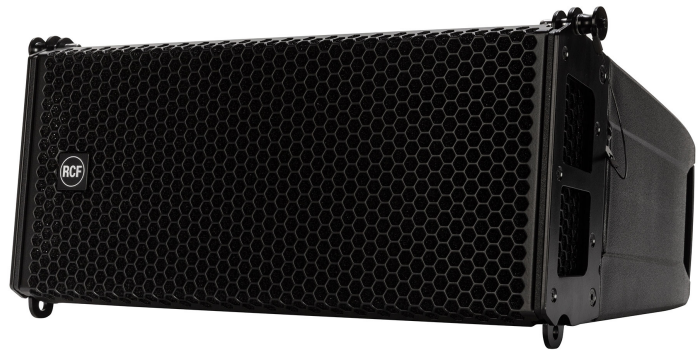
HDL 26-A

ACTIVE TWO WAY LINE ARRAY MODULE

DESCRIPTION

The RCF HDL26-A is an ultra-compact bi-amped two-way active touring system for small and medium-sized events, both indoors and outdoors. Due to the advanced transducer design and the 2000W Class-D amplifier, among the best in its class, it is capable of an extended bottom-end and a pristine sound for a wide range of applications, alone or in RDNet managed line-array configurations.

The HDL 35-AS is the ideal flyable bass complement for the HDL 26-A array system.



FEATURES

- 133 dB Max SPL
- 2000W Two-Way Amplifier
- Exclusive FiRPHASE technology on-board
- 750 Hz Crossover for best vocal reproduction
- RDNet Networked Management
- 1.5" Titanium Compression Driver
- 2 x 6" High-Powered Neodymium Woofers
- 4 PATH waveguide

TECHNICAL SPECIFICATIONS

| | | |
|----------------------------------|----------------------------|-------------------------|
| Acoustical specifications | Frequency Response: | 55 Hz ÷ 20000 Hz |
| | Max SPL @ 1m: | 133 dB |
| | Horizontal coverage angle: | 100° |
| | Vertical coverage angle: | 10° |
| Transducers | Compression Driver: | 1 x 1.5" neo, 3.0" v.c |
| | Woofers: | 2 x 6.0" neo, 2.0" v.c |
| Input/Output section | Input signal: | bal/unbal |
| | Input connectors: | XLR, RDNet Ethercon |
| | Output connectors: | XLR, RDNet Ethercon |
| | Input sensitivity: | +4 dBu |
| Processor section | Crossover Frequencies: | 750 |
| | Protections: | Thermal, RMS |
| | Limiter: | Soft Limiter |
| | Controls: | Preset, RDNet bypass |
| | RDNet: | Yes |
| Power section | Total Power: | 2000 W Peak, 1000 W RMS |
| | High frequencies: | 600 W Peak, 300 W RMS |
| | Low frequencies: | 1400 W Peak, 700 W RMS |
| | Cooling: | Convection |
| | Connections: | Powercon IN/OUT |
| Standard compliance | CE marking: | Yes |
| Physical specifications | Cabinet/Case Material: | PP Composite |
| | Hardware: | Array fittings |
| | Handles: | 2 Back |
| | Grille: | Steel |
| | Color: | Black, White |
| Size | Height: | 237 mm / 9.33 inches |
| | Width: | 470 mm / 18.5 inches |
| | Depth: | 377 mm / 14.84 inches |
| | Weight: | 13.5 kg / 29.76 lbs |
| Shipping informations | Package Height: | 260 mm / 10.24 inches |
| | Package Width: | 550 mm / 21.65 inches |
| | Package Depth: | 425 mm / 16.73 inches |
| | Package Weight: | 14.9 kg / 32.85 lbs |



PART NUMBER

- **13000606**

HDL 26-A W

White

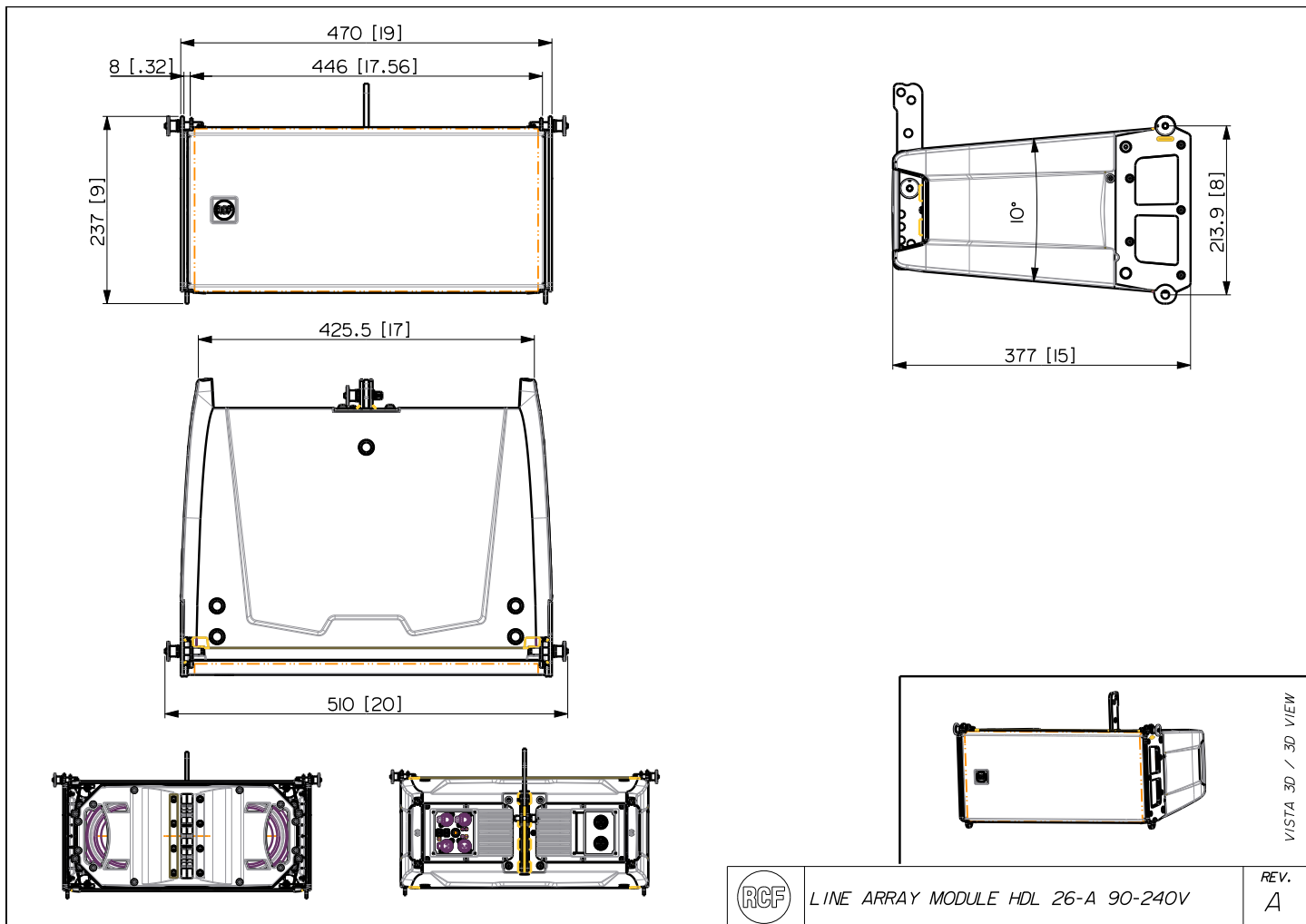
EAN 8024530017422

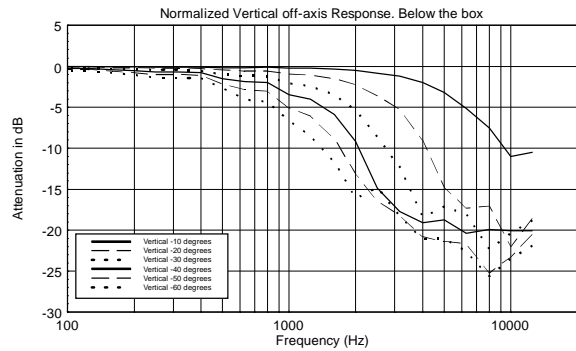
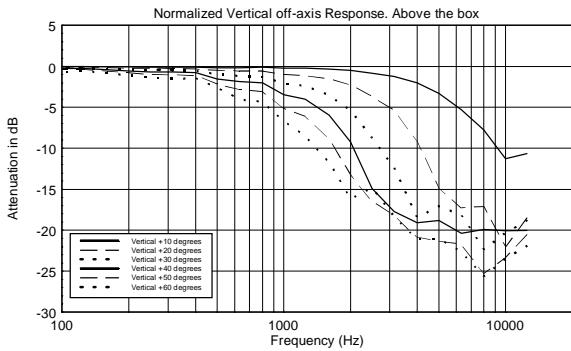
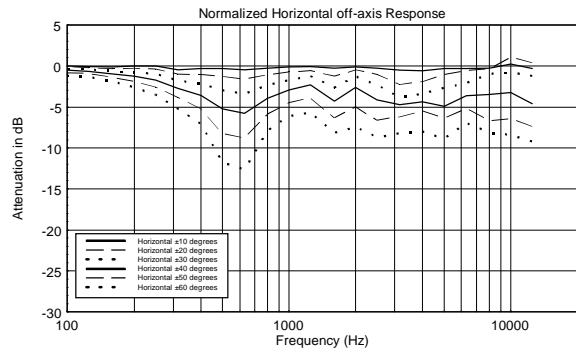
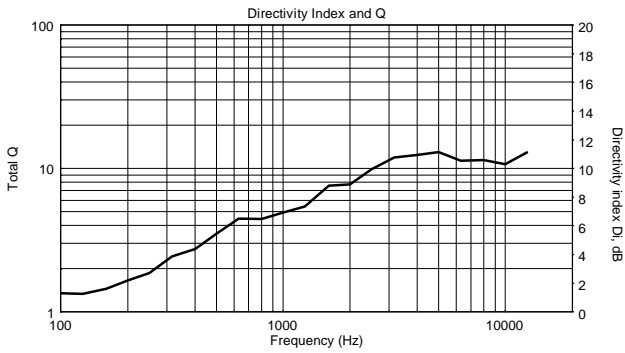
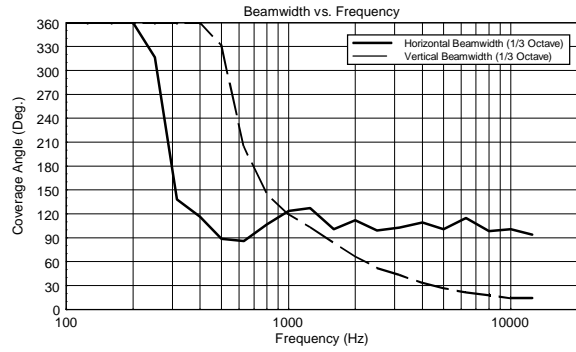
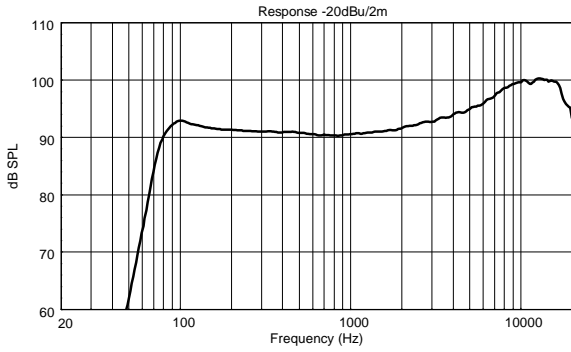
- **13000588**

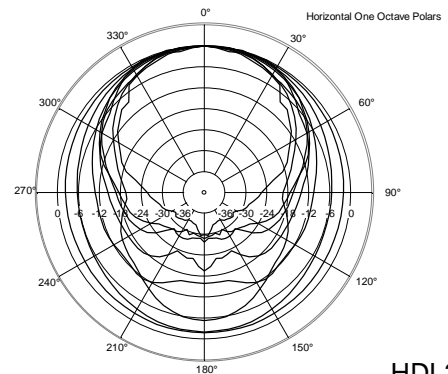
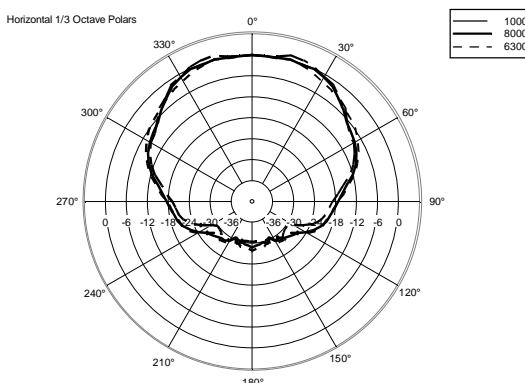
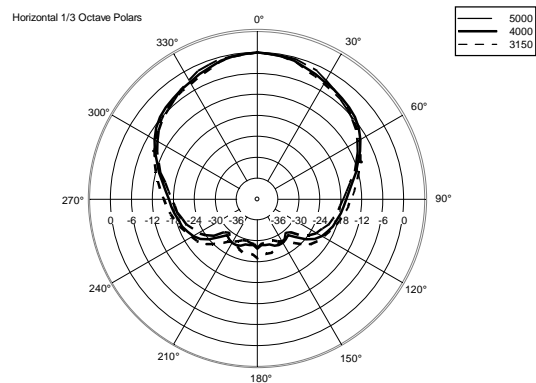
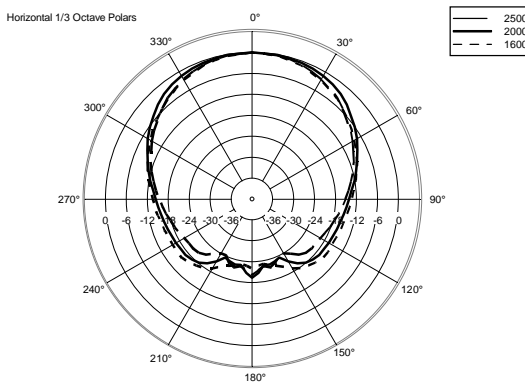
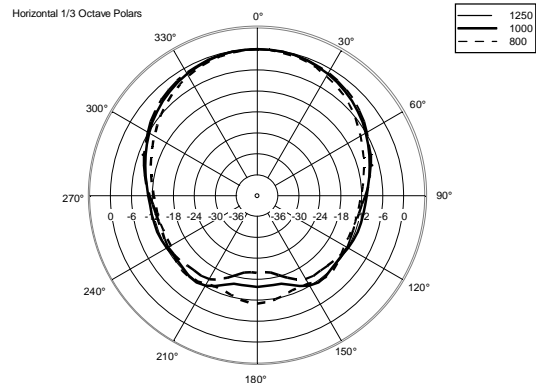
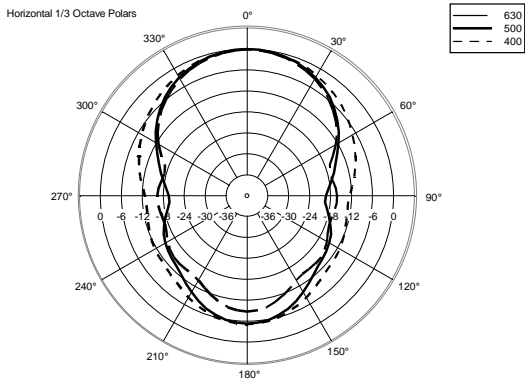
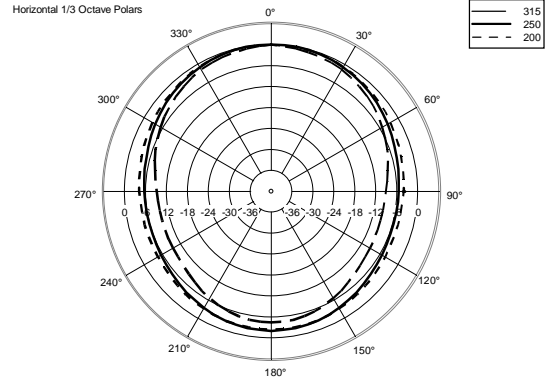
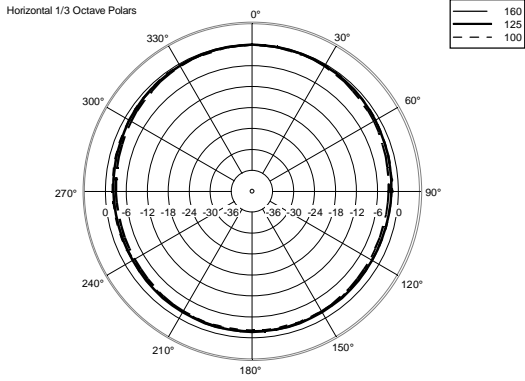
HDL 26-A

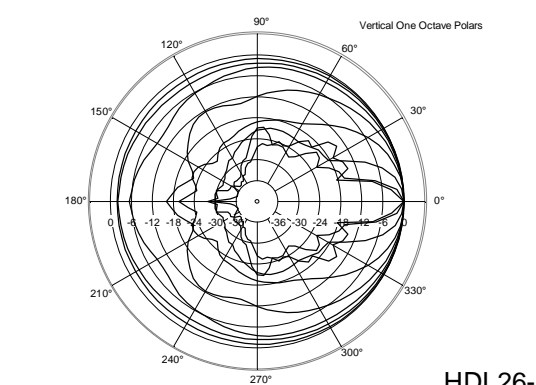
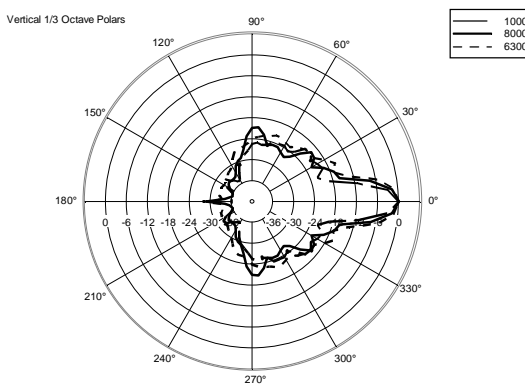
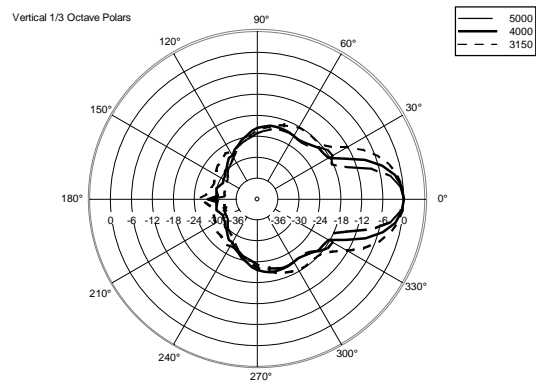
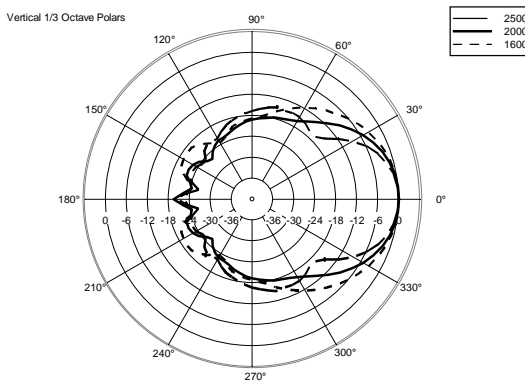
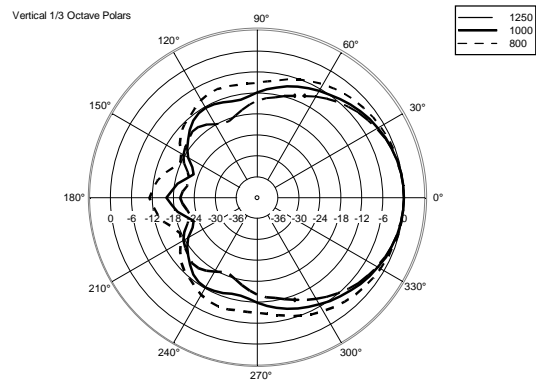
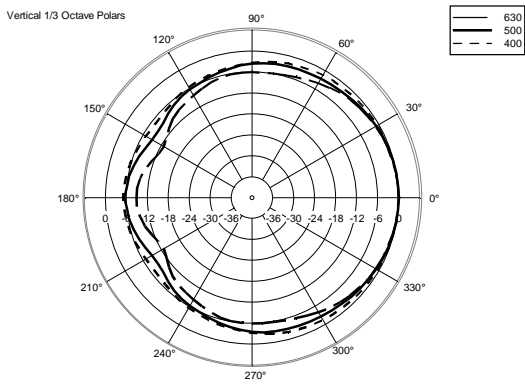
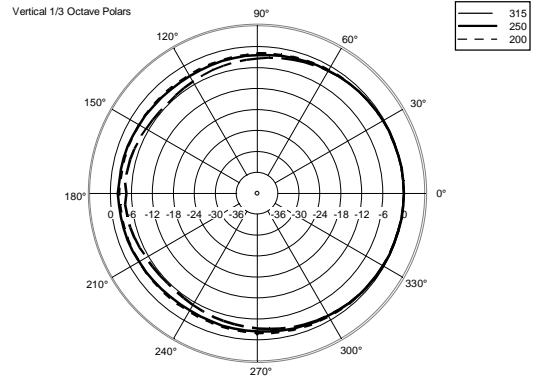
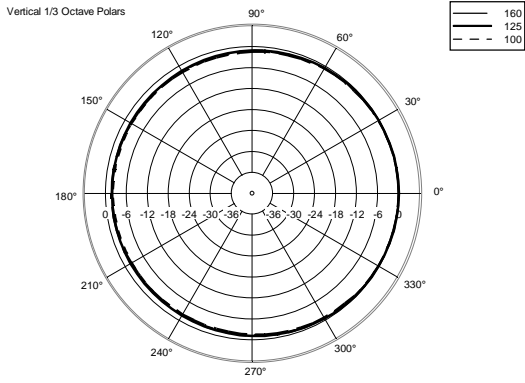
Black

EAN 8024530016845









ACCESSORIES

AC 2X AZIMUT PLATE

PART NUMBER **13360351**
EAN: 8024530013516



AC POWER CABLE 6X TTL55

PART NUMBER **13360138**
EAN:



AC TRUSS CLAMP HDL6

PART NUMBER **13360371**
EAN: 8024530014360



CABLES KIT CBL ETHERCON 0.7M

PART NUMBER **12399016**
EAN: 8024530013844



CABLES KIT CBL ETHERCON 1.5M

PART NUMBER **12399017**
EAN: 8024530013851



CABLES KIT CBL ETHERCON 3M

PART NUMBER **12399035**
EAN: 8024530013868



CABLES KIT CBL ETHERCON 5M

PART NUMBER **12399018**
EAN: 8024530013875



CABLES KIT CBL ETHERCON TO XLR F 0.2M

PART NUMBER **12399019**
EAN: 8024530013882



CABLES KIT CBL ETHERCON TO XLR M 0.2M

PART NUMBER **12399020**
EAN: 8024530013899



CABLES KIT CBL LK 25 MULTIPIN 10M

PART NUMBER **12399023**
EAN: 8024530013837



CABLES KIT CBL LK 25 MULTIPIN 20M

PART NUMBER **12399022**
EAN: 8024530013820



CABLES KIT CBL LKS 19 ARRAY FANOUT

PART NUMBER **12399024**
EAN: 8024530013905



CABLES KIT CBL LKS 19 BREAKOUT

PART NUMBER **12399026**
EAN: 8024530013929



CABLES KIT CBL LKS 19 POWER 10M

PART NUMBER **12399027**
EAN: 8024530013936



CABLES KIT CBL LKS 19 SUB FANOUT

PART NUMBER **12399025**
EAN: 8024530013912



CABLES KIT CBL LKS 25-2 FANOUT

PART NUMBER **12399021**
EAN: 8024530013813



CABLES KIT CBL POWER BOX 6X

PART NUMBER **13360145**
EAN: 8024530015534



CABLES KIT CBL POWERCON LINK 0.7M

PART NUMBER **12399031**
EAN: 8024530013738



CABLES KIT CBL POWERCON LINK 1.5M

PART NUMBER **12399030**
EAN: 8024530013721



CABLES KIT CBL POWERCON LINK 10M

PART NUMBER **12399028**
EAN: 8024530013707



CABLES KIT CBL POWERCON LINK 5M

PART NUMBER **12399029**
EAN: 8024530013714



FLY BAR FL-B HDL 6

PART NUMBER **13360360**
EAN: 8024530014209



FLY BAR FL-B HDL 6 W

PART NUMBER **13360373**
EAN: 8024530014377



FLY BAR PICKUP FL-B PK HDL 6

PART NUMBER **13360372**
EAN: 8024530014353



KART WITH WHEELS KRT-WH 6X HDL 6

PART NUMBER **13360366**
EAN: 8024530014421



LINK BAR FL-B LINK HDL 6-12 2X

PART NUMBER **13360375**
EAN: 8024530014414



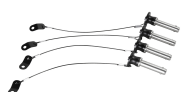
LKS 19-20 POWER CABLE

PART NUMBER **13360146**
EAN: 8024530013943



POLE MOUNT 3X HDL 6-A

PART NUMBER **13360377**
EAN: 8024530014629



QUICK LOCK PIN QL-PIN D9.6 L21.3 4X

PART NUMBER **13360219**
EAN: 8024530015763



RAIN PROTECTION RP 1X HDL 6

PART NUMBER **13360381**
EAN: 8024530015169
