

HDL 20-A

ACTIVE LINE ARRAY MODULE

DESCRIPTION

The careful acoustic design, no compromise transducers and a unique, composite cabinet, design make the HDL 20-A the preferred tool of many professionals. Perfect in live sound reinforcement and reliable installed situations.

The HDL 20-A is the ideal choice when line array performance is needed and a fast and easy set up is a must. The system is powered from a 1400 Watt Peak Power 2 way digital amplifier, sound is processed from a powerful DSP. The processing includes cluster and HF projection correction and special new presets for indoor and high curving situations. The system features state of the art RCF transducers, two powerful 10" for a solid bass reproduction and a large format 3" voice coil compression driver to deliver vocal clarity and high definition with an incredible dynamic. The HDL 18-AS is the ideal flyable bass complement for the HDL 20-A array system.



FEATURES

- 1400 Watt Peak power - 700 Watt RMS
- 135 dB max SPL
- 55 Hz 20 kHz frequency response
- 2 x 10" Woofers
- 1 x 3" Compression Driver
- DSP controlled Input section with selectable presets
- Tour grade safe and solid variable mechanics
- Composite PP enclosure structurally wooden reinforced

TECHNICAL SPECIFICATIONS

Acoustical specifications	Frequency Response:	55 Hz ÷ 20000 Hz
	Max SPL @ 1m:	135 dB
	Horizontal coverage angle:	100°
	Vertical coverage angle:	15°
Transducers	Compression Driver:	1 x 2.0", 3.0" v.c
	Woofers:	2 x 10", 2.5" v.c
Input/Output section	Input signal:	bal/unbal
	Input connectors:	XLR
	Output connectors:	XLR
	Input sensitivity:	-2 dBu/+4 dBu
Processor section	Crossover Frequencies:	800 Hz
	Protections:	Thermal, RMS
	Limiter:	Soft Limiter
	Controls:	Cluster, HF, High curving, Indoor
Power section	Total Power:	1400 W Peak, 700 W RMS
	High frequencies:	400 W Peak, 200 W RMS
	Low frequencies:	1000 W Peak, 500 W RMS
	Cooling:	Convection
	Connections:	Powercon IN/OUT
Standard compliance	CE marking:	Yes
Physical specifications	Cabinet/Case Material:	PP Composite
	Hardware:	Rigging flyware
	Handles:	2 side, 2 back
	Grille:	Steel
	Color:	Black,
Size	Height:	294 mm / 11.57 inches
	Width:	705 mm / 27.76 inches
	Depth:	445 mm / 17.52 inches
	Weight:	30.2 kg / 66.58 lbs
Shipping informations	Package Height:	375 mm / 14.76 inches
	Package Width:	800 mm / 31.5 inches
	Package Depth:	500 mm / 19.69 inches
	Package Weight:	33.2 kg / 73.19 lbs



PART NUMBER

• **13040008**

HDL 20-A

115V

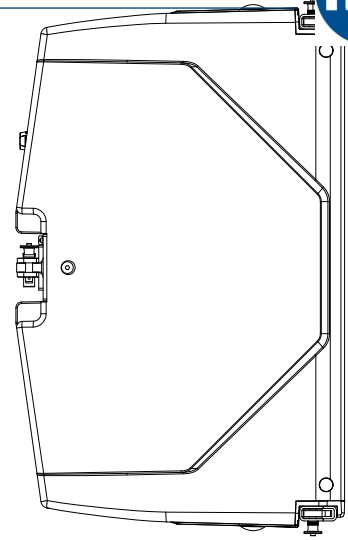
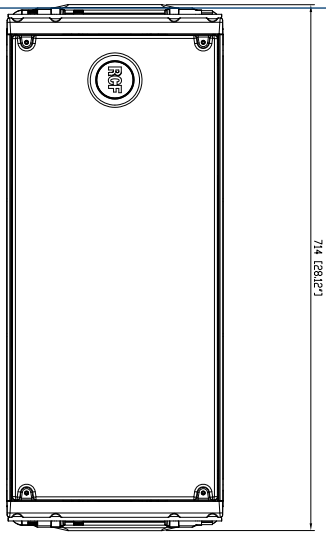
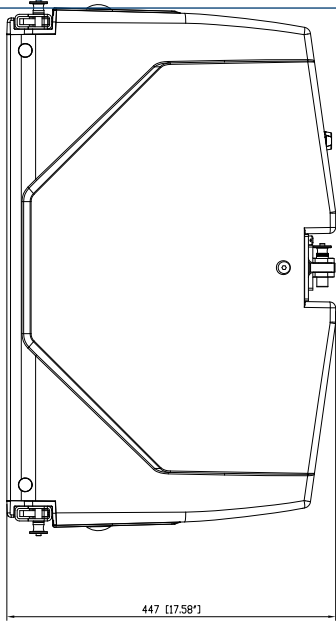
EAN 8024530009977

• **13040007**

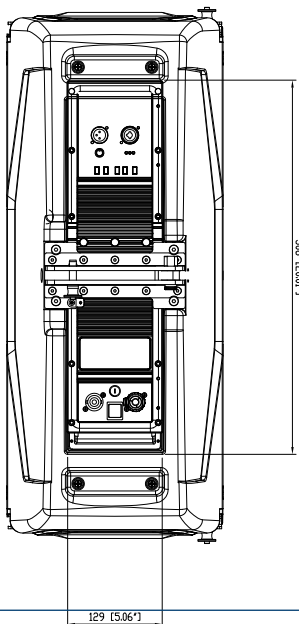
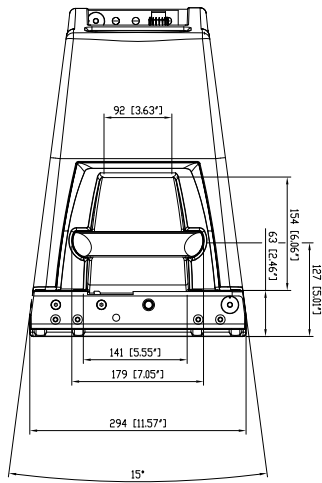
HDL 20-A

220-240V

EAN 8024530009960



HDL20-A



ACCESSORIES

AC 2X AZIMUT PLATE

PART NUMBER **13360351**
EAN: 8024530013516

AC POWER CABLE 6X TTL55

PART NUMBER **13360138**
EAN:

CABLES KIT CBL LK 25 MULTIPIN 10M

PART NUMBER **12399023**
EAN: 8024530013837

CABLES KIT CBL LK 25 MULTIPIN 20M

PART NUMBER **12399022**
EAN: 8024530013820

CABLES KIT CBL LKS 19 ARRAY FANOUT

PART NUMBER **12399024**
EAN: 8024530013905

CABLES KIT CBL LKS 19 BREAKOUT

PART NUMBER **12399026**
EAN: 8024530013929

CABLES KIT CBL LKS 19 POWER 10M

PART NUMBER **12399027**
EAN: 8024530013936

CABLES KIT CBL LKS 19 SUB FANOUT

PART NUMBER **12399025**
EAN: 8024530013912

CABLES KIT CBL LKS 25-2 FANOUT

PART NUMBER **12399021**
EAN: 8024530013813



CABLES KIT CBL POWER BOX 6X

PART NUMBER **13360145**
EAN: 8024530015534

CABLES KIT CBL POWERCON LINK 0.7M

PART NUMBER **12399031**
EAN: 8024530013738

CABLES KIT CBL POWERCON LINK 1.5M

PART NUMBER **12399030**
EAN: 8024530013721

CABLES KIT CBL POWERCON LINK 10M

PART NUMBER **12399028**
EAN: 8024530013707

CABLES KIT CBL POWERCON LINK 5M

PART NUMBER **12399029**
EAN: 8024530013714

FLY BAR FL-B HDL 20-18

PART NUMBER **13360218**
EAN: 8024530013967

FLY BAR LIGHT FL-B LGT HDL 20

PART NUMBER **13360229**
EAN: 8024530010225

FLY BAR PICKUP FL-B PK HDL 20-18

PART NUMBER **13360221**
EAN: 8024530018221

KART WITH WHEELS 4X HDL20

PART NUMBER **13360223**
EAN: 8024530014018

LINK BAR FL-B LINK HDL 20-18 2X

PART NUMBER **13360225**
EAN: 8024530018184



LKS 19-20 POWER CABLE

PART NUMBER **13360146**
EAN: 8024530013943



QUICK LOCK PIN QL-PIN D9.6 L21.3 4X

PART NUMBER **13360219**
EAN: 8024530015763



QUICK LOCK PIN QL-PIN D9.6 L26.9 4X

PART NUMBER **13360220**
EAN: 8024530015770



RAIN PROTECTION RP 2X HDL 20

PART NUMBER **13360283**
EAN: 8024530015886