

EOL 3-9

END OF LINE

DESCRIPTION

EOL 3-9 is a End Of Line terminator that allow accurate monitoring of speakers lines integrity, and it is suitable for DXT 9000 and DXT 3000 Voice Alarm systems.



FEATURES

- 20 Hz resonator
- 200 Ohm impedance
- Ceramic terminal with thermal fuse
- Plastic case UL94 V0
- To be used with RCF cables CV 210, CV 215, CV 225

TECHNICAL SPECIFICATIONS**General specifications**

Input connectors	Ceramic screw terminals
Output connectors	Ceramic screw terminals
Resonance Frequency (RF)	20 Hz
Impedance @ RF	200 Ohm
Works with:	DXT 9000 / DXT 3000

Standard compliance

EN54-16 certified:	Yes
CE marking:	Yes
CPR number:	0068-CPR-002/2014 0068-CPR-007/2015

Physical specifications

Cabinet/Case Material:	Plastic
------------------------	---------

Size

Height:	145 mm / 5.71 inches
Width:	80 mm / 3.15 inches
Depth:	70 mm / 2.76 inches
Weight:	540 kg / 1190.49 lbs

Shipping informations

Package Height:	70 mm / 2.76 inches
Package Width:	150 mm / 5.91 inches
Package Depth:	85 mm / 3.35 inches
Package Weight:	0.66 kg / 1.46 lbs

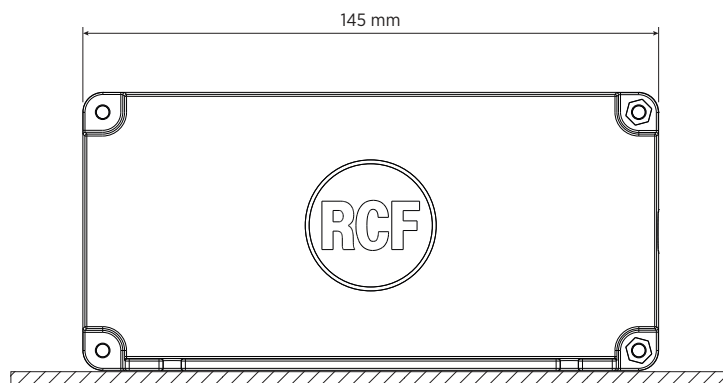
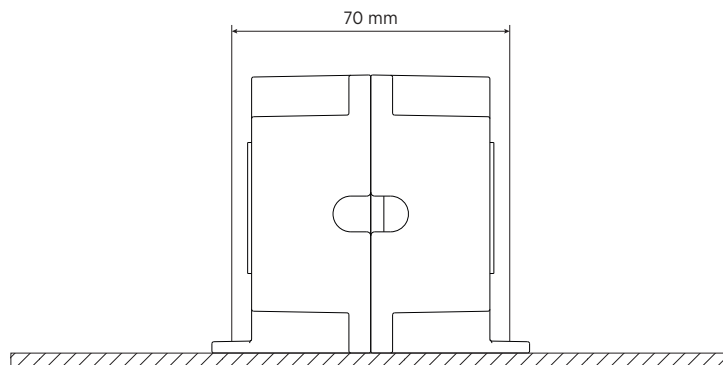
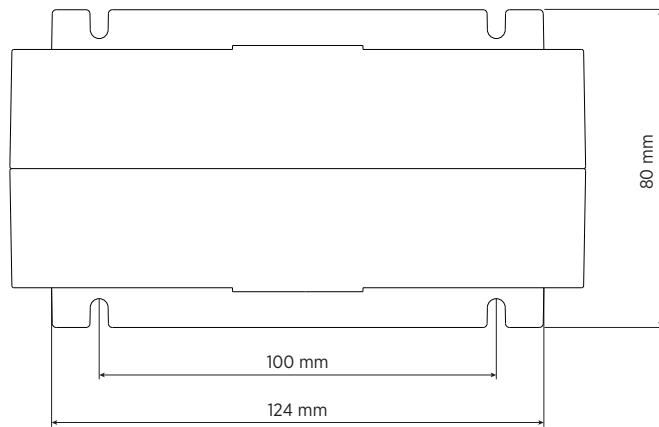
PART NUMBER

- **17170176**

EOL 3-9

EAN 8024530011864

DRAWINGS





ACCESSORIES