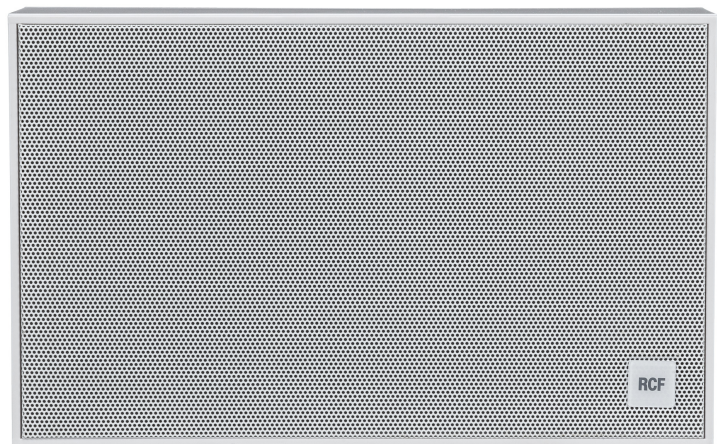


# DUP 5EN

## WALL MOUNT UNIVERSAL PLASTIC SPEAKER

### DESCRIPTION

DUP 5EN is a universal speaker designed for wall installation. It is especially suitable for broadcasting alarm messages thanks to the highly intelligible sound reproduction and its resistance to high temperatures reached during fires. The terminal connection blocks, for input and output flameproof cables, are made of ceramic material. A thermal fuse protects the integrity of the line in case of heat affecting the speaker. Cables inside speaker made using flameproof leads.



### FEATURES

- 5.5" fullrange transducer.
- Power selectable (100 V): 6 W – 3 W – 1.5 W.
- 92 dB sensitivity.
- Colour white RAL 9016.
- Plastic body and steel grille.
- In/out ceramic terminal block.
- Thermal fuse protection.

## TECHNICAL SPECIFICATIONS

<b>Acoustical specifications</b>	Frequency Response (-10dB):	130 Hz ÷ 17000 Hz
	Max SPL @ 1m:	100 dB
	Max SPL @ 4m:	88 dB
	Coverage angle:	180°
	System Sensitivity:	92 dB
	System Sensitivity 1W @ 4m:	80 dB
<b>Power section</b>	Power Handling:	6 W
	Peak Power Handling:	24 W PEAK
	Recommended Amplifier:	12 W
	Protections:	Thermal fuse
<b>Transducers</b>	Fullrange:	5.5"
<b>Input/Output section</b>	Input connectors:	Ceramic screw terminals
	Output connectors:	Ceramic screw terminals
	Constant Voltage Transformer:	100 V
	Power selection 1:	6 W - 1667 ohm
	Power selection 2:	3 W - 3333 ohm
	Power selection 3:	1.5 W - 6667 ohm
<b>Standard compliance</b>	EN54-24 certified:	Yes
	CE compliance:	Yes
	CPR number:	0068-CPPR-085/2017
<b>Physical specifications</b>	Cabinet/Case Material:	ABS
	Grille:	Steel
	Color:	White - RAL 9016
<b>Size</b>	Height:	166 mm / 6.54 inches
	Width:	267 mm / 10.51 inches
	Depth:	80 mm / 3.15 inches
	Weight:	1.15 kg / 2.54 lbs
<b>Shipping informations</b>	Package Height:	90 mm / 3.54 inches
	Package Width:	280 mm / 11.02 inches
	Package Depth:	170 mm / 6.69 inches
	Package Weight:	1.15 kg / 2.54 lbs

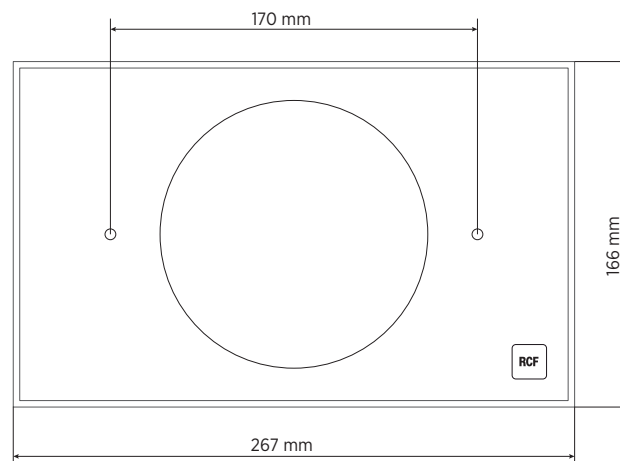
## PART NUMBER

- **13100019**

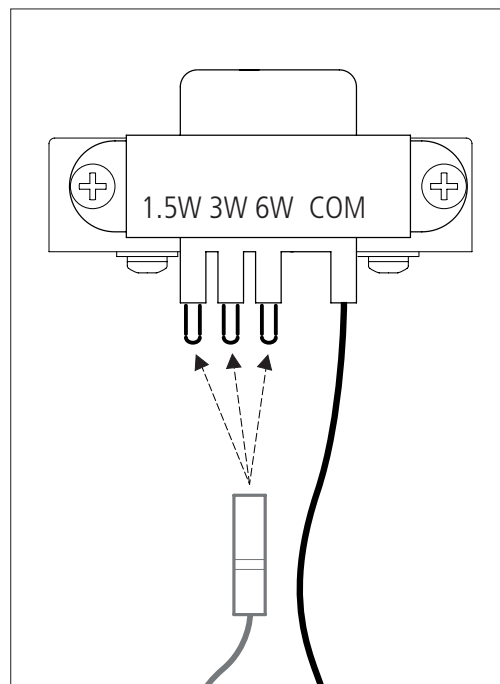
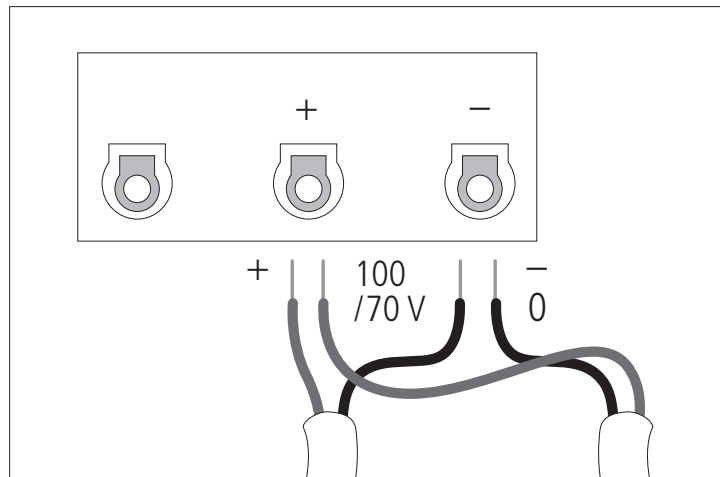
DUP 5EN

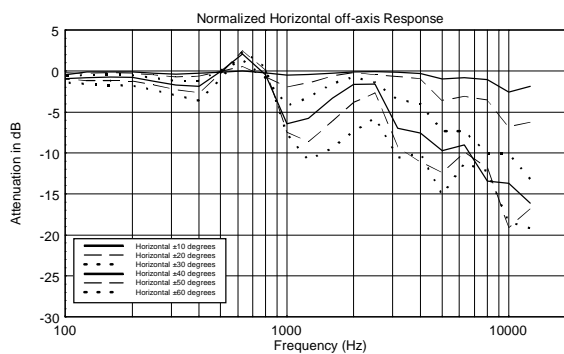
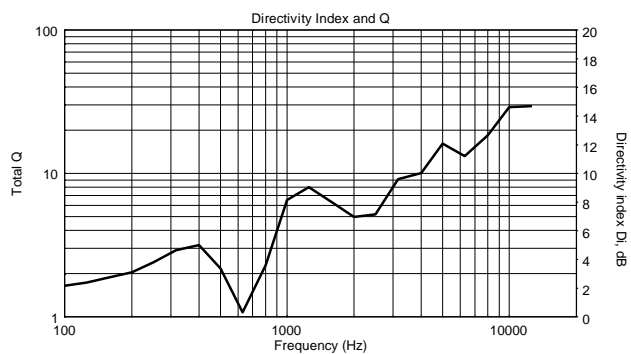
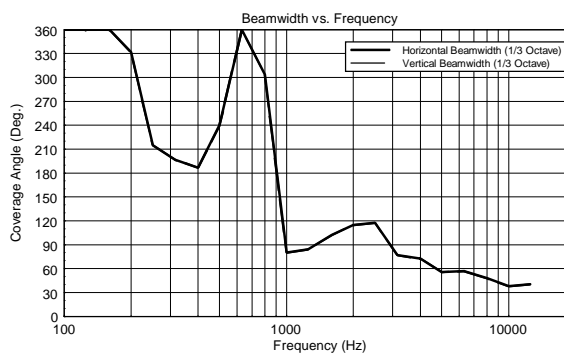
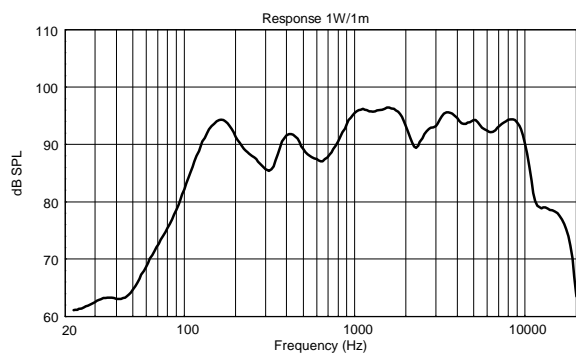
EAN 8024530014759

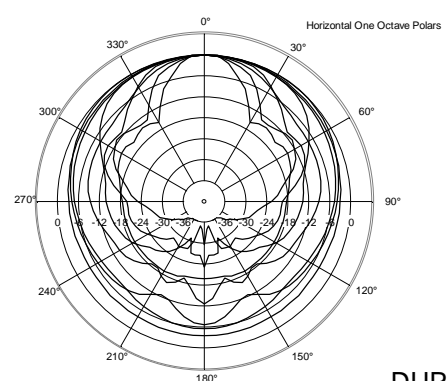
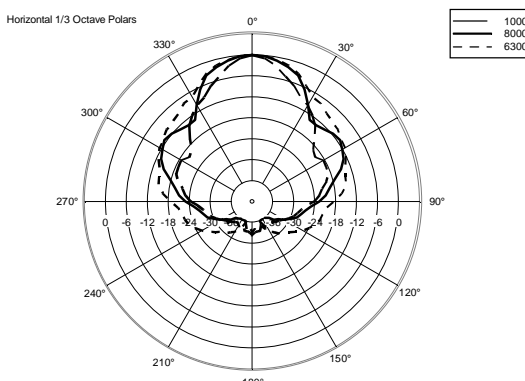
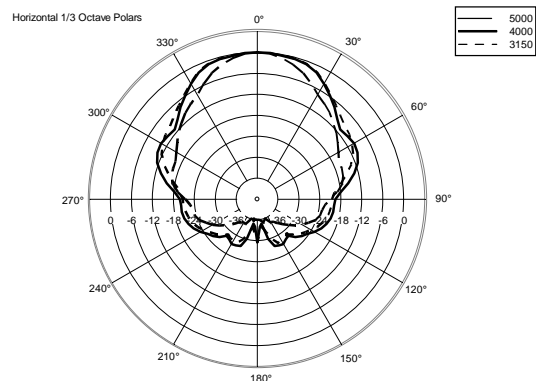
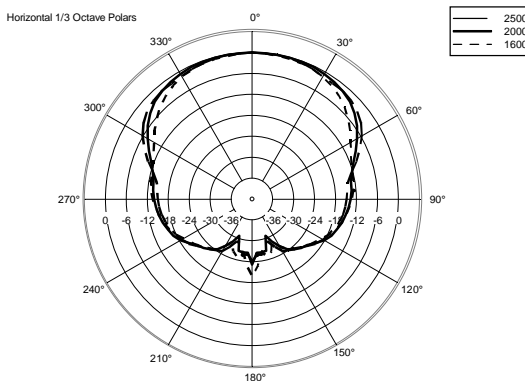
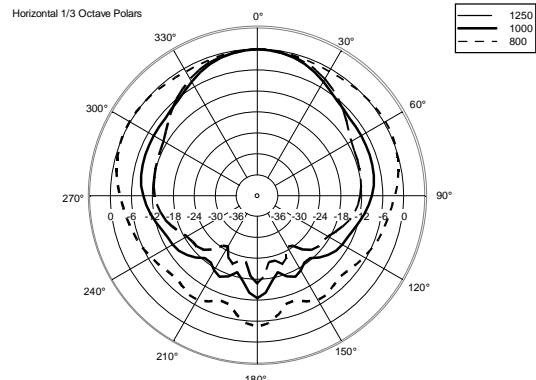
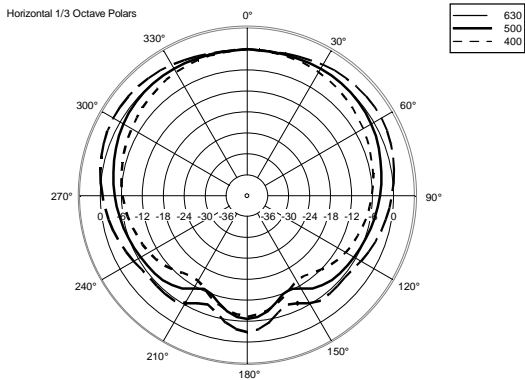
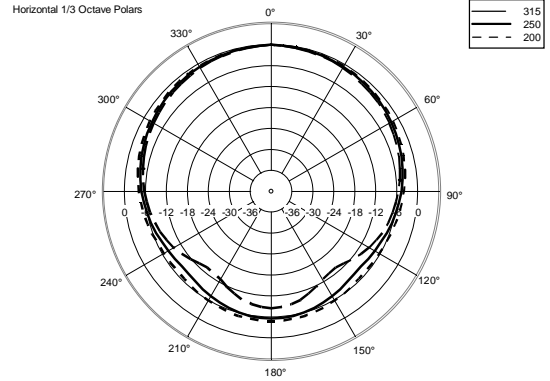
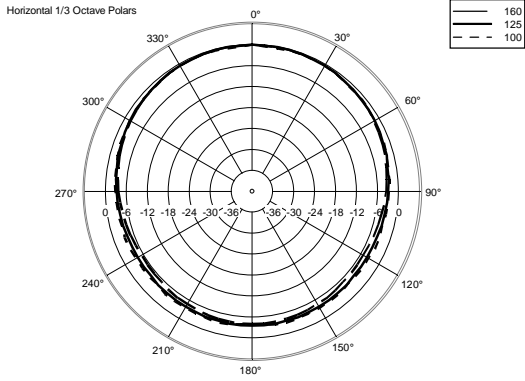
**DRAWINGS**



**SCHEMATICS**







**ACCESSORIES**



CV 225 CABLE SPEAKER 100V SEZ 2X2.5MMQ EV

PART NUMBER

**14380032**

EAN:

8024530012182

---



## **A&E SPECIFICATIONS**

The product shall be an universal speaker designed for wall installation, suitable for broadcasting background music into commercial spaces, but also alarm messages, thanks to the highly intelligible voice reproduction and the EN 54-24 certification.

The terminal connection blocks, for input and output flameproof cables, shall be made of ceramic material. A thermal fuse shall protect the line integrity in case of heat affecting the speaker.

## **NOTES**

NO CAUTION is NECESSARY in case of ALERTED PERSON for AUDIO voltages up to 120V, when warning symbols are present near the connection terminals. In the case of AUDIO voltages up to 71V, it is not even necessary to put warning symbols.

No need of linking to earth metal parts of speakers equipped with transformers and connected to 70.7 V / 100 V outputs of power amplifiers that do not have any reference to earth (ref. EN 62368-1 item 4.3.2.2 ), unless specific local requirements.

---