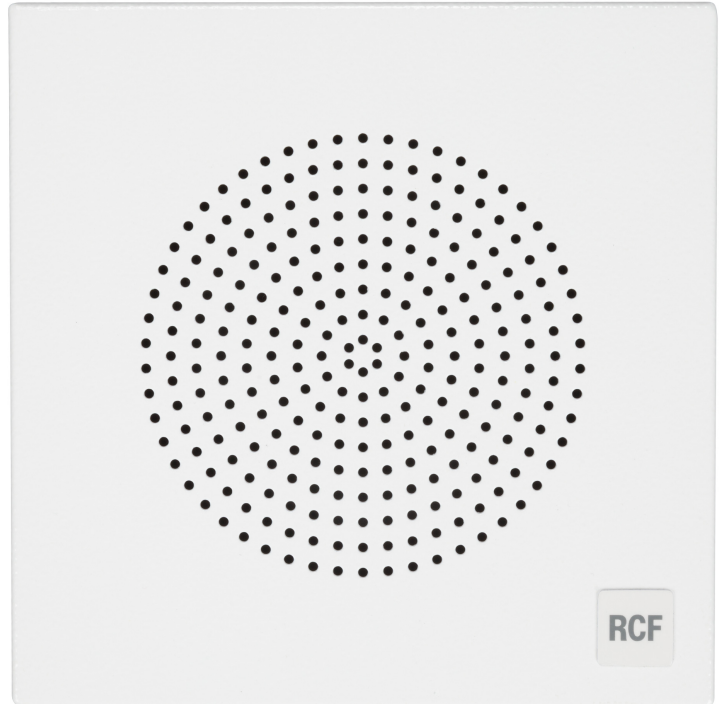


DU 50EN

WALL AND CEILING UNIVERSAL STEEL SPEAKER

DESCRIPTION

DU 50EN is a universal speaker designed for wall and ceiling installation. It is especially suitable for broadcasting alarm messages thanks to the highly intelligible sound reproduction and its resistance to high temperatures reached during fires. The terminal connection blocks, for input and output flameproof cables, are made of ceramic material. A thermal fuse protects the integrity of the line in case of heat affecting the speaker. Ground screw available (if needed). Cables inside speaker made using flameproof leads.



FEATURES

- 5" fullrange transducer.
- Power selectable (100 V): 6 W – 3 W – 1.5 W – 0.75 W.
- 91 dB sensitivity.
- Colour white RAL 9010.
- Steel body and grille.
- In/out ceramic terminal block.
- Thermal fuse protection.

TECHNICAL SPECIFICATIONS

Acoustical specifications	Frequency Response (-10dB):	190 Hz ÷ 18000 Hz
	Max SPL @ 1m:	100 dB
	Max SPL @ 4m:	88 dB
	Coverage angle:	175°
	System Sensitivity:	91 dB
	System Sensitivity 1W @ 4m:	79 dB
Power section	Power Handling:	6 W
	Peak Power Handling:	24 W PEAK
	Recommended Amplifier:	12 W
	Protections:	Thermal fuse
Transducers	Fullrange:	5.0"
Input/Output section	Input connectors:	Ceramic screw terminals
	Output connectors:	Ceramic screw terminals
	Constant Voltage Transformer:	100 V
	Power selection 1:	6 W - 1667 ohm
	Power selection 2:	3 W - 3333 ohm
	Power selection 3:	1.5 W - 6667 ohm
	Power selection 4:	0.75 W - 13333 ohm
Standard compliance	EN54-24 certified:	Yes
	CE compliance:	Yes
	CPR number:	1488-CPR-0489/W
Physical specifications	Cabinet/Case Material:	Metal
	Grille:	Steel
	Color:	White - RAL 9010
Size	Height:	164 mm / 6.46 inches
	Width:	164 mm / 6.46 inches
	Depth:	60 mm / 2.36 inches
	Weight:	1.9 kg / 4.19 lbs
Shipping informations	Package Height:	70 mm / 2.76 inches
	Package Width:	185 mm / 7.28 inches
	Package Depth:	180 mm / 7.09 inches
	Package Weight:	1.9 kg / 4.19 lbs



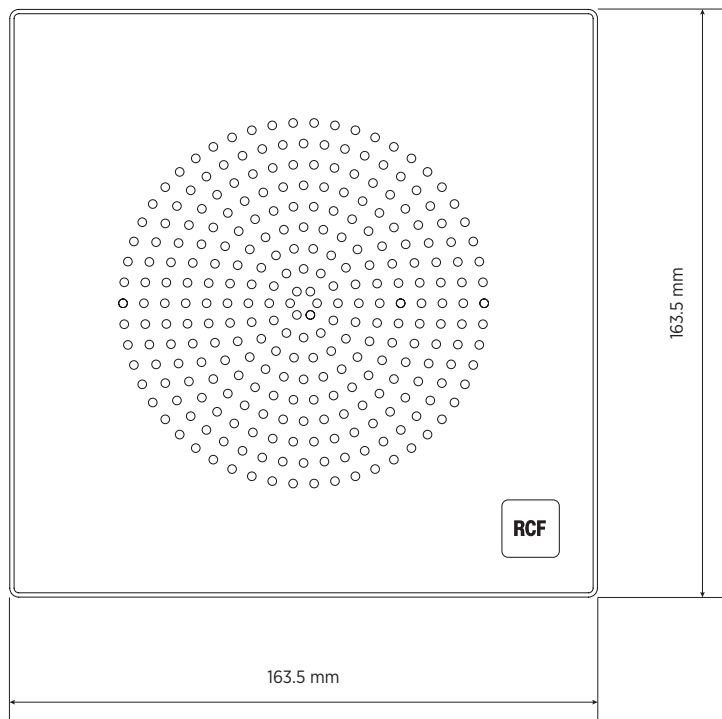
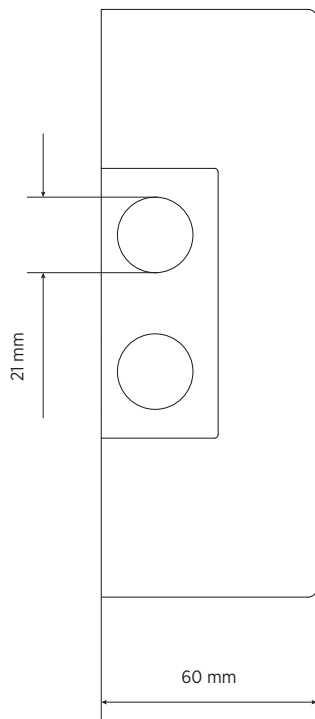
PART NUMBER

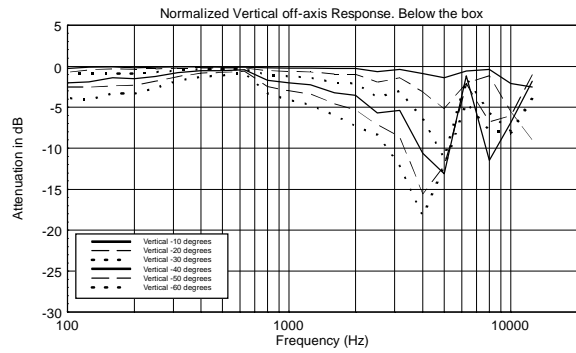
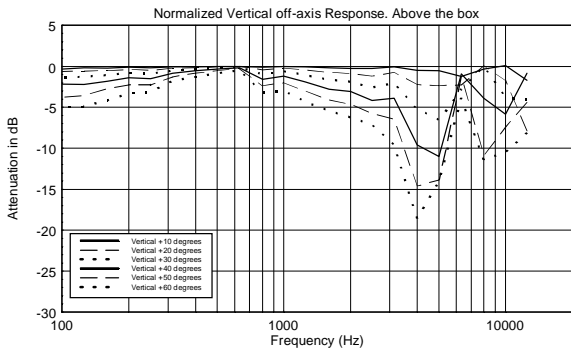
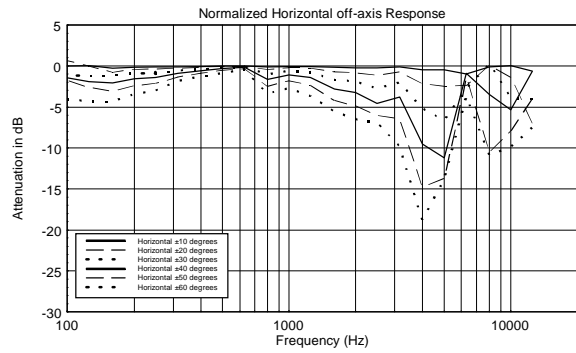
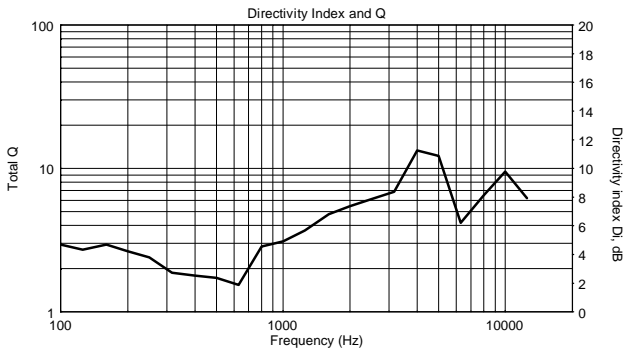
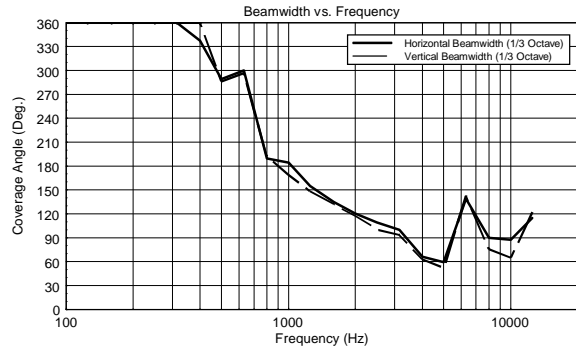
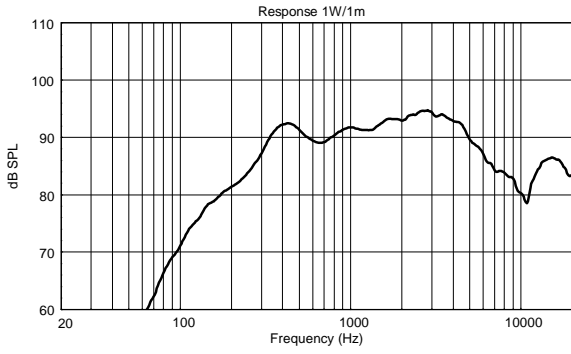
- **13133064**

DU 50EN

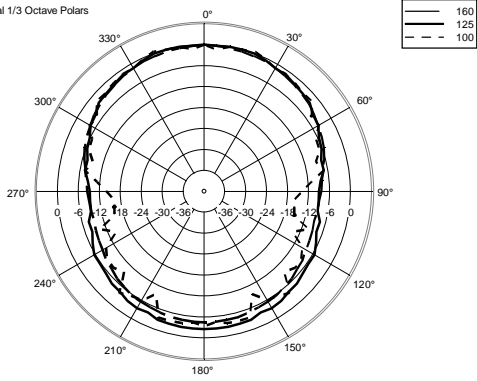
EAN 8024530007584

DRAWINGS

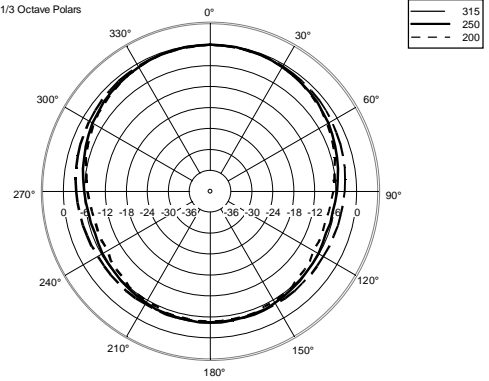




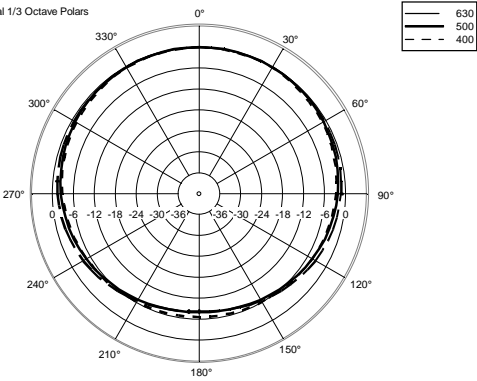
Horizontal 1/3 Octave Polars



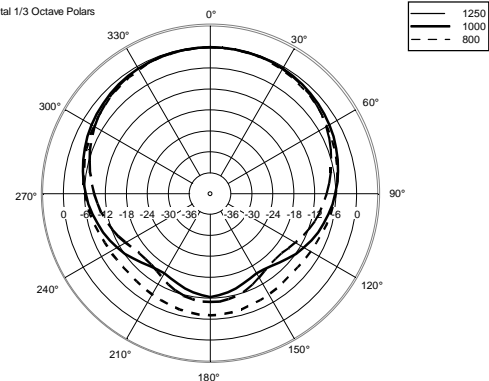
Horizontal 1/3 Octave Polars



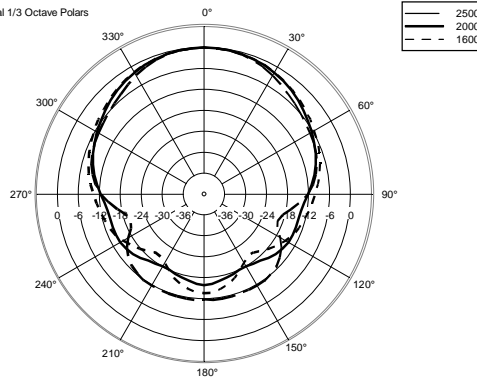
Horizontal 1/3 Octave Polars



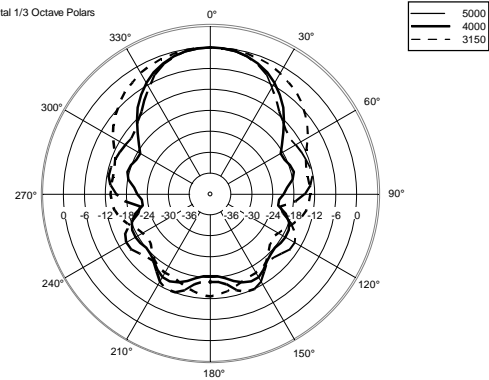
Horizontal 1/3 Octave Polars



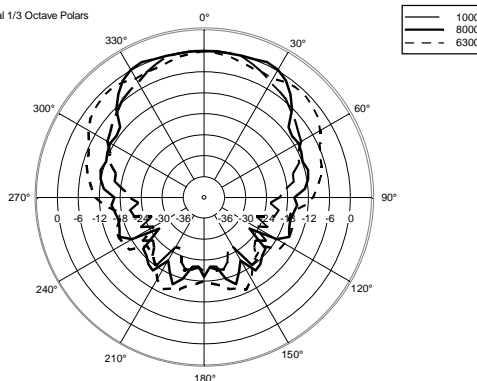
Horizontal 1/3 Octave Polars



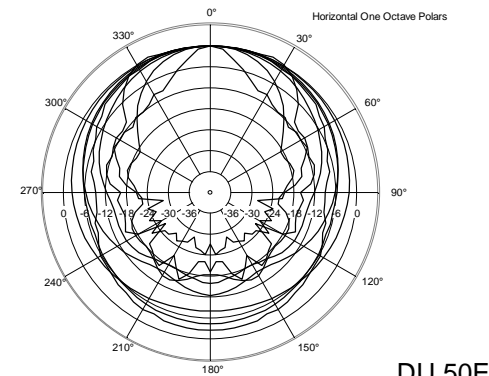
Horizontal 1/3 Octave Polars

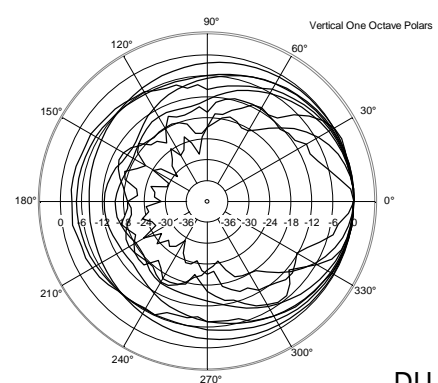
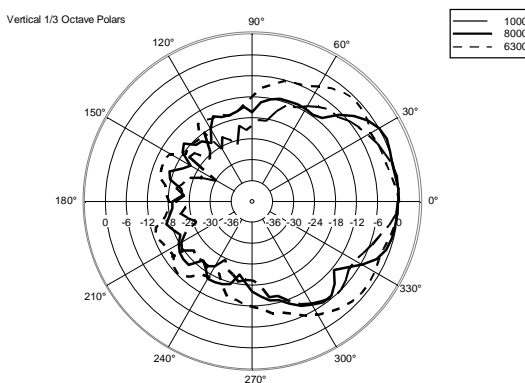
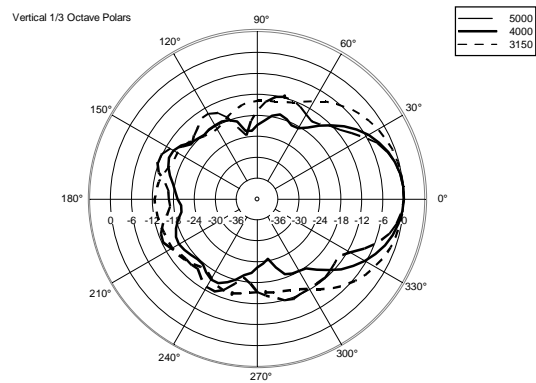
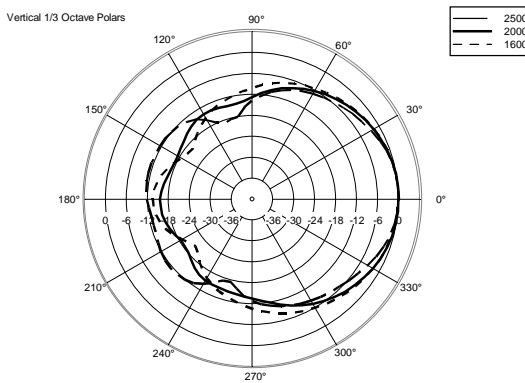
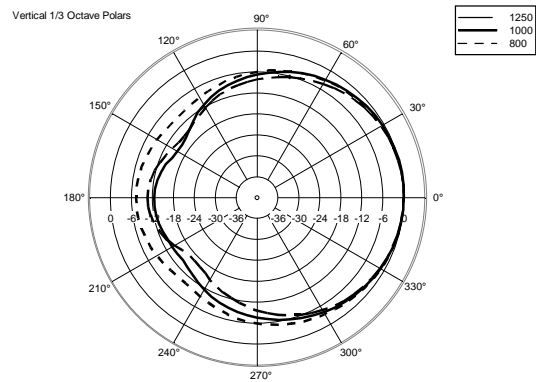
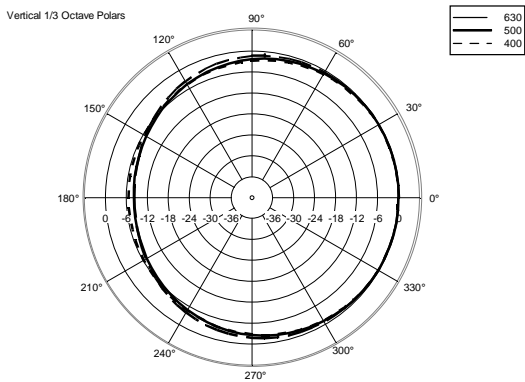
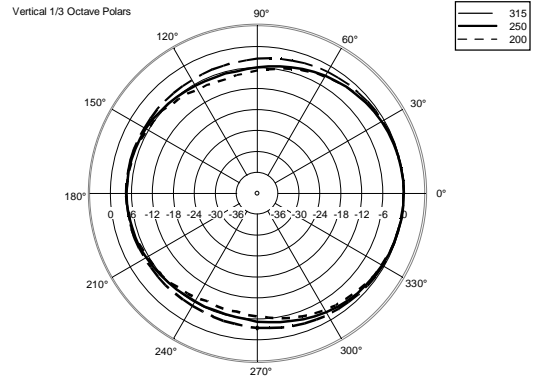
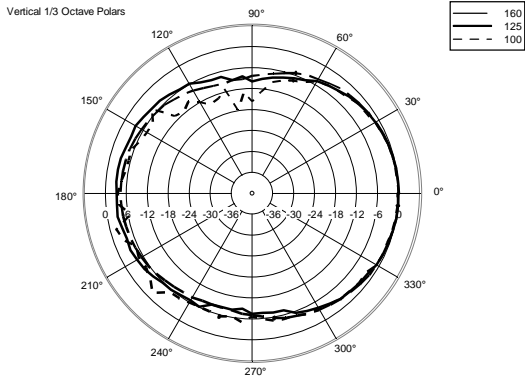


Horizontal 1/3 Octave Polars



Horizontal One Octave Polars





ACCESSORIES



CV 225 CABLE SPEAKER 100V SEZ 2X2.5MMQ EV

PART NUMBER

14380032

EAN:

8024530012182



A&E SPECIFICATIONS

The product shall be an universal speaker designed for both wall and ceiling installation, suitable for broadcasting background music into commercial spaces, but also alarm messages, thanks to the highly intelligible voice reproduction and the EN 54-24 certification.

The terminal connection blocks, for input and output flameproof cables, shall be made of ceramic material. A thermal fuse shall protect the line integrity in case of heat affecting the speaker.

NOTES

NO CAUTION is NECESSARY in case of ALERTED PERSON for AUDIO voltages up to 120V, when warning symbols are present near the connection terminals. In the case of AUDIO voltages up to 71V, it is not even necessary to put warning symbols.

No need of linking to earth metal parts of speakers equipped with transformers and connected to 70.7 V / 100 V outputs of power amplifiers that do not have any reference to earth (ref. EN 62368-1 item 4.3.2.2), unless specific local requirements.
