

COMPACT M 10

TWO-WAY PROFESSIONAL SPEAKER

DESCRIPTION

COMPACT M 10 is a multipurpose two-way full-range speaker system, suitable for a wide range of applications. Its balanced sound is a big asset in near-field applications for the best intelligibility. The M 10 features high sensitivity, typical of professional audio cabinets thanks to the use of oversized magnets and a HI-FI sound quality, with smooth and wide frequency response, thanks to the wave-guided compression driver. The SPL level of low-distortion audio the M 10 can provide goes far beyond expectations of such a compact solution. The elegant and compact design with accurate finishing makes M 10 suitable for almost any environment, even with architectural constraints. Optional mounting accessories allow using M 10 on wall or ceiling installations.



FEATURES

- 300 W RMS power handling
- 128 dB max SPL
- 60 ÷ 20000 Hz frequency range
- 90° x 70° constant directivity coverage angle
- 1 x 10" high power woofer
- 1 x 1.4" voice coil compression driver
- High quality plywood cabinet
- Steel front grille with clothing
- Installation points available on rear, top and bottom panels
- 4 pole EUROBLOCK connector (audio input and parallel link output)

TECHNICAL SPECIFICATIONS

Acoustical specifications	Frequency Response (-10dB):	60 Hz ÷ 20000 Hz
	Max SPL @ 1m:	128 dB
	Horizontal coverage angle:	90°
	Vertical coverage angle:	70°
	Directivity index Q:	9
	System Sensitivity:	98 dB
Power section	Nominal Impedance:	8 ohm
	Power Handling:	300 W
	Peak Power Handling:	1200 W PEAK
	Recommended Amplifier:	600 W
	Protections:	Dynamic active mosfet
	Crossover Frequencies:	1800 Hz
Transducers	Compression Driver:	1 x 1.0", 1.4" v.c
	Woofers:	10", 2.5" v.c
Input/Output section	Input connectors:	Euroblock
	Output connectors:	Euroblock
Standard compliance	CE compliance:	Yes
Physical specifications	Cabinet/Case Material:	Plywood
	Hardware:	8 x M8, 8 x M10
	Grille:	Steel with clothing
	Color:	Black - RAL 9005, White - RAL 9003
Size	Height:	510 mm / 20.08 inches
	Width:	295 mm / 11.61 inches
	Depth:	325 mm / 12.8 inches
	Weight:	17 kg / 37.48 lbs
Shipping informations	Package Height:	545 mm / 21.46 inches
	Package Width:	363 mm / 14.29 inches
	Package Depth:	333 mm / 13.11 inches
	Package Weight:	20 kg / 44.09 lbs

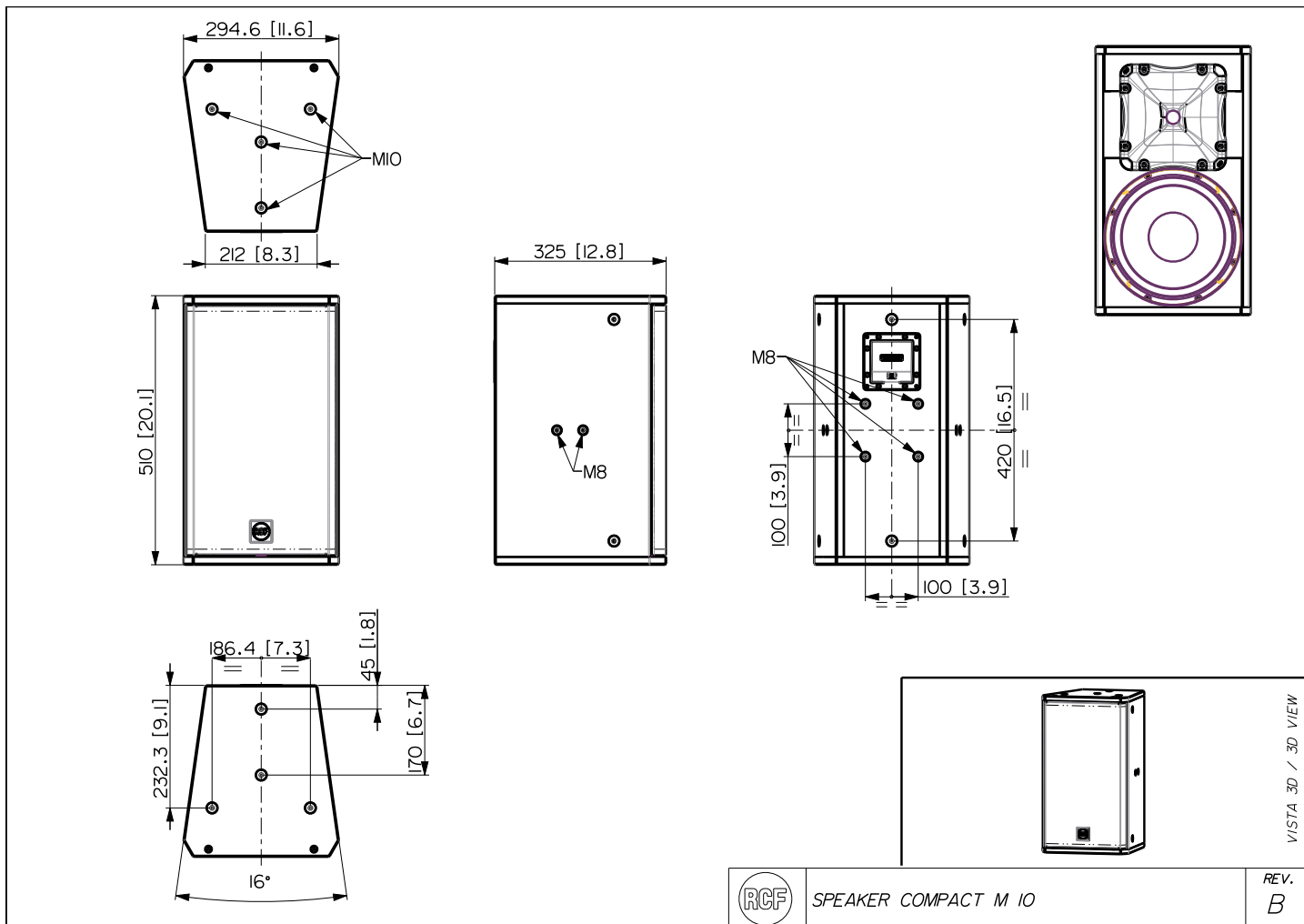
PART NUMBER

- **13000723**

COMPACT M 10 W
White - RAL 9003
EAN 8024530019358

- **13000595**

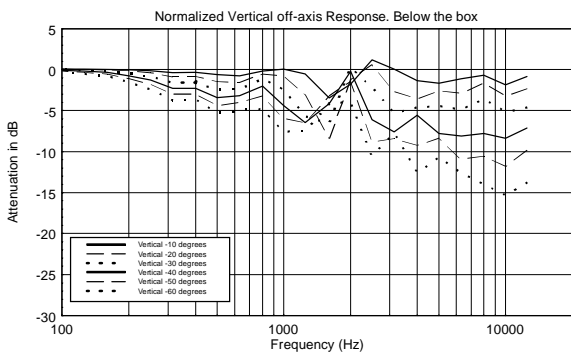
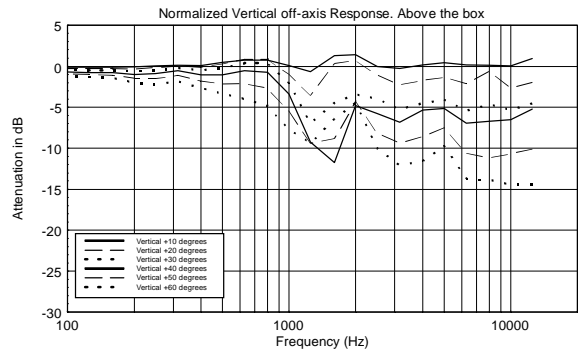
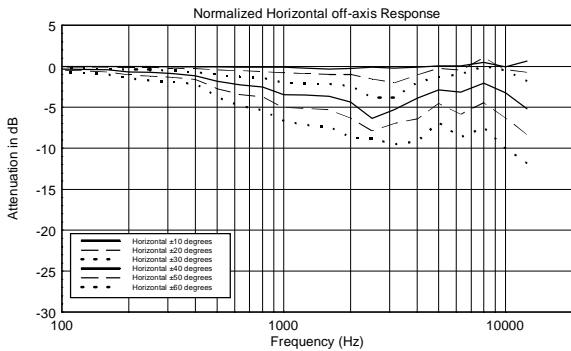
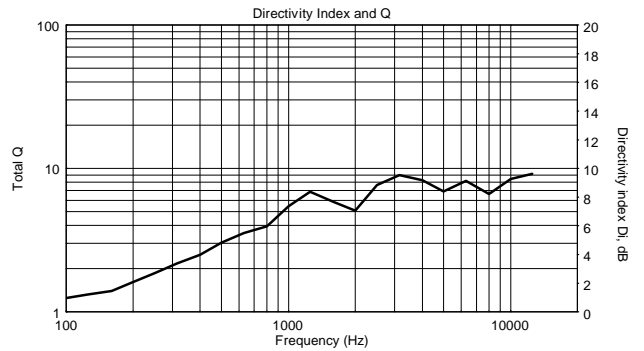
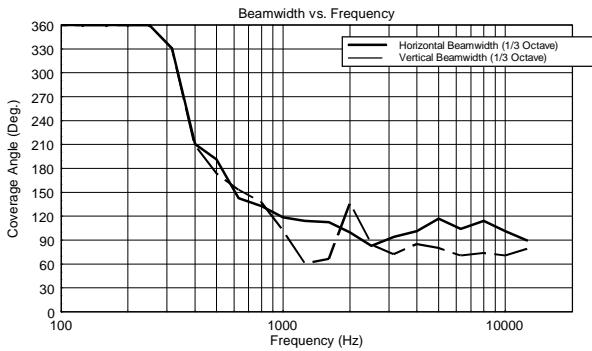
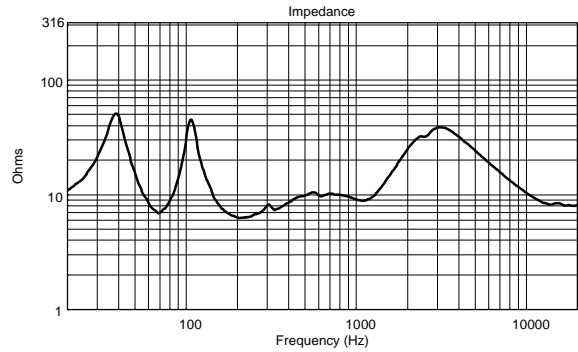
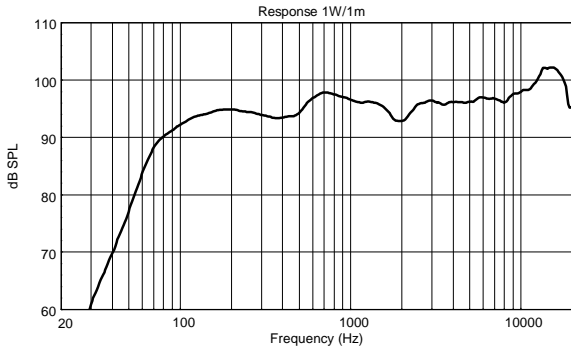
COMPACT M 10
Black - RAL 9005
EAN 8024530017804



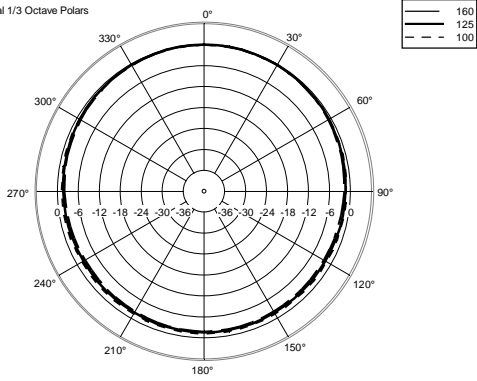
SPEAKER COMPACT M 10

REV.
B

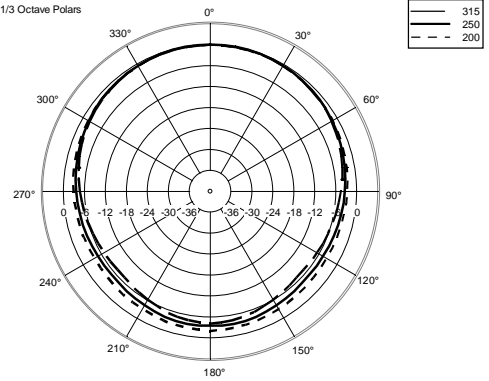
VISTA 3D / 3D VIEW



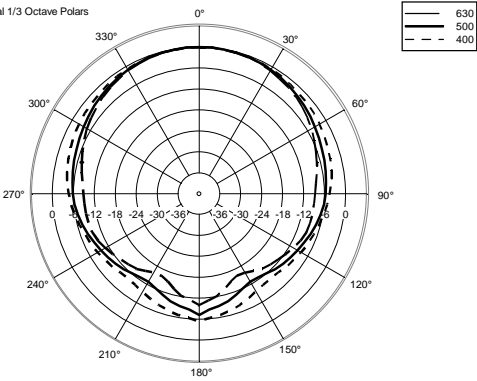
Horizontal 1/3 Octave Polars



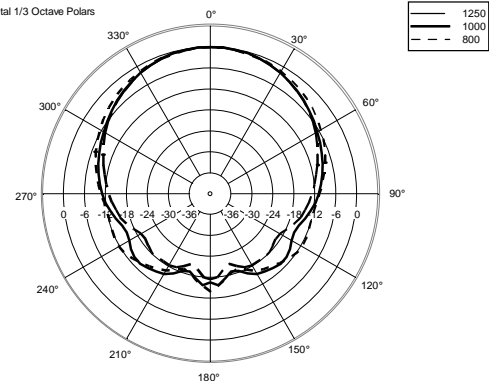
Horizontal 1/3 Octave Polars



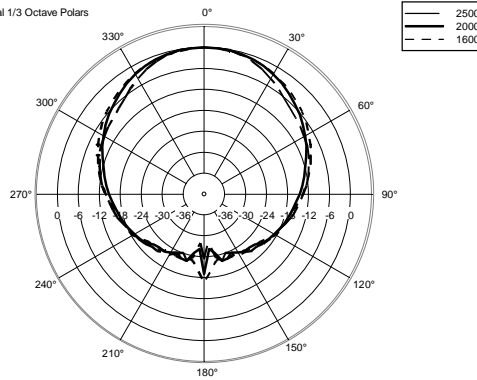
Horizontal 1/3 Octave Polars



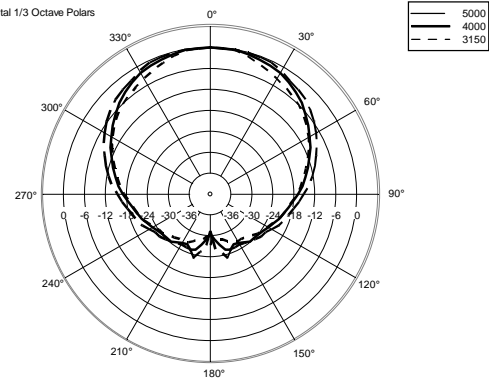
Horizontal 1/3 Octave Polars



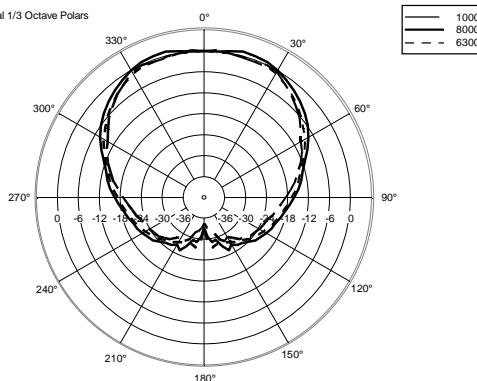
Horizontal 1/3 Octave Polars



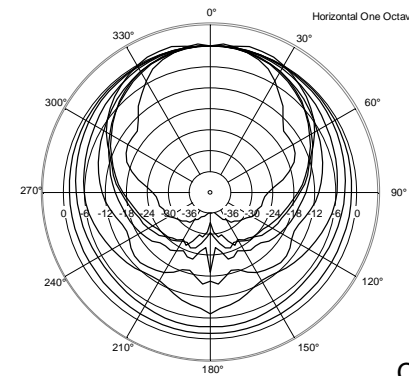
Horizontal 1/3 Octave Polars

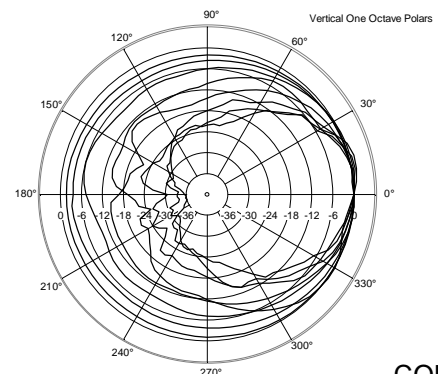
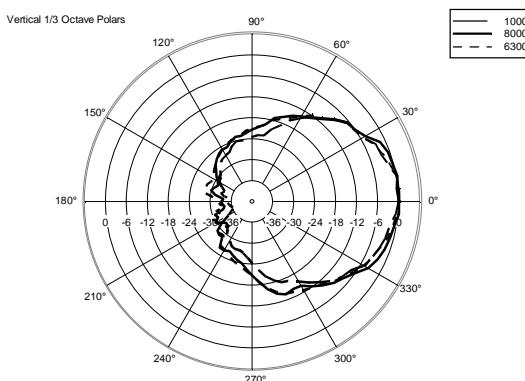
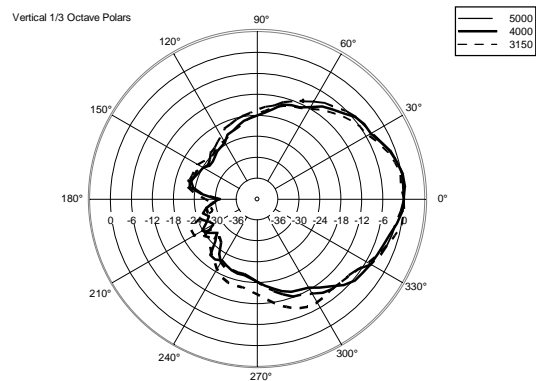
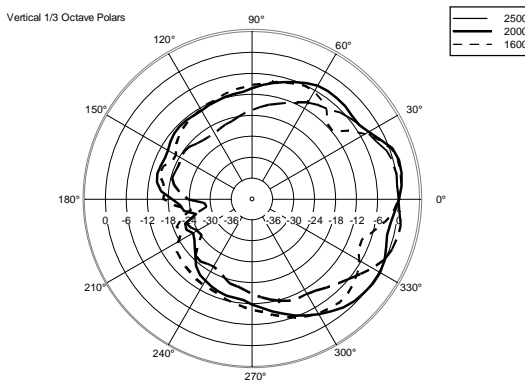
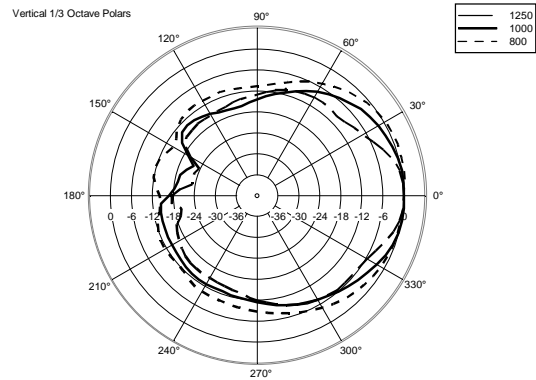
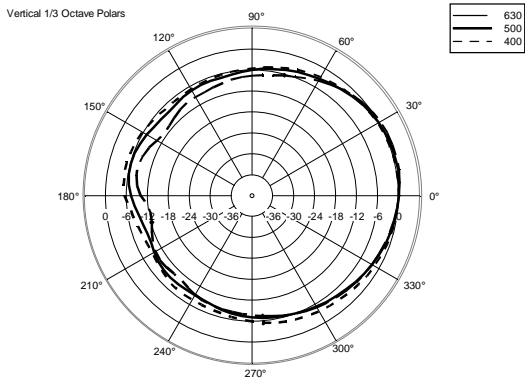
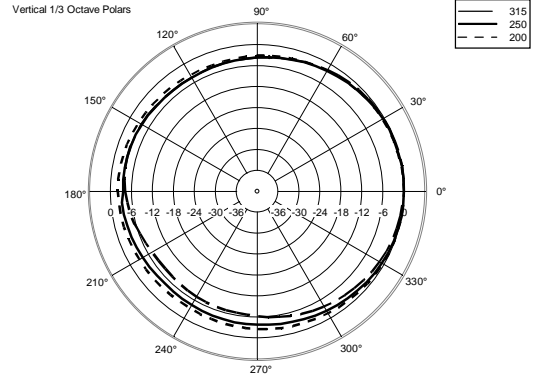
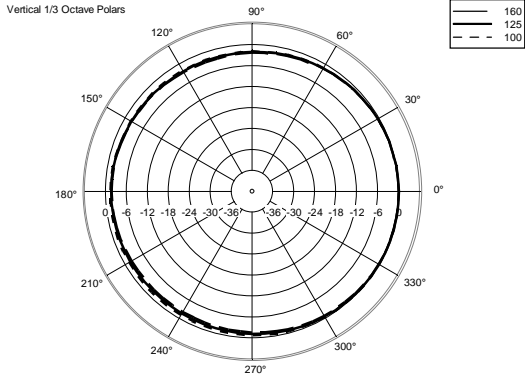


Horizontal 1/3 Octave Polars



Horizontal One Octave Polars





ACCESSORIES

HORIZ. BRACKET H-BR 2X COMPACT M 10

PART NUMBER **13360444**
EAN: 8024530018276

HORIZ. BRACKET H-BR 2X COMPACT M 10 W

PART NUMBER **13360463**
EAN: 8024530019563

PANEL PNL IN-OUT SPEAKON

PART NUMBER **12399062**
EAN: 8024530018733

VERTICAL BRACKET V-BR 2X COMPACT M 10

PART NUMBER **13360447**
EAN: 8024530018306

VERTICAL BRACKET V-BR 2X COMPACT M 10 W

PART NUMBER **13360466**
EAN: 8024530019587

WALL MOUNT BRACKET SWM-BR NC

PART NUMBER **13360199**
EAN: 8024530007355



A&E SPECIFICATIONS

The product shall be a multipurpose two-way full-range speaker, suitable for a wide range of applications, providing a balanced sound in near-field applications to get the best intelligibility.

It shall feature high sensitivity, typical of professional audio cabinets having oversized magnets and a Hi-Fi sound quality, with smooth and wide frequency response, thanks to a wave-guided compression driver.

Its design shall be elegant and compact with accurate finishing, suitable for almost any environment, even with architectural constraints.

Optional mounting accessories shall be available for wall or ceiling installations.
