

COMPACT M 04

TWO-WAY PASSIVE SPEAKER

DESCRIPTION

COMPACT M 04 is a multipurpose two-way full-range coaxial speaker system, suitable for a wide range of applications. Its balanced sound is a big asset in near-field applications for the best intelligibility. M 04 features high sensitivity, thanks to the use of oversized magnets, and a HI-FI sound quality, with smooth and wide frequency response. The SPL level of low-distortion audio the M 04 can provide goes far beyond expectations of such a compact solution. The elegant and compact design with accurate finishing makes M 04 suitable for almost any environment, even with architectural constraints. Included wall mount bracket allow the use of the M 04 on wall or ceiling installations.



FEATURES

- 60W RMS power handling
- 113 dB max SPL
- 90 ÷ 20000 Hz frequency range
- 120° x 120° constant directivity coverage angle
- 1 x 4" coax woofer
- 1 x 1" voice coil neodymium dome tweeter
- High quality plywood cabinet
- Wall mount bracket included

TECHNICAL SPECIFICATIONS

Acoustical specifications	Frequency Response (-10dB):	90 Hz ÷ 20000 Hz
	Max SPL @ 1m:	113 dB
	Horizontal coverage angle:	120°
	Vertical coverage angle:	120°
	Directivity index Q:	6
	System Sensitivity:	89 dB
Power section	Nominal Impedance:	16 ohm
	Power Handling:	60 W
	Peak Power Handling:	240 W PEAK
	Recommended Amplifier:	120 W
	Crossover Frequencies:	1800 Hz
Transducers	Dome Tweeter:	1.0" neo, 1.0" v.c
	Woofers:	4.0", 1.0" v.c
Input/Output section	Input connectors:	Euroblock
	Output connectors:	Euroblock
Standard compliance	CE compliance:	Yes
Physical specifications	Cabinet/Case Material:	Plywood
	Hardware:	2 x M6, 2 x M8
	Grille:	Steel with clothing
	Color:	Black - RAL 9005, White - RAL 9003
Size	Height:	148 mm / 5.83 inches
	Width:	132 mm / 5.2 inches
	Depth:	145 mm / 5.71 inches
	Weight:	2.3 kg / 5.07 lbs
Shipping informations	Package Height:	168 mm / 6.61 inches
	Package Width:	233 mm / 9.17 inches
	Package Depth:	150 mm / 5.91 inches
	Package Weight:	2.9 kg / 6.39 lbs

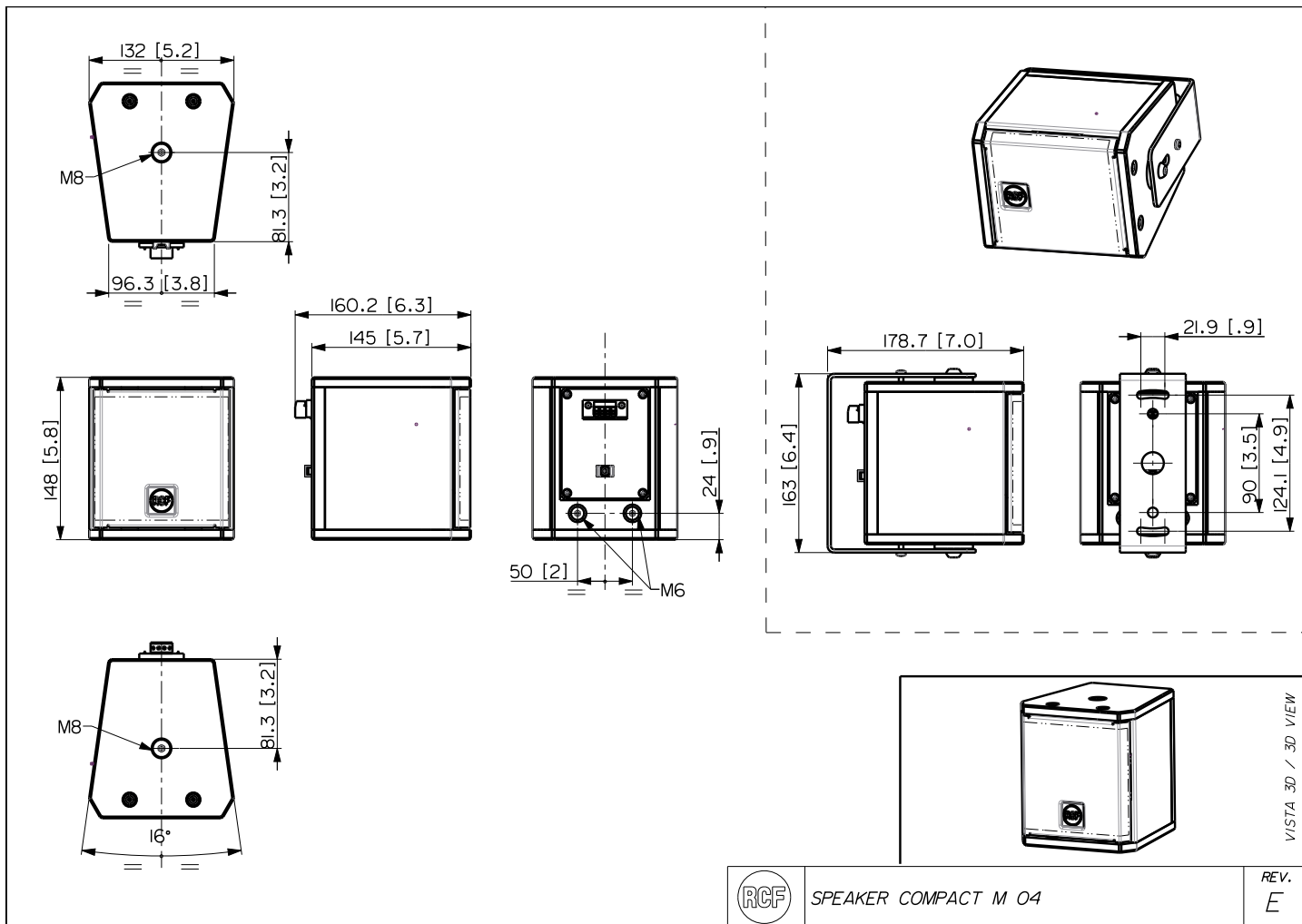
PART NUMBER

- **13000725**

COMPACT M 04 W
White - RAL 9003
EAN 8024530019372

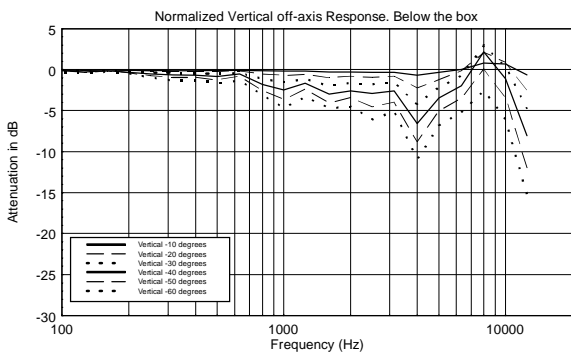
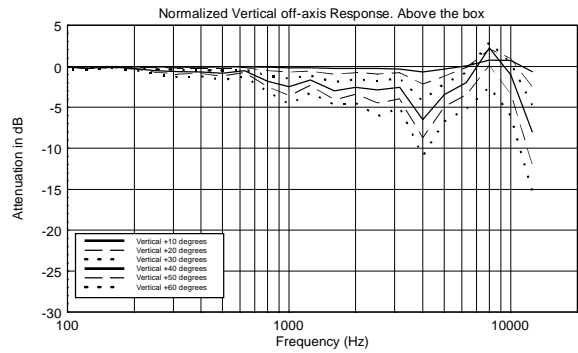
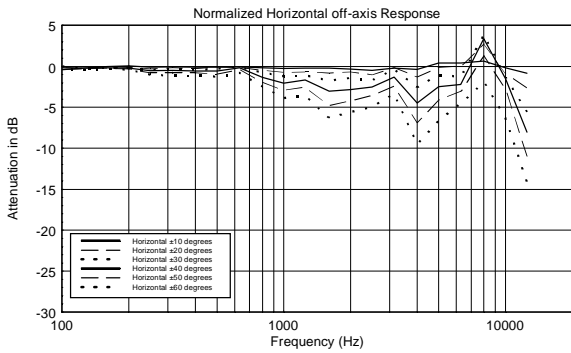
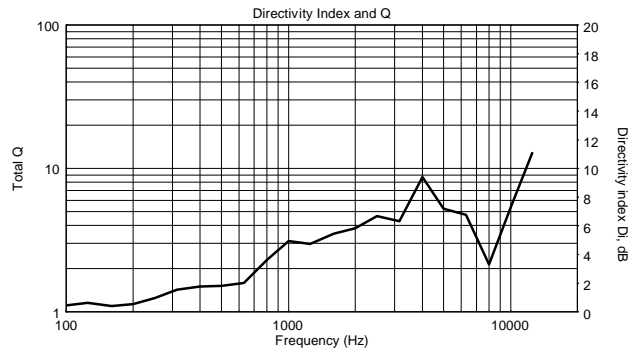
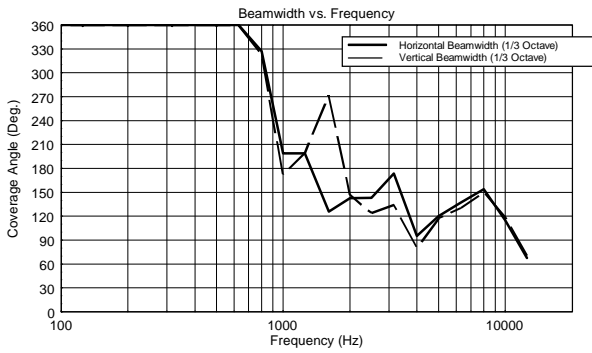
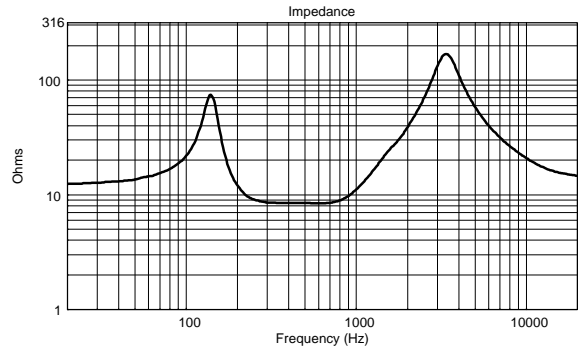
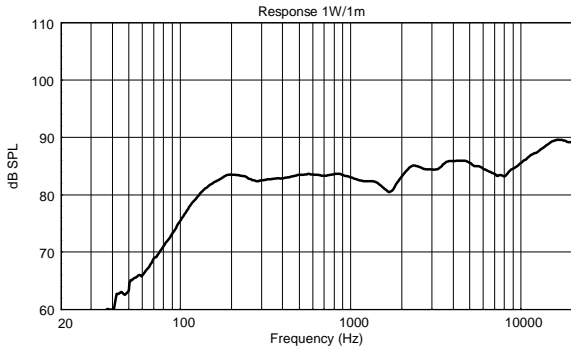
- **13000623**

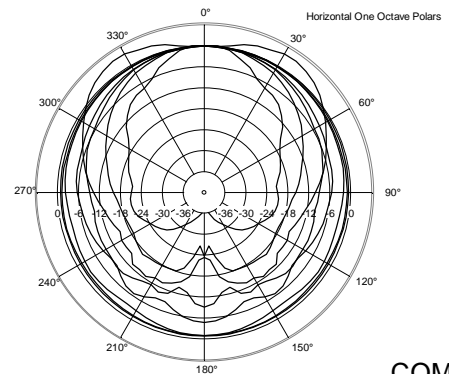
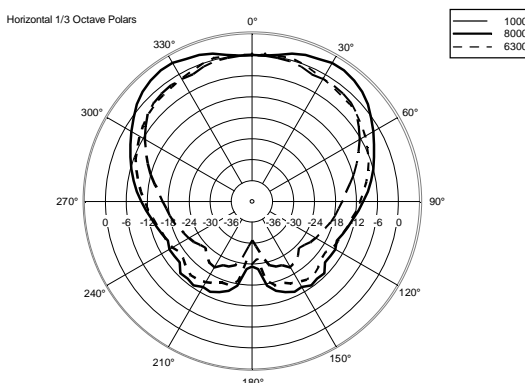
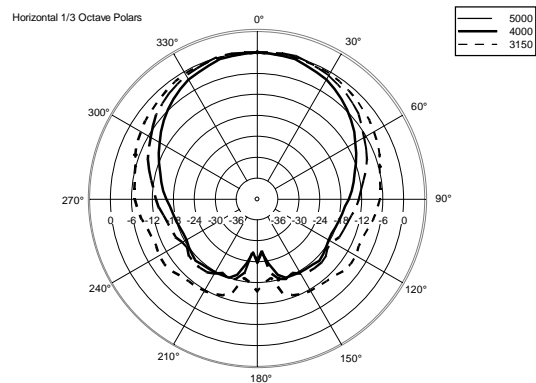
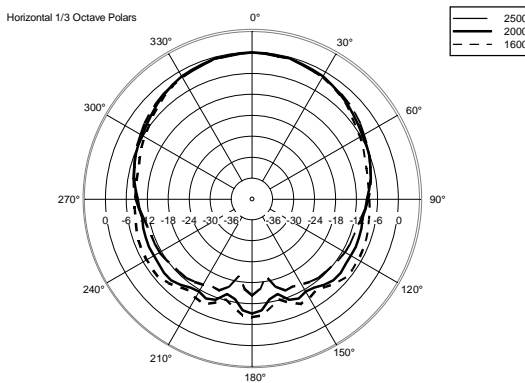
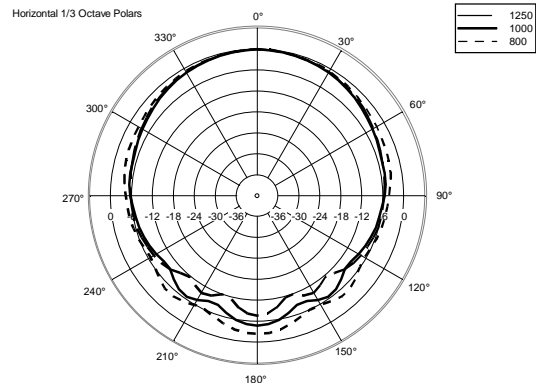
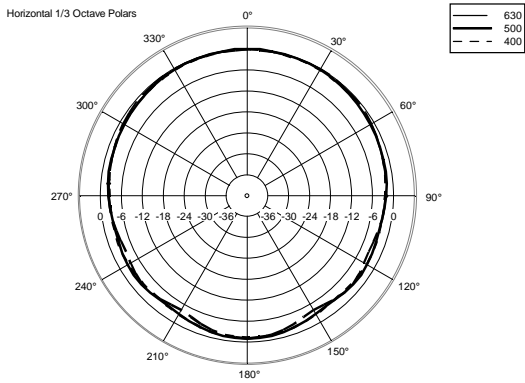
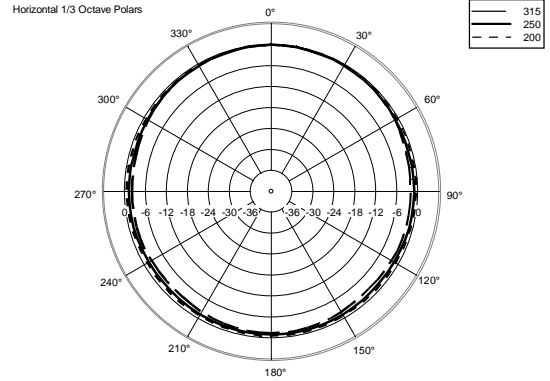
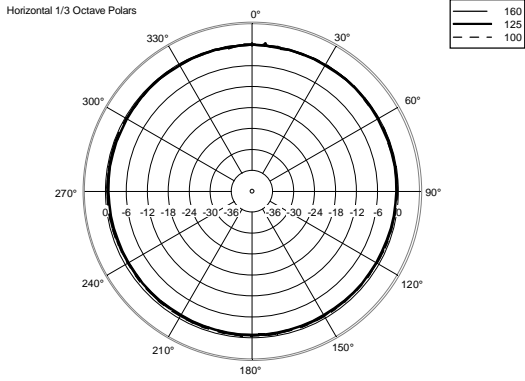
COMPACT M 04
Black - RAL 9005
EAN 8024530018740

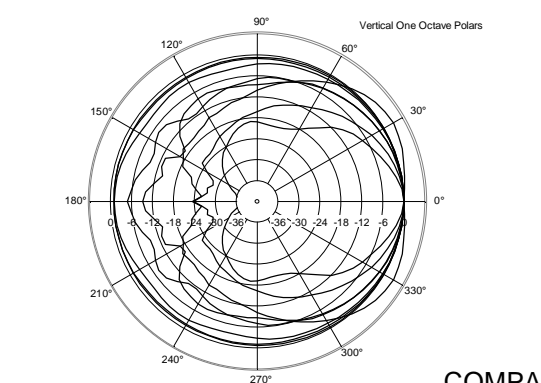
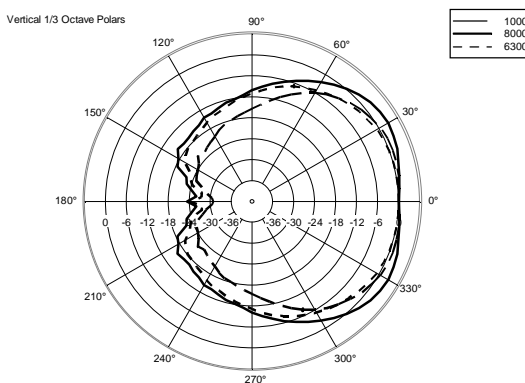
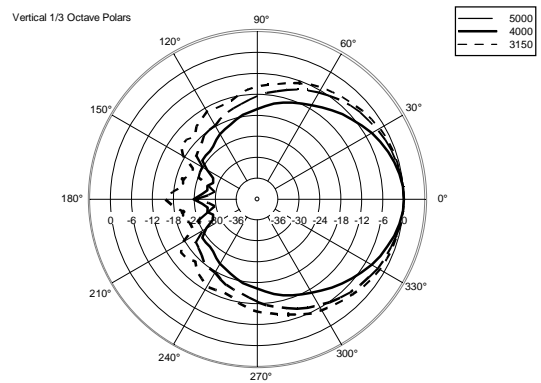
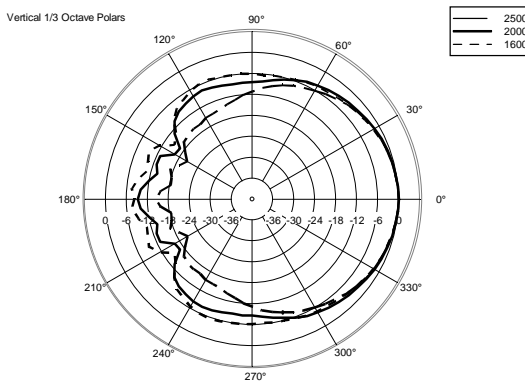
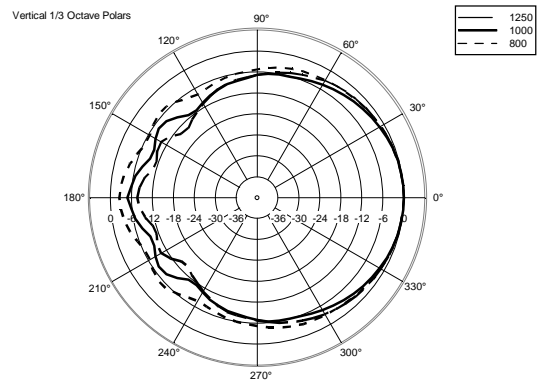
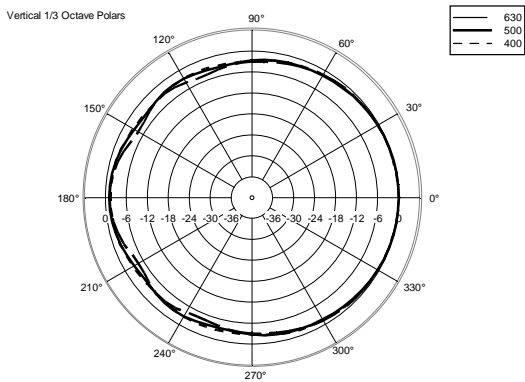
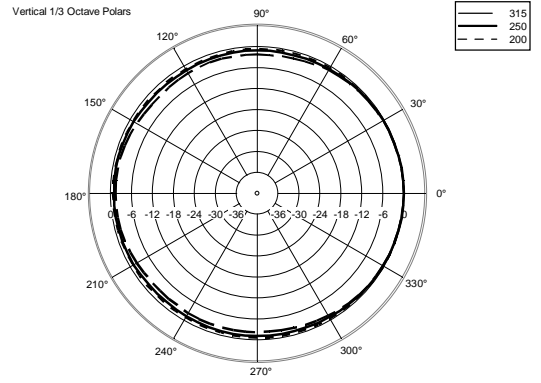
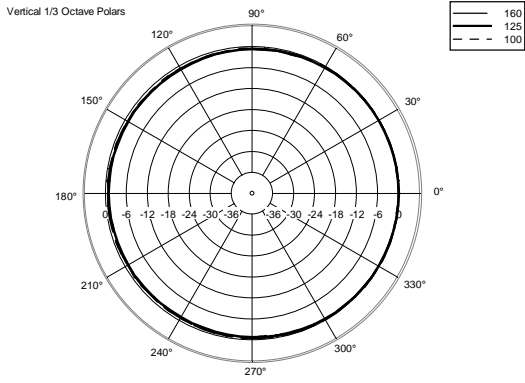


SPEAKER COMPACT M 04

REV.
E









A&E SPECIFICATIONS

The product shall be a multipurpose two-way full-range speaker, suitable for a wide range of applications, providing a balanced sound in near-field applications to get the best intelligibility.

It shall feature high sensitivity, typical of professional audio cabinets and a Hi-Fi sound quality, with smooth and wide frequency response, thanks to a wave-guided dome tweeter.

Its design shall be elegant and compact with accurate finishing, suitable for almost any environment, even with architectural constraints.

Mounting accessory shall be included for wall or ceiling installations.
