

C 5212-96

TWO-WAY PASSIVE SPEAKER

DESCRIPTION

The C5212-96 is a full range extremely narrow dispersion two-way loudspeaker system for medium throw applications.

The high-frequency section is a constant directivity horn loaded to a 1.4" compression driver with a 2.5" diaphragm assembly for smooth, wide dispersion. The 90° x 60° horn design offers higher sensitivity for longer distance applications. The low-frequency transducer is a 12" woofer with a 3" voice coil. The crossover is easily bypassed for bi-amp via a recessed changeover switch.



FEATURES

- 90° x 60° CMD (Coverage Matching Design) constant directivity horn
- 1.4" compression driver with 2.5" diaphragm assembly
- 12" woofer with 3" voice coil
- Dual-function design: built in passive crossover or external bi-amp
- Rotatable Horn System for horizontal cabinet mounting applications
- HF driver AMCDP (Active Mosfet Compression Driver Protection)
- LICC (Low Impedance Compensated Crossover) network

TECHNICAL SPECIFICATIONS

Acoustical specifications	Frequency Response (-10dB):	54 Hz ÷ 20000 Hz
	Max SPL @ 1m:	132 dB
	Horizontal coverage angle:	90°
	Vertical coverage angle:	60°
	Directivity index Q:	13
	System Sensitivity:	99 dB
Power section	Nominal Impedance:	8 ohm
	Power Handling:	500 W
	Peak Power Handling:	2000 W PEAK
	Recommended Amplifier:	1000 W
	Protections:	Dynamic active mosfet
	Crossover Frequencies:	1200 Hz
Transducers	Compression Driver:	1.4", 2.5" v.c
	Woofers:	12", 3.0" v.c
Input/Output section	Input connectors:	Speakon® NL4
	Output connectors:	Speakon® NL4
Standard compliance	CE marking:	Yes
Physical specifications	Cabinet/Case Material:	Baltic birch plywood
	Hardware:	14 x M10, multiplates (top and bottom)
	Grille:	Steel with robust double mesh polyester clothing
	Color:	Black
Size	Weight:	30 kg / 66.14 lbs
Shipping informations	Package Height:	714 mm / 28.11 inches
	Package Width:	514 mm / 20.24 inches
	Package Depth:	464 mm / 18.27 inches
	Package Weight:	33 kg / 72.75 lbs

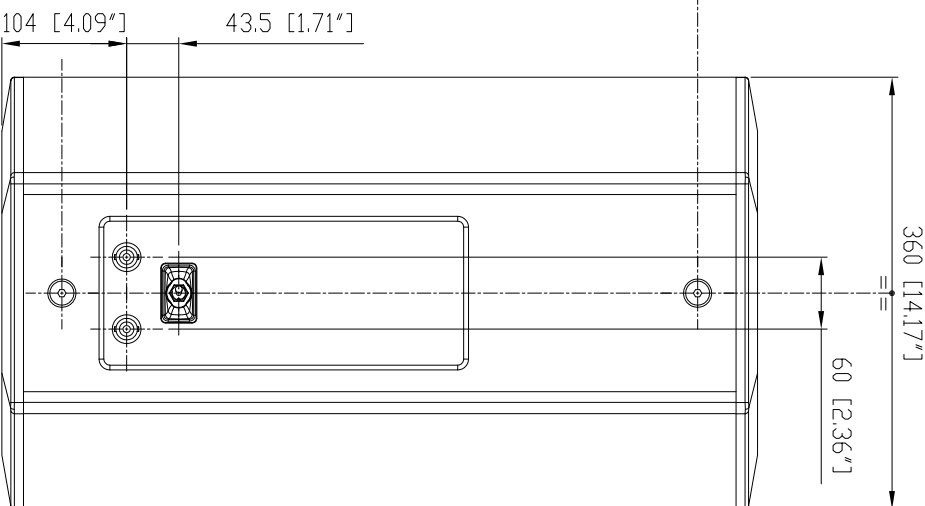
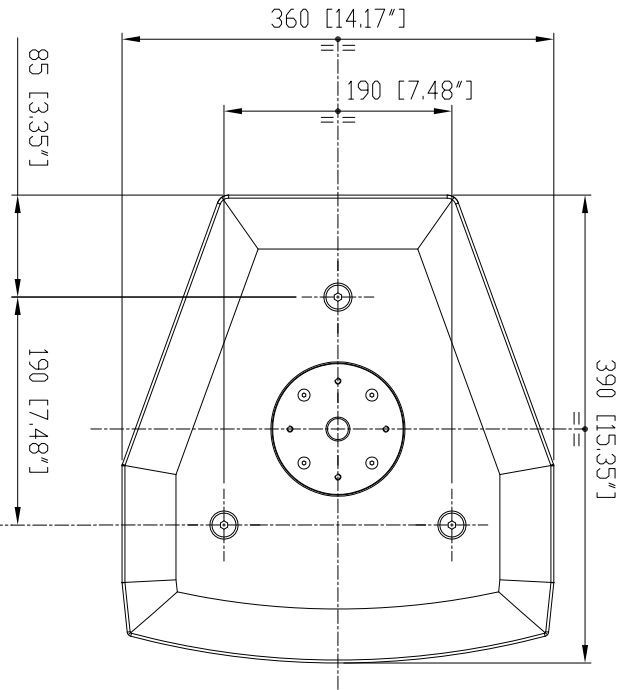
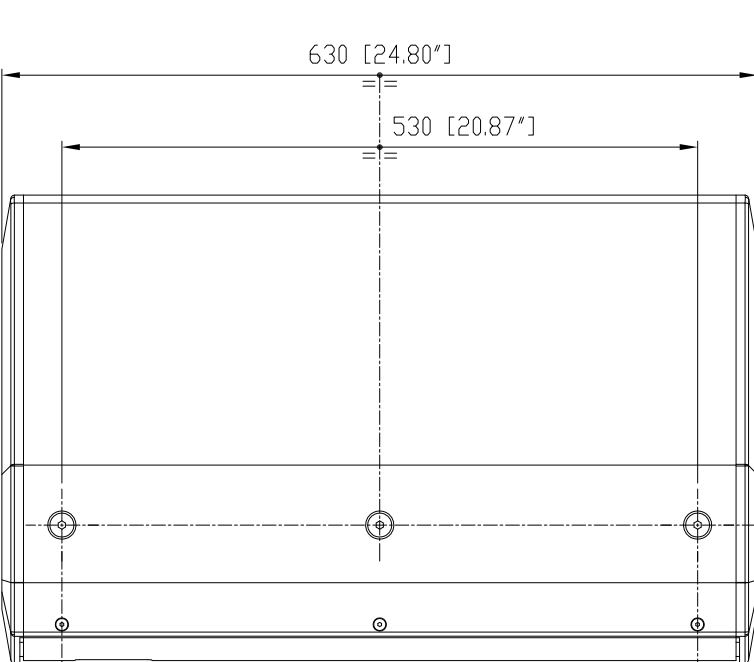
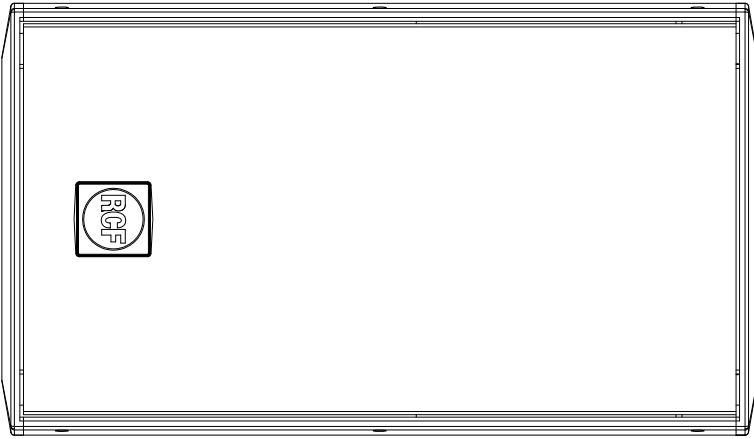
PART NUMBER

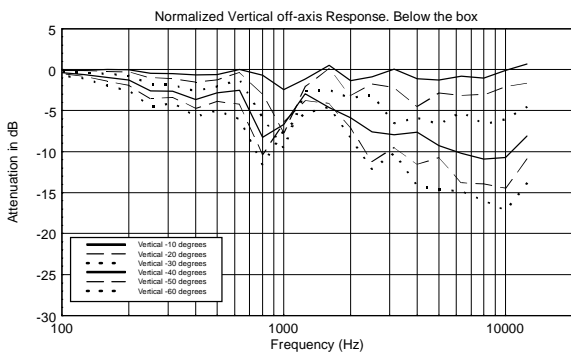
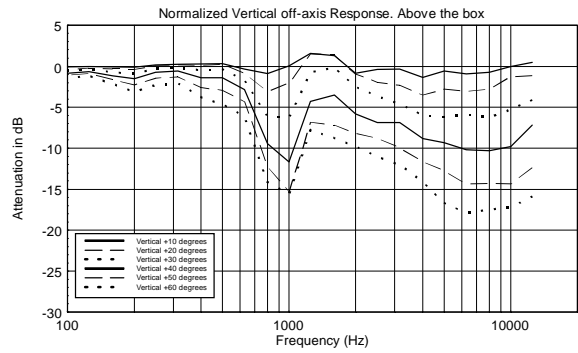
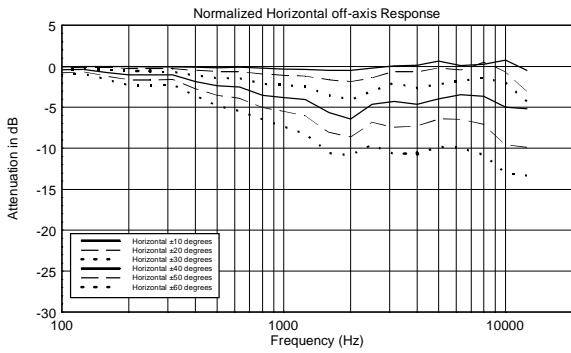
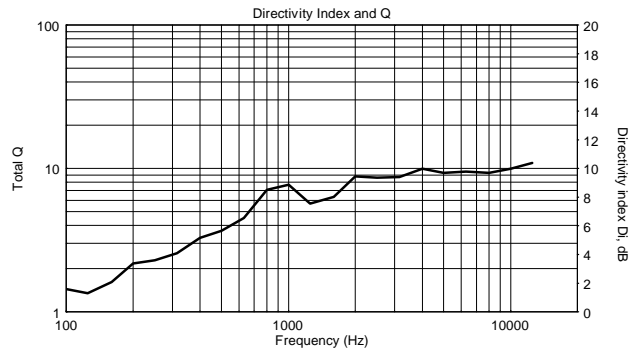
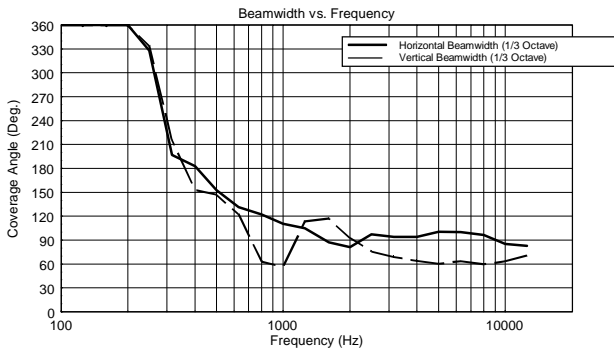
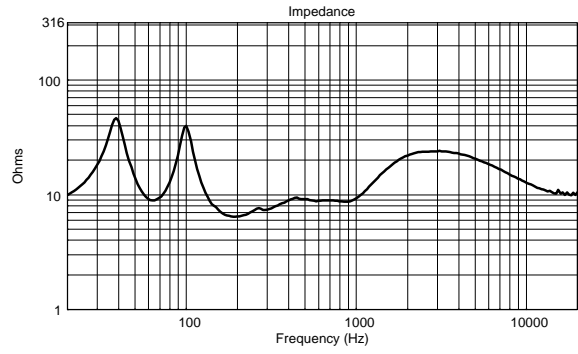
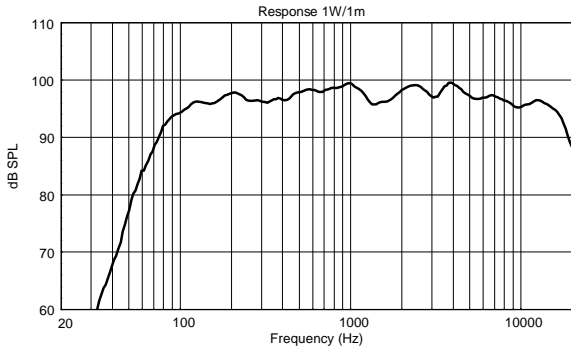
- **13000306**

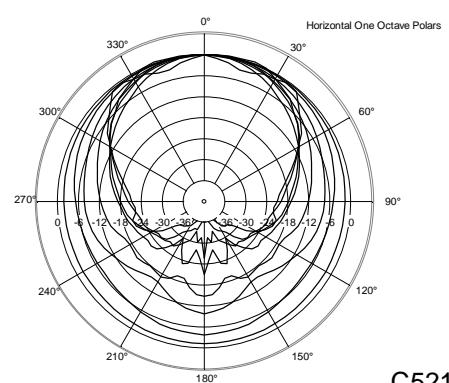
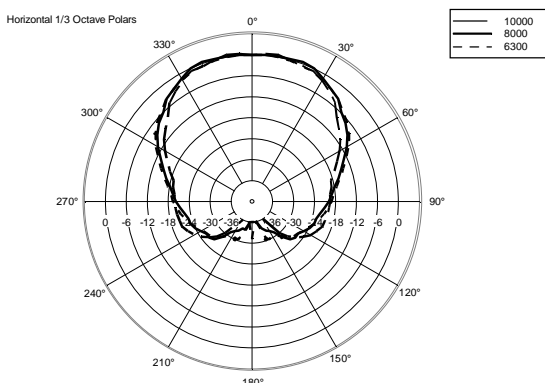
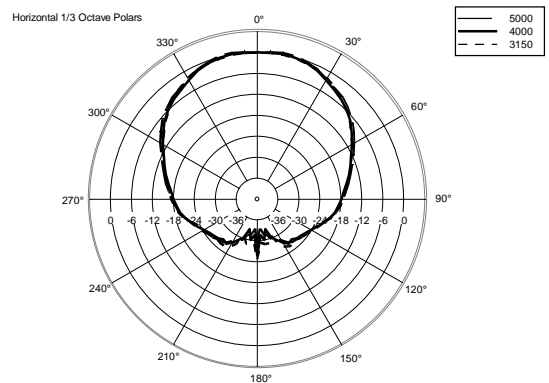
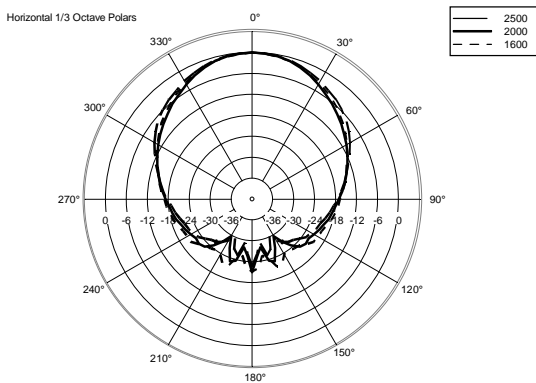
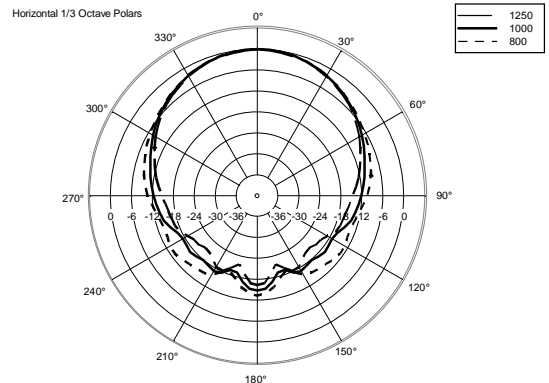
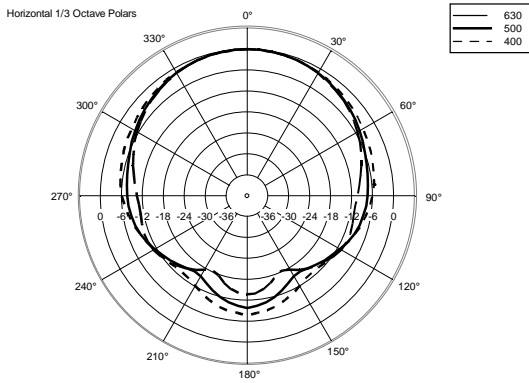
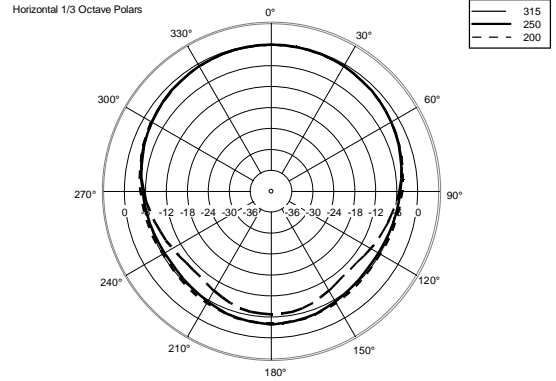
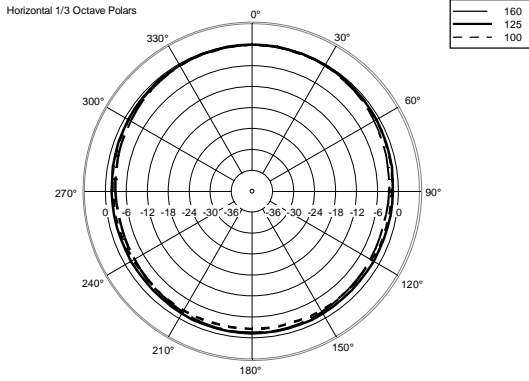
C 5212-96

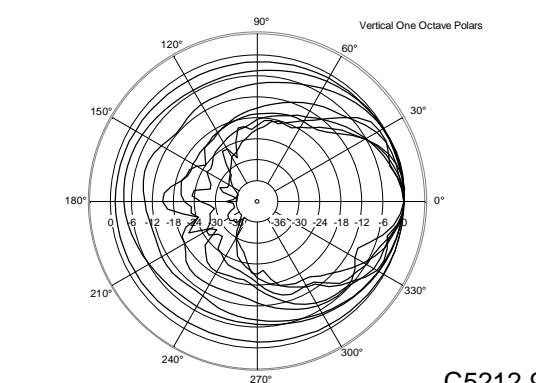
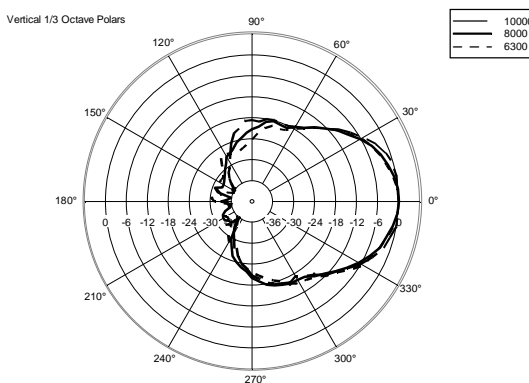
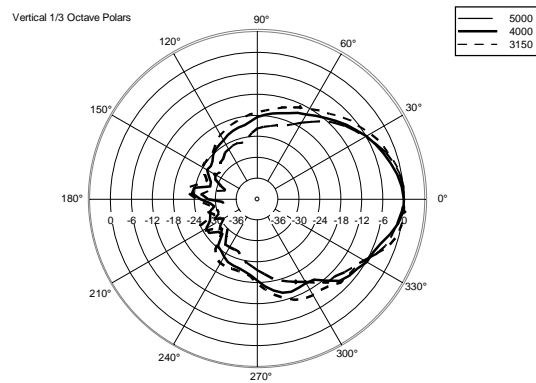
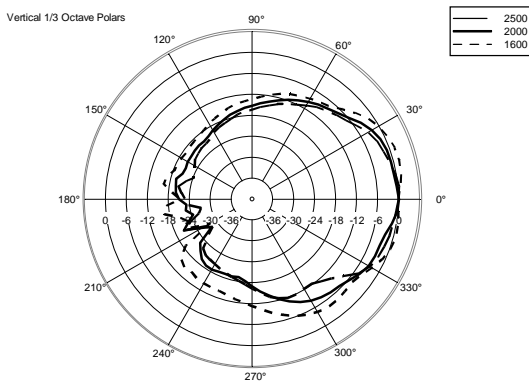
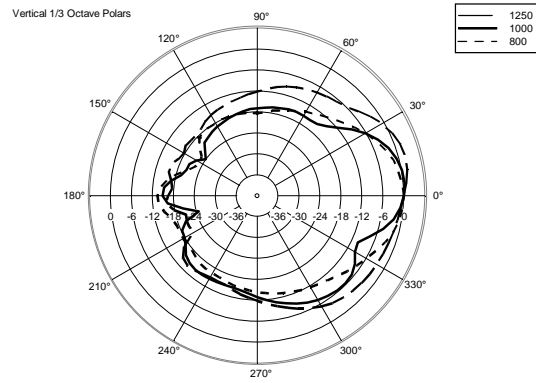
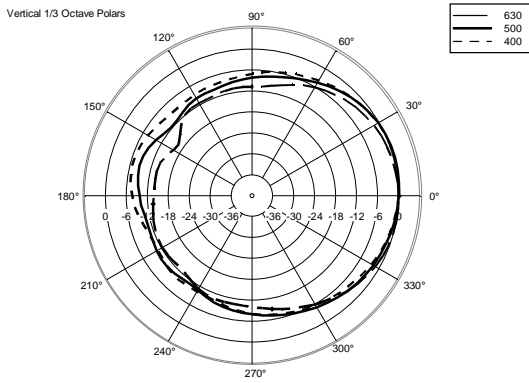
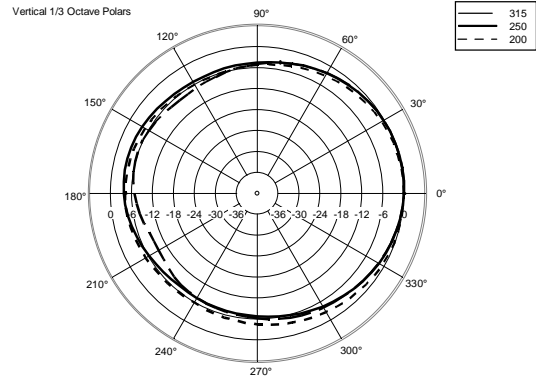
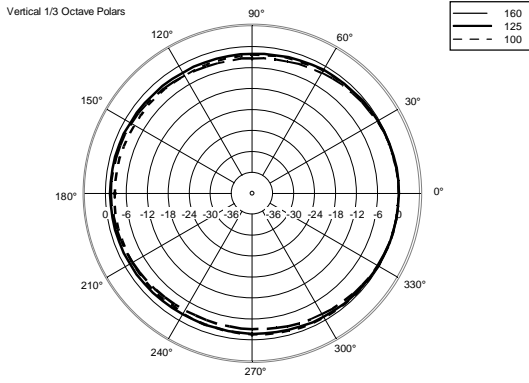
EAN 8024530009243

C5212 NEW









ACCESSORIES

FLYING BRACKET FL-BR NC 12-15

PART NUMBER **13360201**
EAN: 8024530007478



HORIZONTAL BRACKET H-BR 2X NC12

PART NUMBER **13360192**
EAN: 8024530007393



VERTICAL BRACKET V-BR 2X NC12

PART NUMBER **13360197**
EAN: 8024530007447
