

# C 5212-66

## TWO-WAY PASSIVE SPEAKER

### DESCRIPTION

The C5215-66 is a full range extremely versatile controlled narrow dispersion two-way loudspeaker system for medium throw applications.

The high-frequency section is a constant directivity horn loaded to a 1.4" neodymium compression driver with a 2.5" diaphragm assembly for smooth, controlled dispersion.

The 60° x 60° horn design offers higher sensitivity for longer distance applications.

The low-frequency transducer is a 15" woofer with a 3" voice coil. The crossover is easily bypassed for bi-amp via a recessed changeover switch.



### FEATURES

- 60° x 60° CMD (Coverage Matching Design) constant directivity horn
- 1.4" compression driver with 2,5" diaphragm assembly
- 15" woofer with 3" voice coil
- Dual-function design: built in passive crossover or external bi-amp
- Rotatable Horn System for horizontal cabinet mounting applications
- HF driver AMCDP (Active Mosfet Compression Driver Protection)
- LICC (Low Impedance Compensated Crossover) network
- 14 Suspension points (M10)
- 35 mm standard internal pole mount

## TECHNICAL SPECIFICATIONS

<b>Acoustical specifications</b>	Frequency Response (-10dB):	54 Hz ÷ 20000 Hz
	Max SPL @ 1m:	133 dB
	Horizontal coverage angle:	60°
	Vertical coverage angle:	60°
	Directivity index Q:	16
	System Sensitivity:	100 dB
<b>Power section</b>	Nominal Impedance:	8 ohm
	Power Handling:	500 W
	Peak Power Handling:	2000 W PEAK
	Recommended Amplifier:	1000 W
	Protections:	Dynamic active mosfet
	Crossover Frequencies:	1200 Hz
<b>Transducers</b>	Compression Driver:	1.4", 2.5" v.c
	Woofers:	12", 3.0" v.c
<b>Input/Output section</b>	Input connectors:	Speakon® NL4
	Output connectors:	Speakon® NL4
<b>Standard compliance</b>	CE marking:	Yes
<b>Physical specifications</b>	Cabinet/Case Material:	Baltic birch plywood
	Hardware:	14 x M10, multiplates (top and bottom)
	Pole mount/Cap:	Yes
	Grille:	Steel with robust double mesh polyester clothing
	Color:	Black
<b>Size</b>	Height:	630 mm / 24.8 inches
	Width:	360 mm / 14.17 inches
	Depth:	390 mm / 15.35 inches
	Weight:	30 kg / 66.14 lbs
<b>Shipping informations</b>	Package Height:	714 mm / 28.11 inches
	Package Width:	514 mm / 20.24 inches
	Package Depth:	464 mm / 18.27 inches
	Package Weight:	32.8 kg / 72.31 lbs

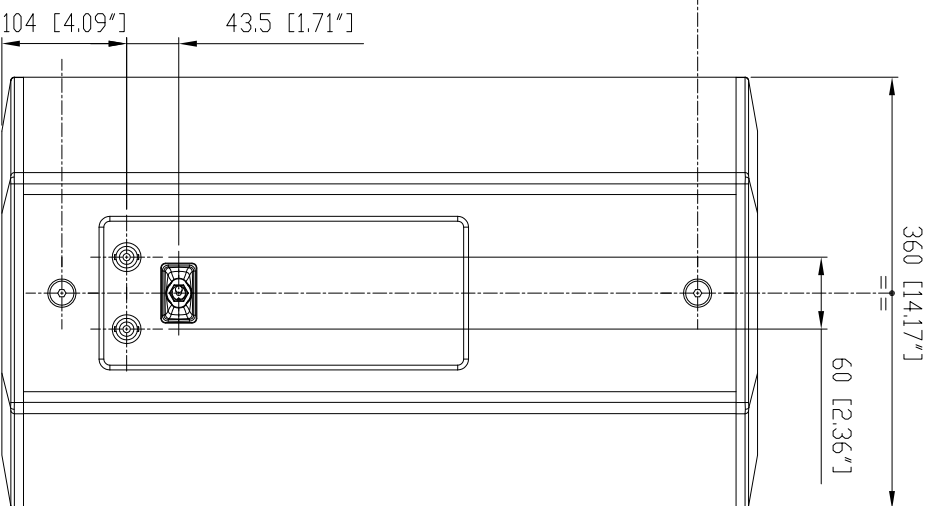
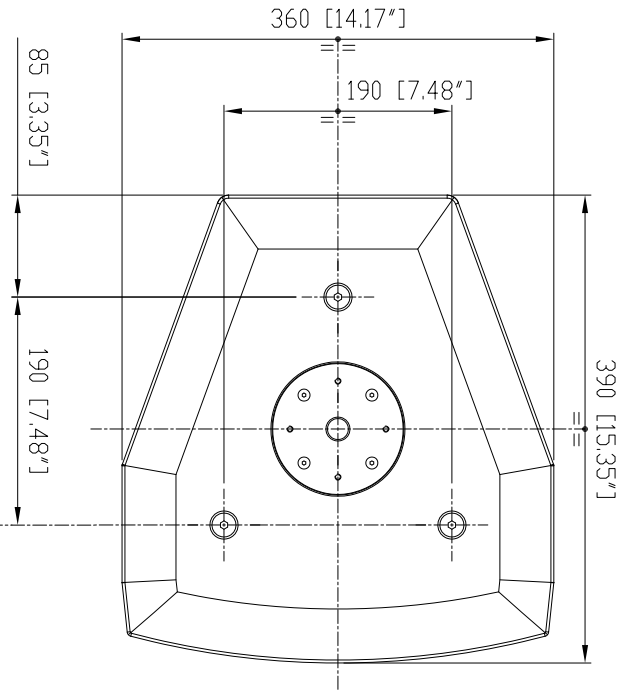
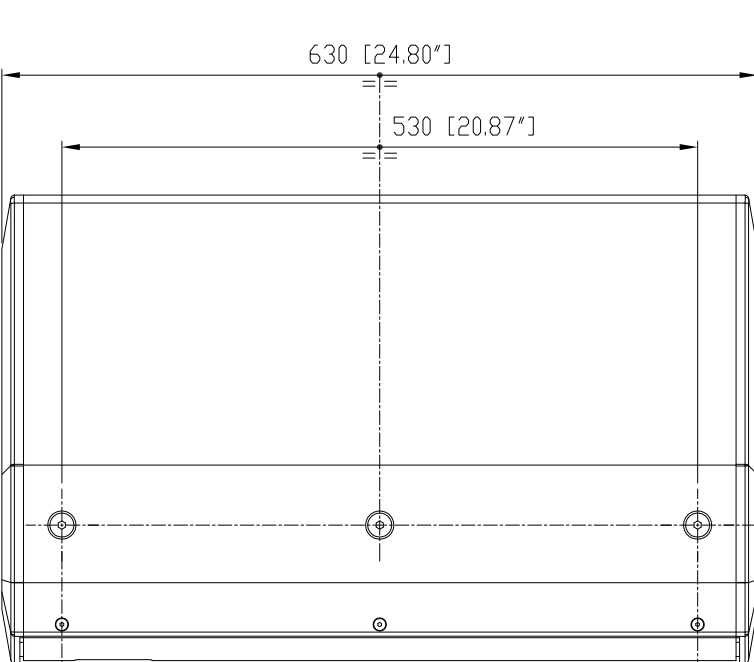
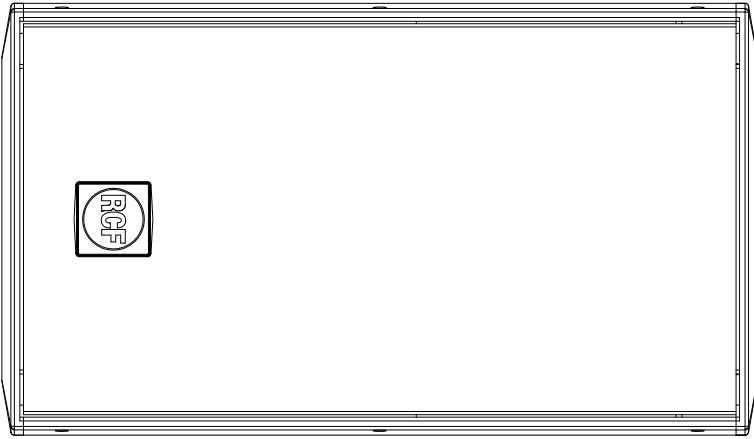
## PART NUMBER

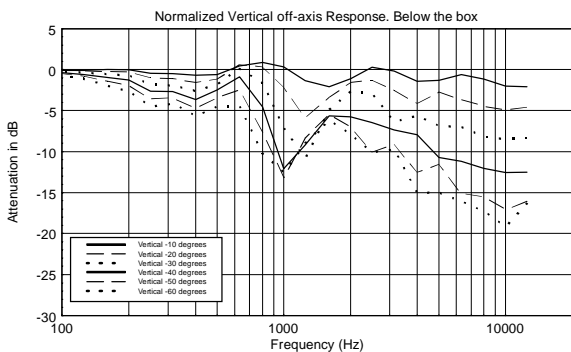
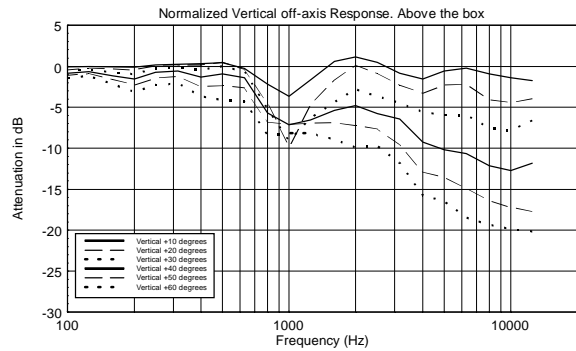
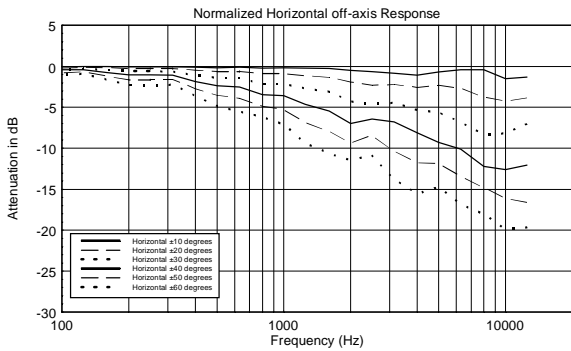
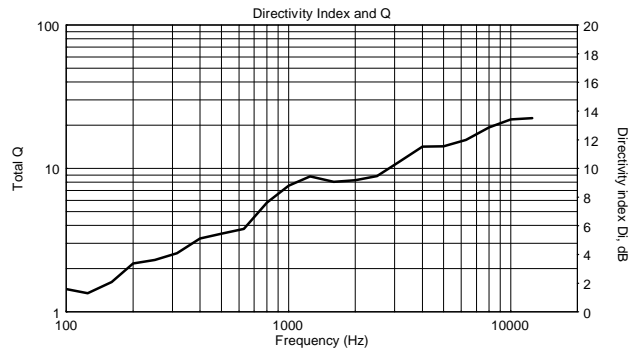
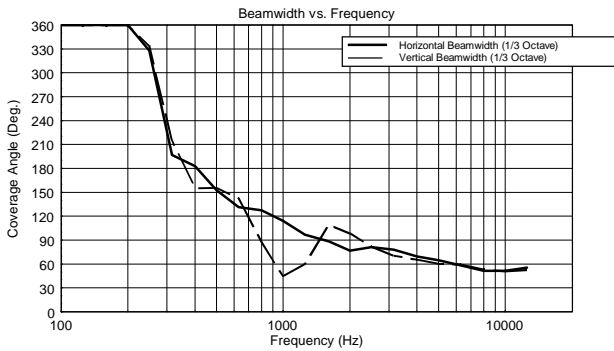
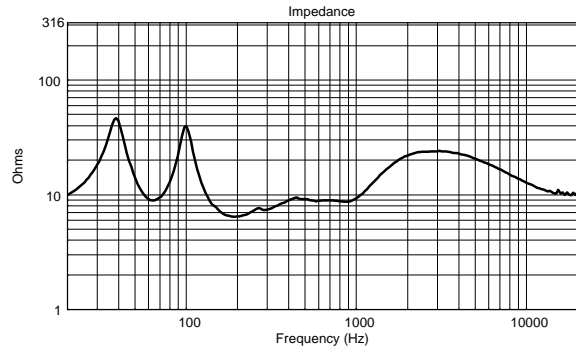
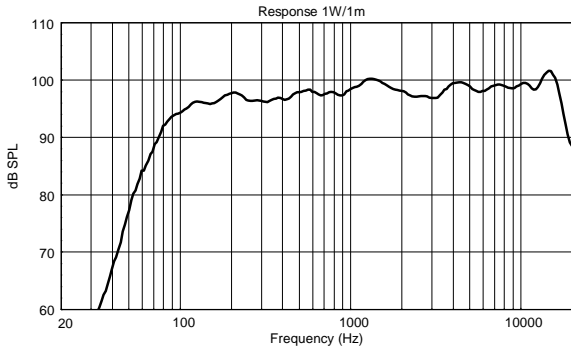
- **13000307**

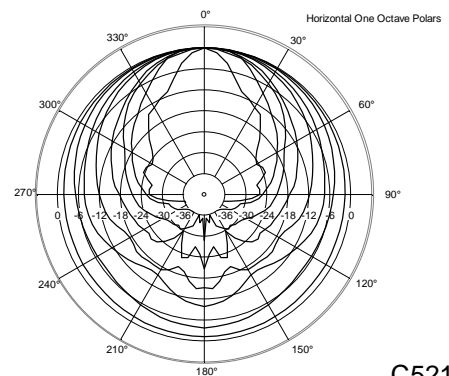
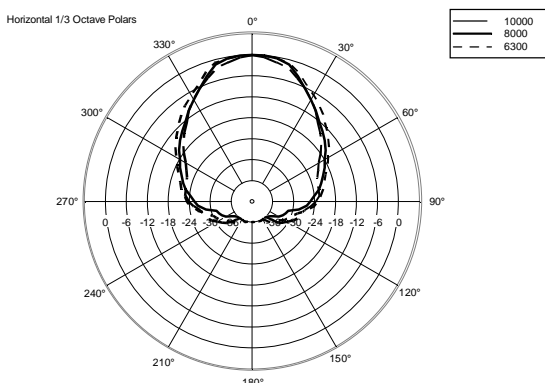
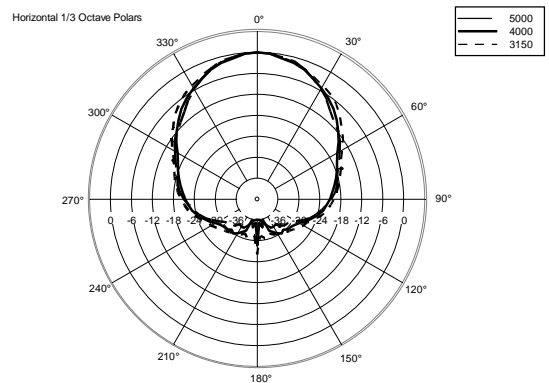
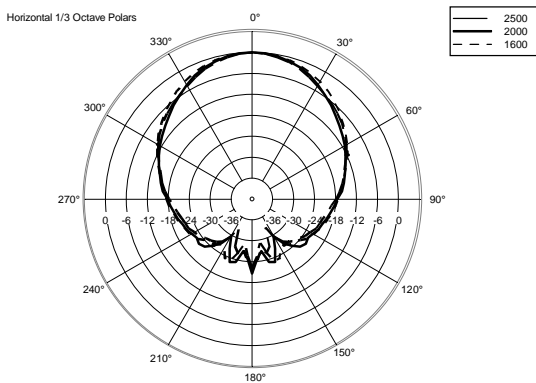
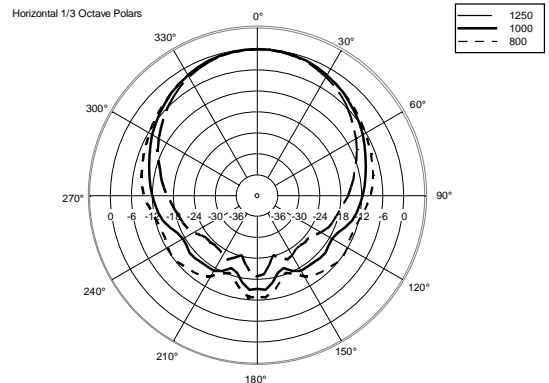
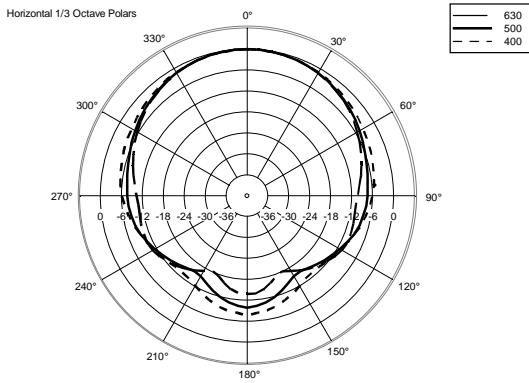
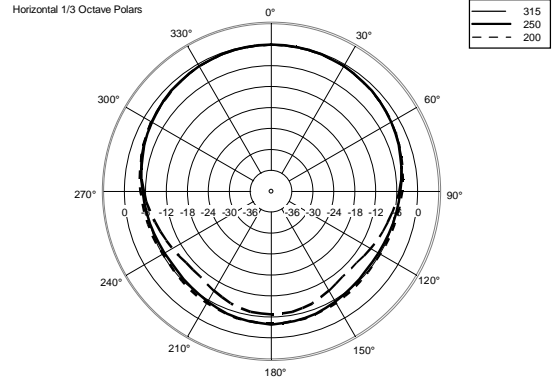
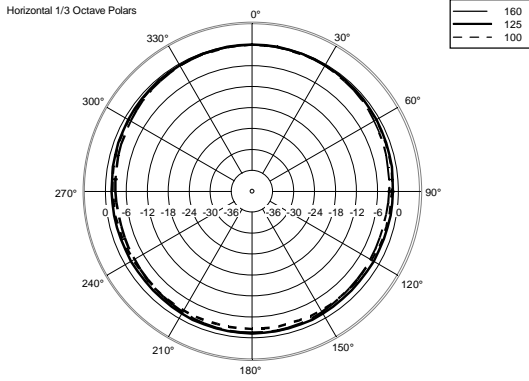
C 5212-66

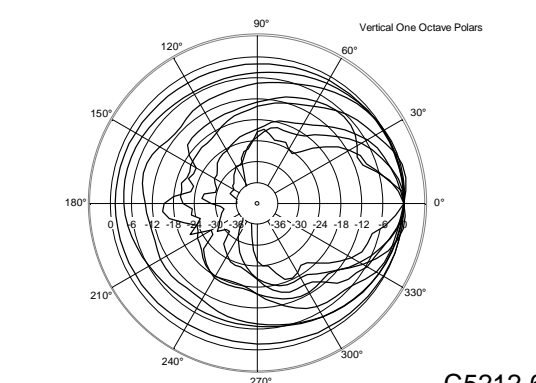
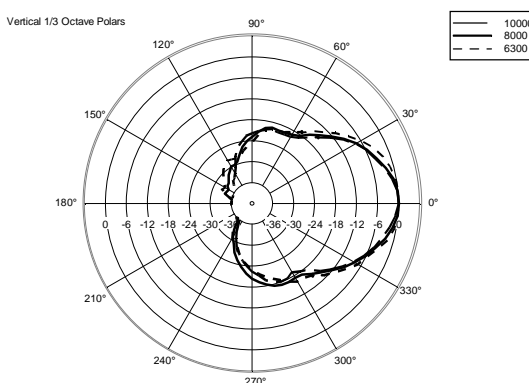
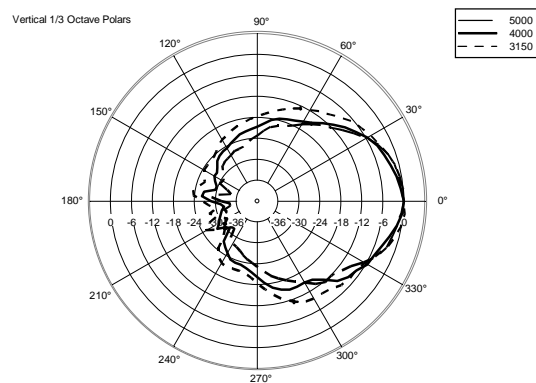
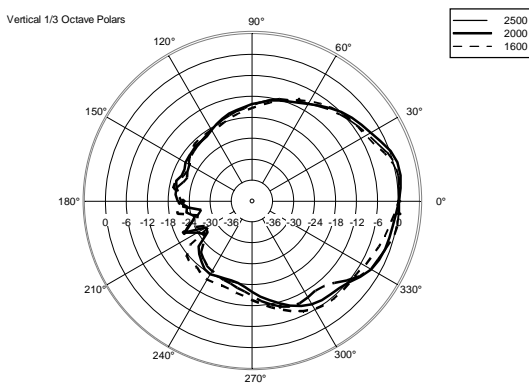
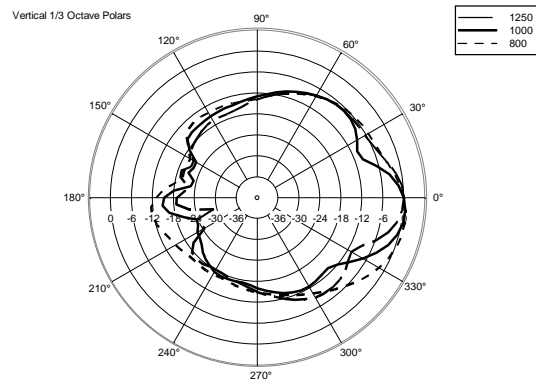
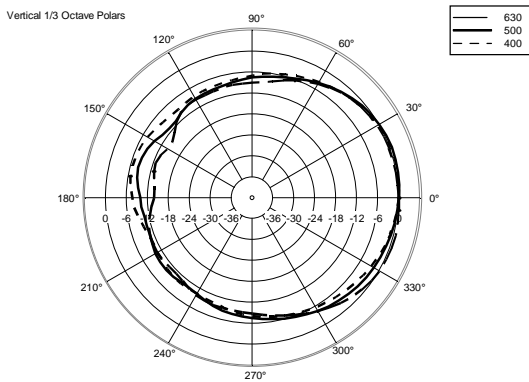
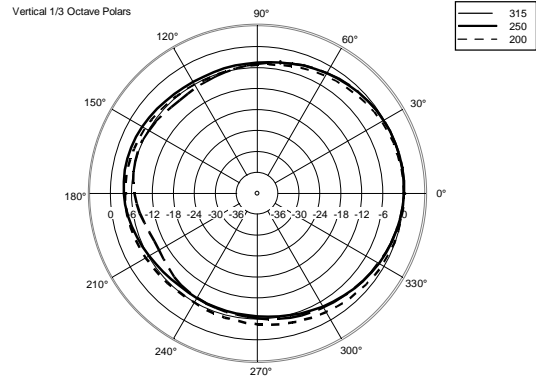
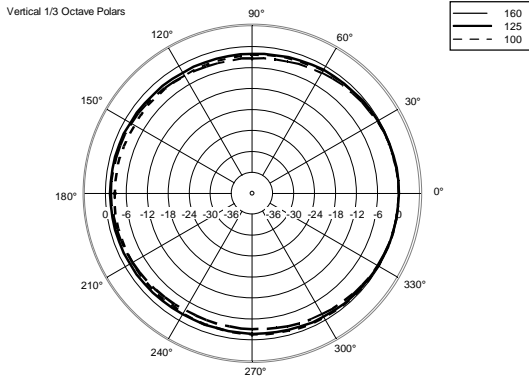
EAN 8024530009250

# C5212 NEW









**ACCESSORIES**

FLYING BRACKET FL-BR NC 12-15

PART NUMBER **13360201**  
EAN: 8024530007478



HORIZONTAL BRACKET H-BR 2X NC12

PART NUMBER **13360192**  
EAN: 8024530007393



VERTICAL BRACKET V-BR 2X NC12

PART NUMBER **13360197**  
EAN: 8024530007447