

C 3110-126

TWO-WAY PASSIVE SPEAKER

DESCRIPTION

The C3110 is a full range extremely versatile wide-dispersion, low profile, two-way loudspeaker system for near field applications.

Its compact size makes it ideal for low visibility side wall mounting. The high-frequency section is a constant directivity horn loaded to a 1" compression driver with a 1.5" diaphragm assembly for smooth, wide dispersion. The low-frequency transducer is a 10" woofer with a 2" voice coil.



FEATURES

- 120° x 60° CMD (Coverage Matching Design) constant directivity horn
- Rotatable Horn System for horizontal cabinet mounting applications
- HF driver AMCDP (Active Mosfet Compression Driver Protection)
- LICC (Low Impedance Compensated Crossover) network
- 10 Suspension points
- 1 top pole mount, 1 bottom pole mount

TECHNICAL SPECIFICATIONS

Acoustical specifications	Frequency Response (-10dB):	67 Hz ÷ 20000 Hz
	Max SPL @ 1m:	128 dB
	Horizontal coverage angle:	120°
	Vertical coverage angle:	60°
	Directivity index Q:	9
	System Sensitivity:	97 dB
Power section	Nominal Impedance:	8 ohm
	Power Handling:	300 W
	Peak Power Handling:	1200 W PEAK
	Recommended Amplifier:	600 W
	Protections:	Dynamic active mosfet
	Crossover Frequencies:	2200 Hz
Transducers	Compression Driver:	1.0", 1.5" v.c
	Woofers:	10", 2.0" v.c
Input/Output section	Input connectors:	Speakon® NL4
	Output connectors:	Speakon® NL4
Standard compliance	CE marking:	Yes
Physical specifications	Cabinet/Case Material:	Baltic birch plywood
	Hardware:	8 x M8 (rear), 2 x M10 (lateral), multiplates (top and bottom)
	Pole mount/Cap:	Yes
	Grille:	Steel with robust double mesh polyester clothing
	Color:	Black
Size	Height:	500 mm / 19.69 inches
	Width:	300 mm / 11.81 inches
	Depth:	298 mm / 11.73 inches
	Weight:	15.8 kg / 34.83 lbs
Shipping informations	Package Height:	564 mm / 22.2 inches
	Package Width:	399 mm / 15.71 inches
	Package Depth:	384 mm / 15.12 inches
	Package Weight:	17.7 kg / 39.02 lbs

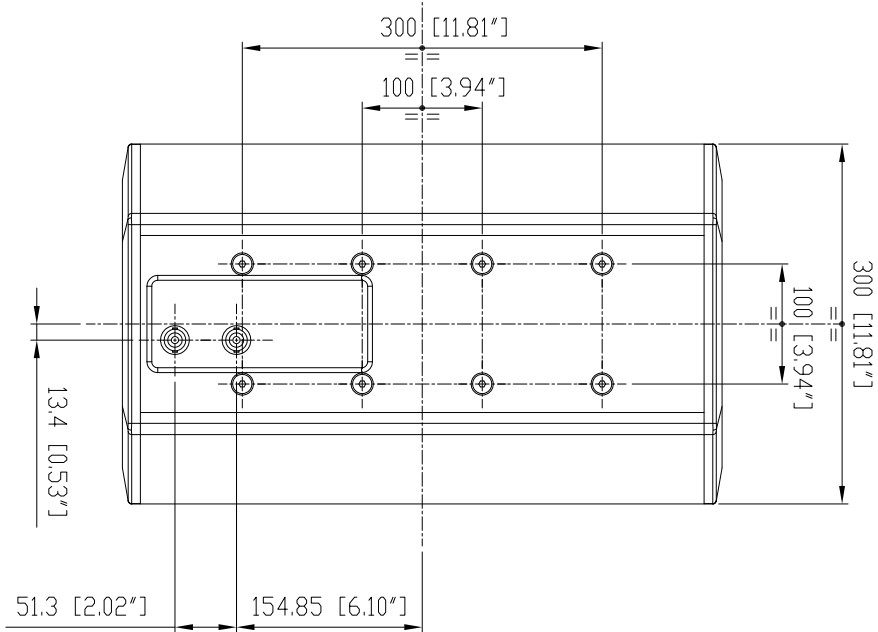
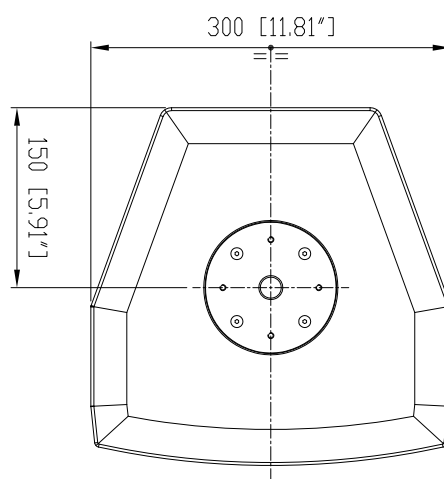
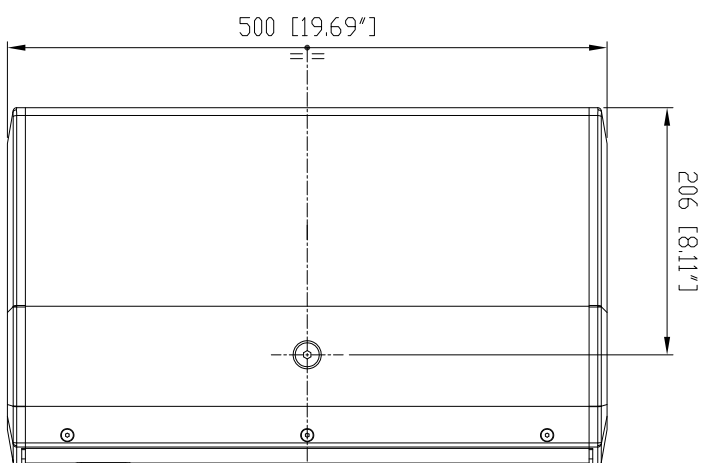
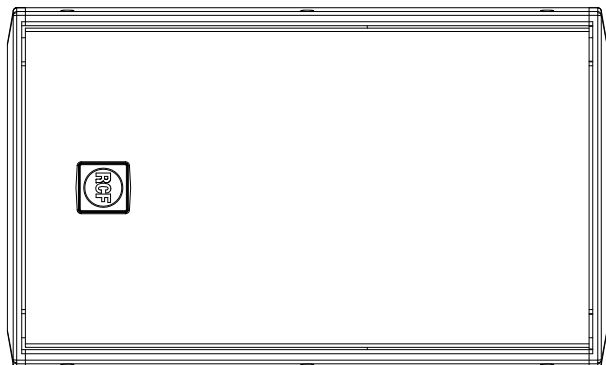
PART NUMBER

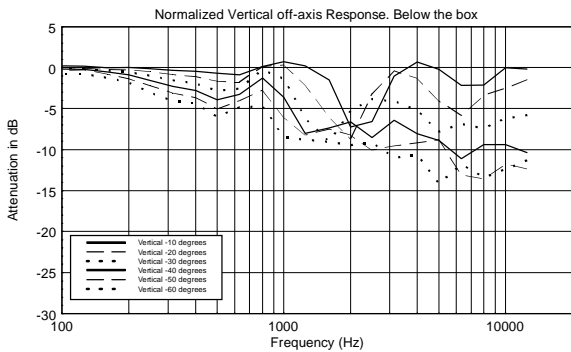
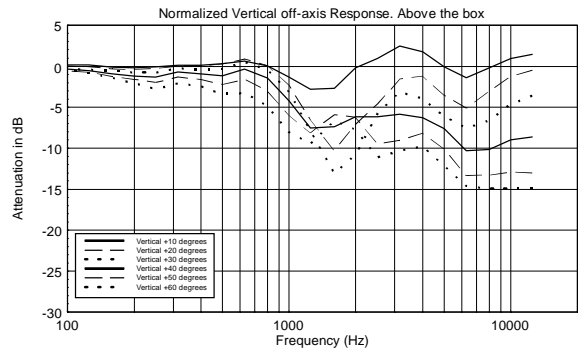
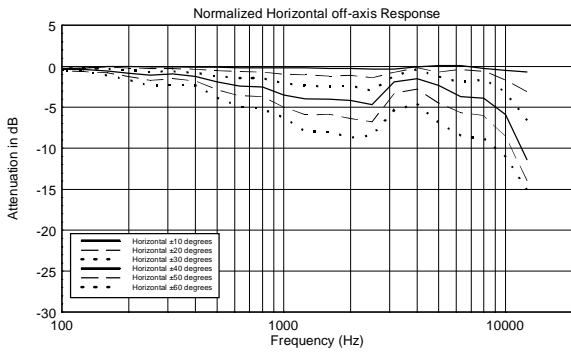
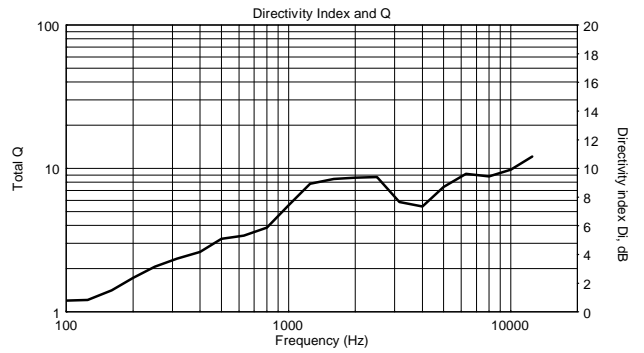
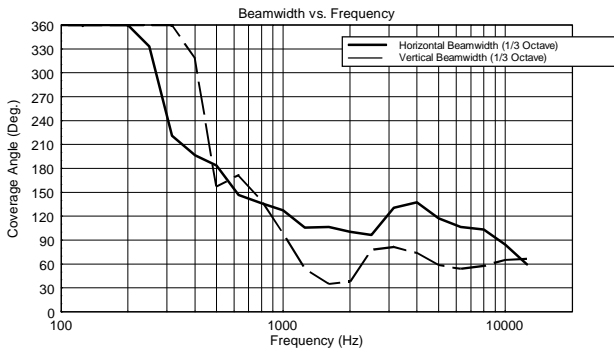
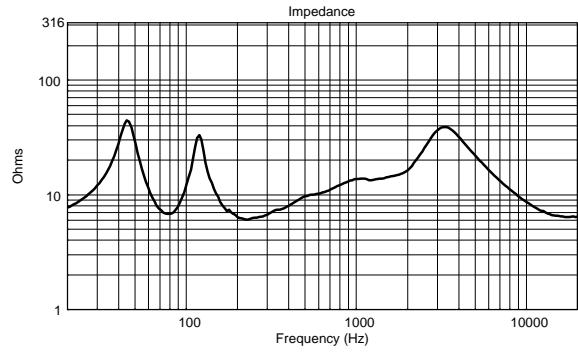
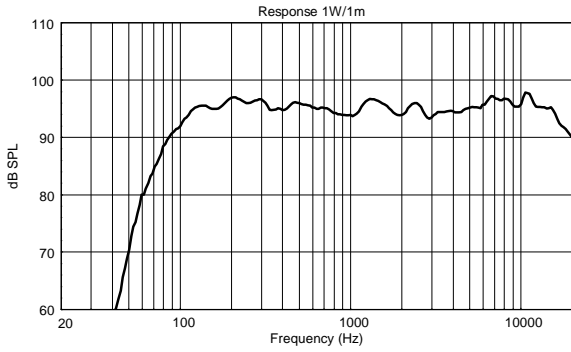
- **13000284**

C 3110-126

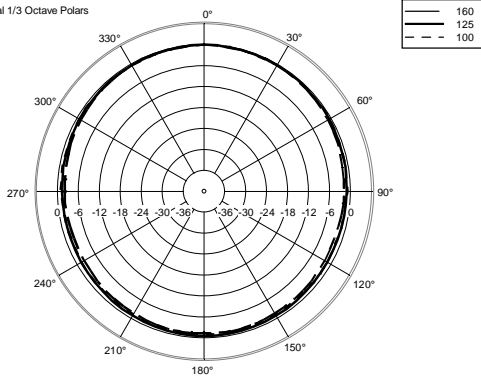
EAN 8024530009175

C3110 NEW

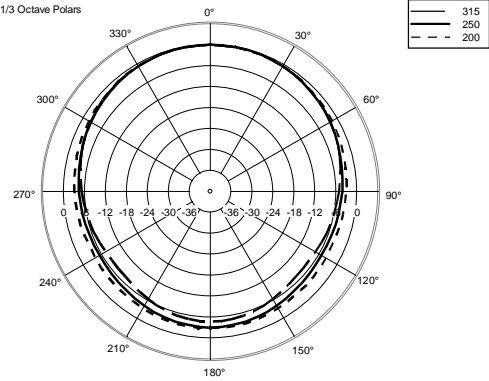




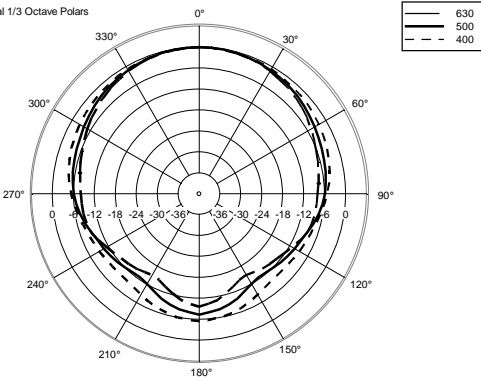
Horizontal 1/3 Octave Polars



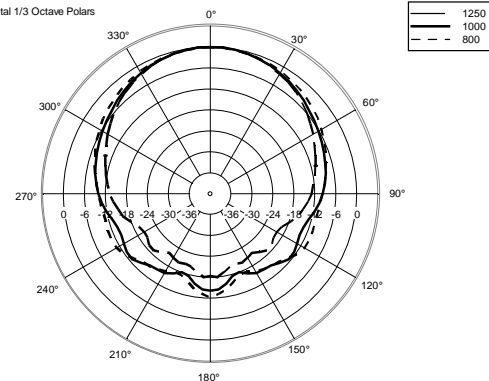
Horizontal 1/3 Octave Polars



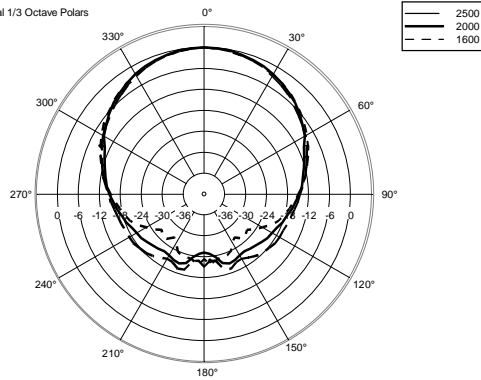
Horizontal 1/3 Octave Polars



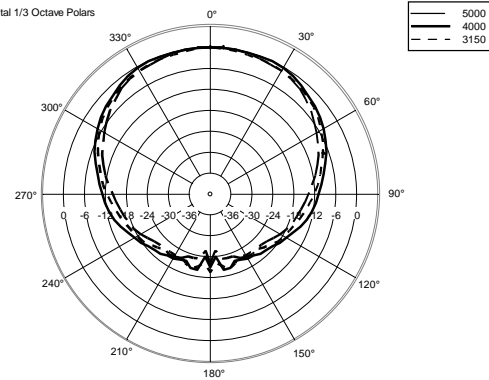
Horizontal 1/3 Octave Polars



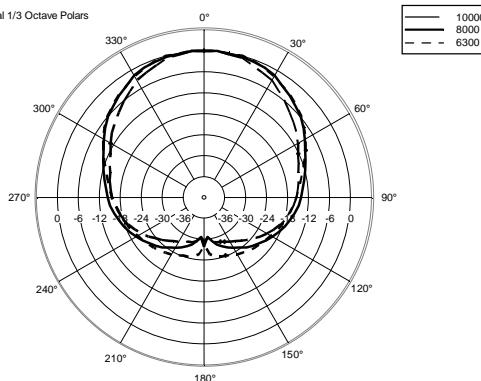
Horizontal 1/3 Octave Polars



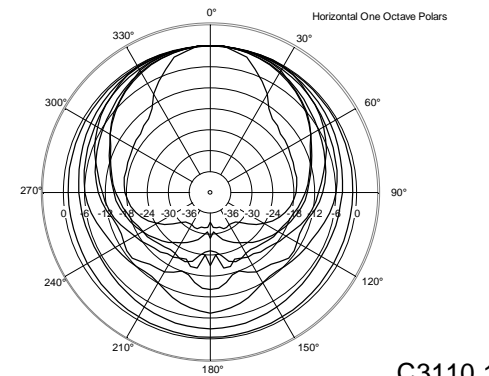
Horizontal 1/3 Octave Polars

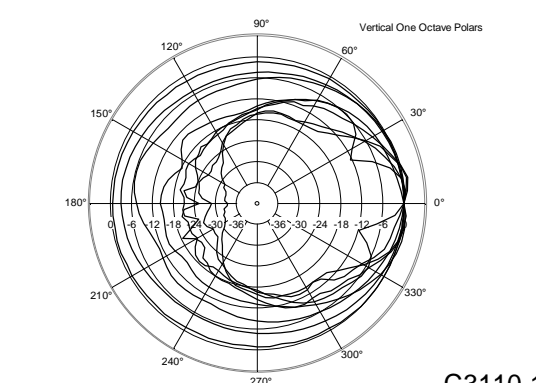
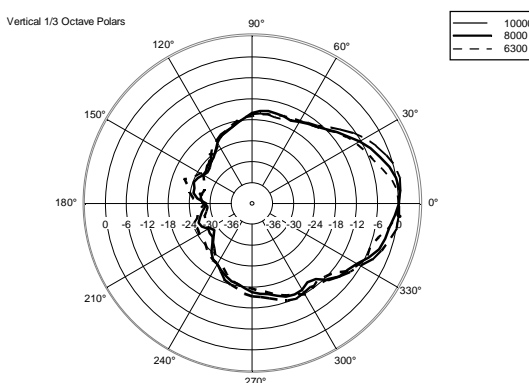
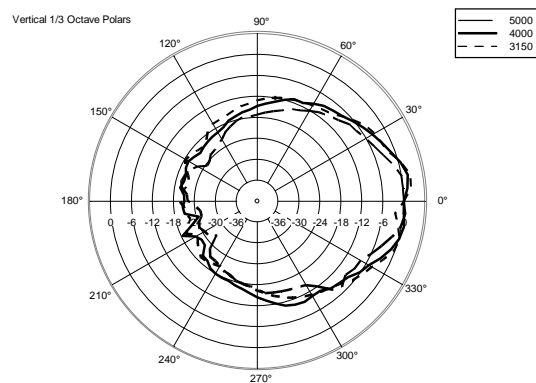
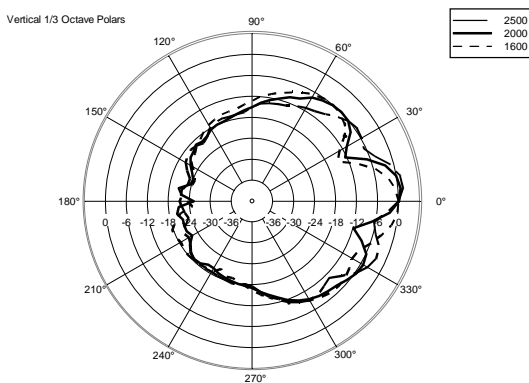
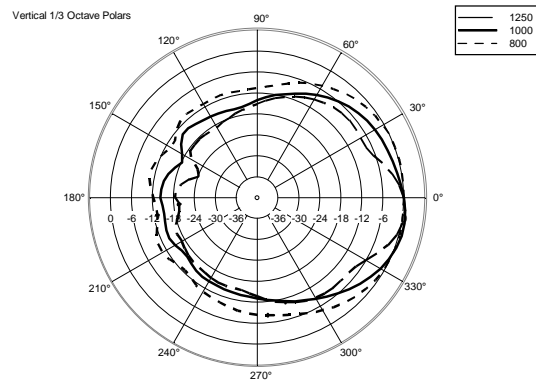
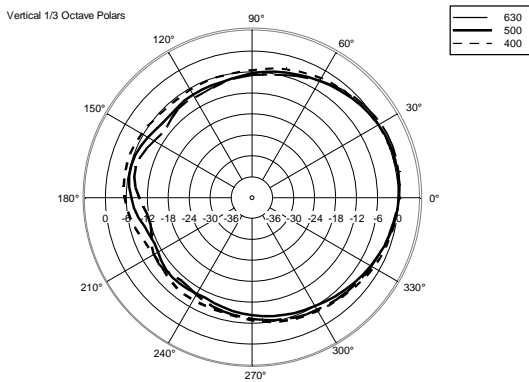
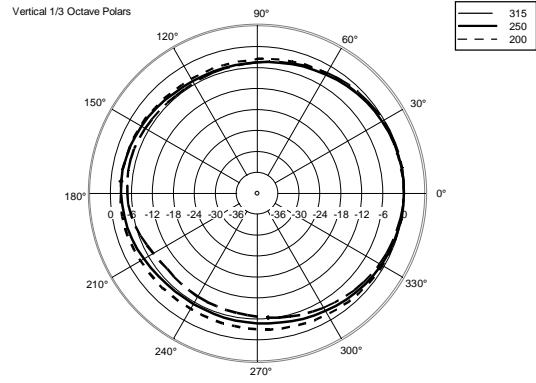
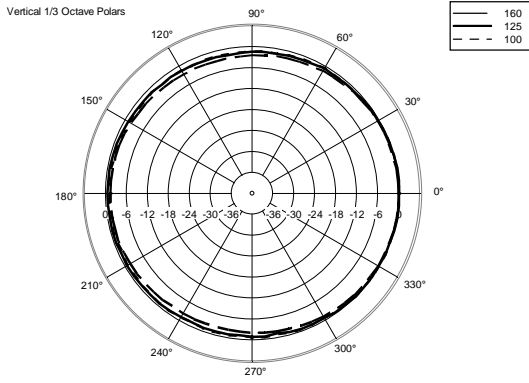


Horizontal 1/3 Octave Polars



Horizontal One Octave Polars





ACCESSORIES

AC NC PIPE CLAMP

PART NUMBER **13360217**
EAN: 8024530018511



FLYING BRACKET FL-BR NC 06-08-10

PART NUMBER **13360200**
EAN: 8024530007461



HORIZONTAL BRACKET H-BR 2X NC10

PART NUMBER **13360191**
EAN: 8024530007386



VERTICAL BRACKET V-BR 2X NC10

PART NUMBER **13360196**
EAN: 8024530007430



WALL MOUNT BRACKET SWM-BR NC

PART NUMBER **13360199**
EAN: 8024530007355