

# BM 2006

## PAGING MICROPHONE 6 ZONES

### DESCRIPTION

BM 2006 is a 6 zones paging microphones designed for the ZM 2000 system. Up to six BM 2006 can be daisy-chained to a master unit ZM 2124 or ZM 2100. It is possible to link up to four BE 2012 extensions to each console, in order to reach the maximum system capability of 54 zones.



### FEATURES

- Selective and general call buttons
- PTT and Lock buttons
- Electret microphone on flexible gooseneck
- RJ 45 ports input/output (CAT 5 cable)
- Priority mode setting

## TECHNICAL SPECIFICATIONS

<b>Microphone specifications</b>	Type:	Electret
	Frequency Response (-3dB):	100 Hz ÷ 15 kHz
	Nominal output voltage @3.3 kohm (mV RMS):	1.00 mV RMS
<b>Console specifications</b>	Console Type:	Paging
	Working with	ZM 2000
	General call:	Yes
	Selective call:	Yes
	Number of zones:	6
	LED indicators:	Yes
<b>Power requirement</b>	Operating voltage:	24.00V - Hz
<b>Connections</b>	Connectors:	RJ45
	Cable:	FTP CAT 5
	Max number in daisy-chain:	6
	Interlock:	Yes
<b>Functionalities</b>	Priority:	Yes
	Chime tone generator:	Yes
<b>Accessories</b>	Cable included:	Yes
	Cable length (m):	1
<b>Standard compliance</b>	CE marking:	Yes
<b>Physical specifications</b>	Cabinet/Case Material:	Plastic
<b>Size</b>	Height:	55 mm / 2.17 inches
	Width:	108 mm / 4.25 inches
	Depth:	240 mm / 9.45 inches
	Weight:	0.65 kg / 1.43 lbs
<b>Shipping informations</b>	Package Height:	160 mm / 6.3 inches
	Package Width:	400 mm / 15.75 inches
	Package Depth:	160 mm / 6.3 inches
	Package Weight:	1.2 kg / 2.65 lbs

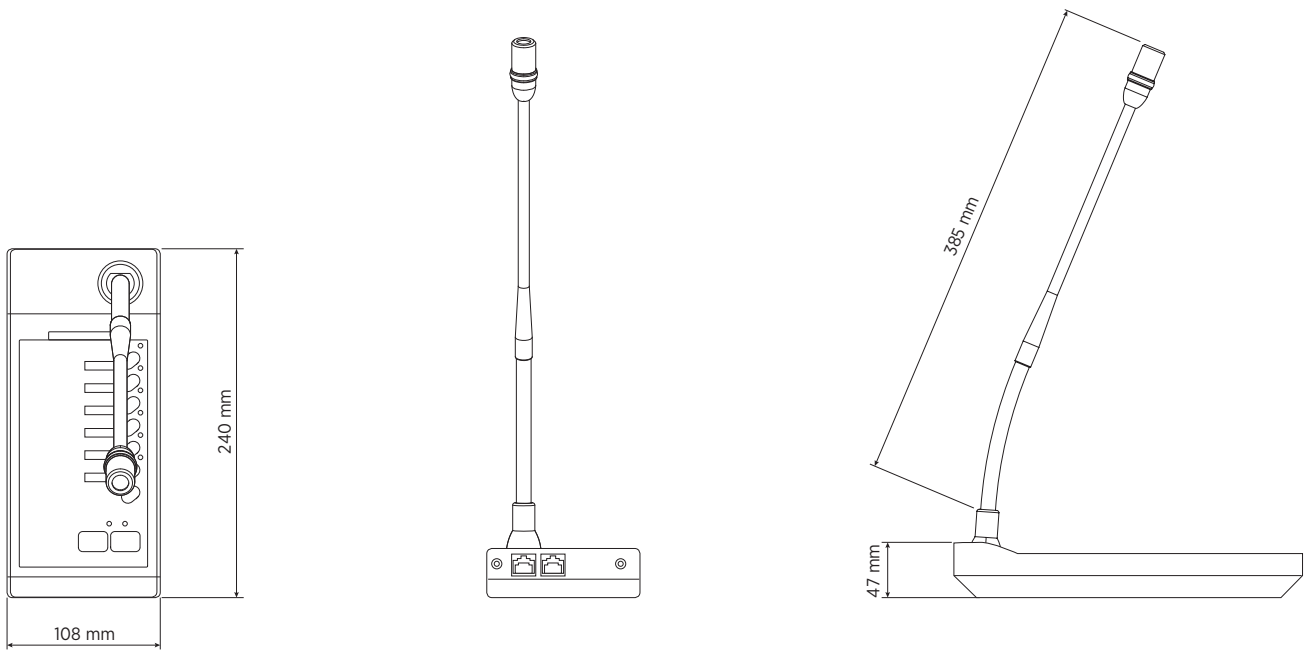
## PART NUMBER

- **14322021**

BM 2006

EAN 8024530010263

**DRAWINGS**



**PANELS**

Front panel

