

BD 2412EN

BIDIRECTIONAL ALUMINIUM SOUND PROJECTOR

DESCRIPTION

BD 2412EN is a bidirectional sound projector featuring an elegant aesthetic and easy installation, suitable for the sonorization of commercial and industrial environments where a good sound quality and high intelligibility and efficiency are required. It features a aluminium cylindrical body, grille and bracket. Ground screw available (if needed). Thanks to its IP66 protection grade, it can be installed both indoor and outdoor.



FEATURES

- 2 x 5" fullrange transducers.
- Power selectable (100 V): 20 W – 10 W – 5 W.
- 88 dB sensitivity.
- Colour grey RAL 7035.
- Aluminium body, grille and bracket.
- In/out ceramic terminal block.
- Thermal fuse protection.
- Protection grade IP66.

TECHNICAL SPECIFICATIONS

Acoustical specifications	Frequency Response (-10dB):	130 Hz ÷ 20000 Hz
	Max SPL @ 1m:	101 dB
	Max SPL @ 4m:	89 dB
	Coverage angle:	130°
	System Sensitivity:	88 dB
	System Sensitivity 1W @ 4m:	76 dB
Power section	Power Handling:	20 W
	Peak Power Handling:	80 W PEAK
	Recommended Amplifier:	40 W
	Protections:	Thermal fuse
Transducers	Fullrange:	2 x 5.0"
Input/Output section	Input connectors:	Ceramic screw terminals
	Output connectors:	Ceramic screw terminals
	Constant Voltage Transformer:	100 V
	Power selection 1:	20 W - 500 ohm
	Power selection 2:	10 W - 1000 ohm
	Power selection 3:	5 W - 2000 ohm
Standard compliance	IP protection grade:	IP 66
	EN54-24 certified:	Yes
	CE marking:	Yes
	CPR number:	1488-CPR-0641/W
Physical specifications	Cabinet/Case Material:	Aluminium
	Hardware:	Aluminium bracket
	Grille:	Aluminium
	Color:	Grey - RAL 7035
Size	Depth:	184 mm / 7.24 inches
	Diameter:	146 mm / 5.75 inches
	Weight:	3.25 kg / 7.17 lbs
Shipping informations	Package Height:	185 mm / 7.28 inches
	Package Width:	240 mm / 9.45 inches
	Package Depth:	185 mm / 7.28 inches
	Package Weight:	3.25 kg / 7.17 lbs



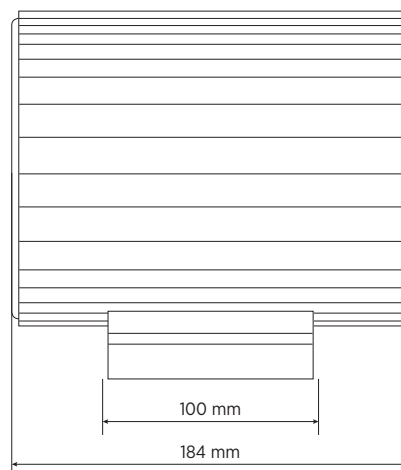
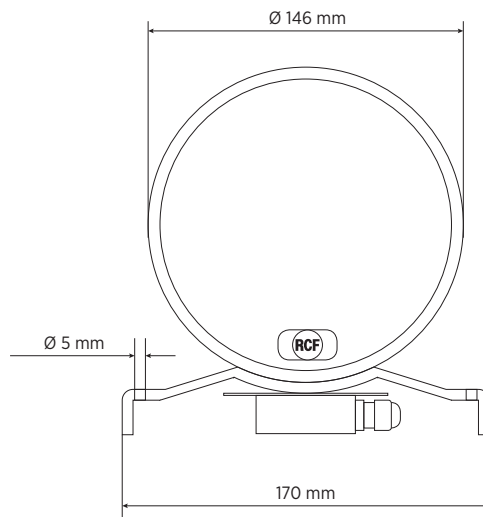
PART NUMBER

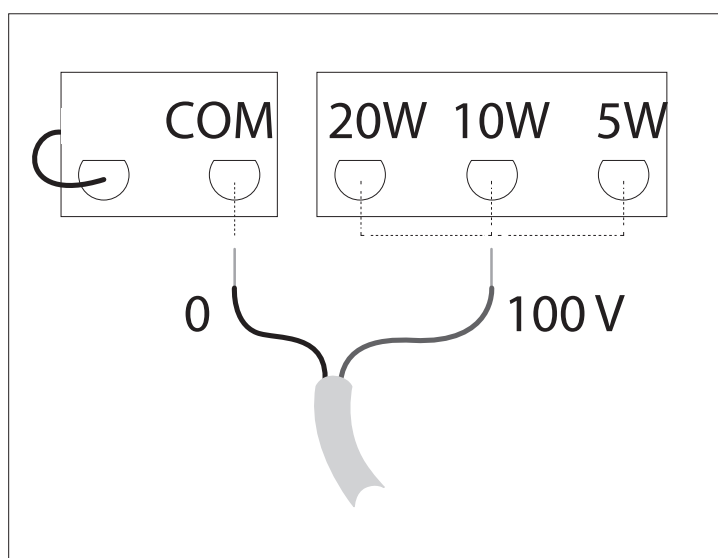
- **13133074**

BD 2412EN

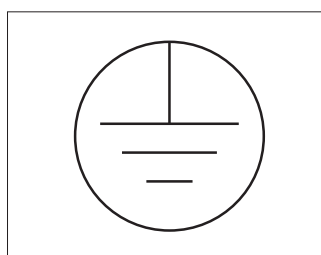
EAN 8024530010294

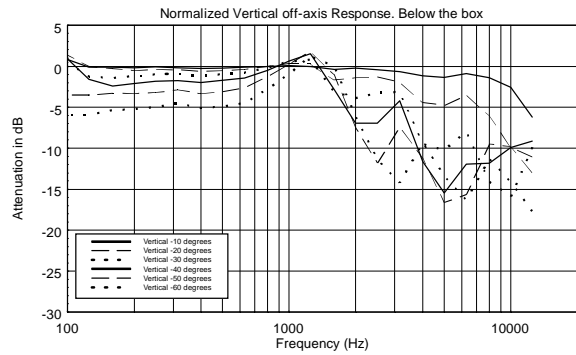
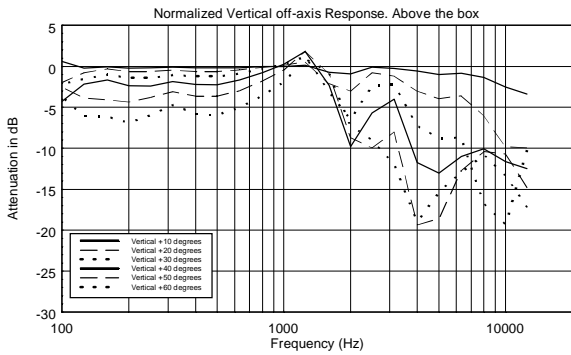
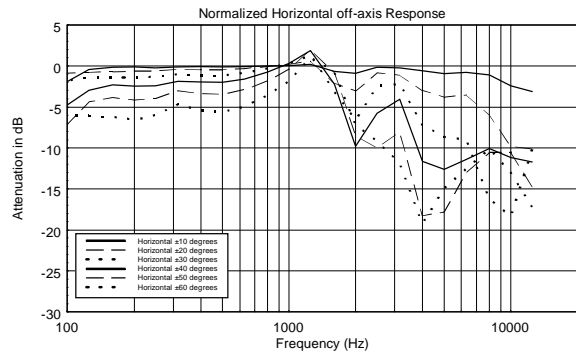
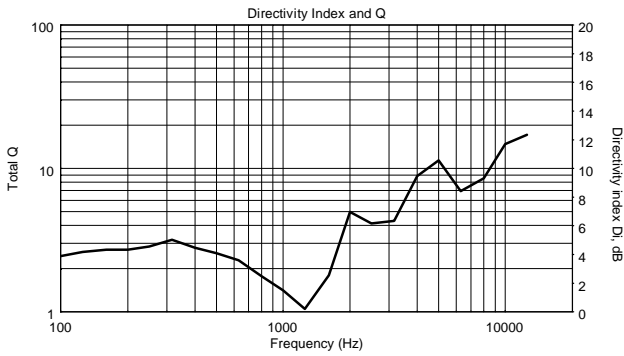
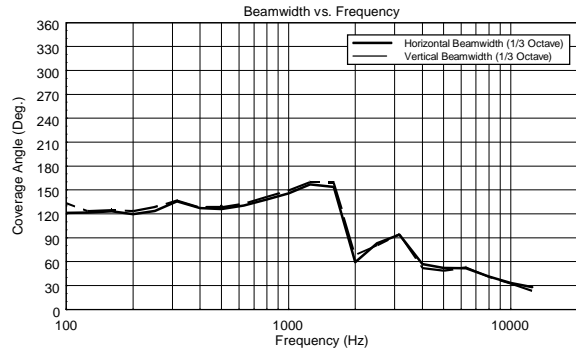
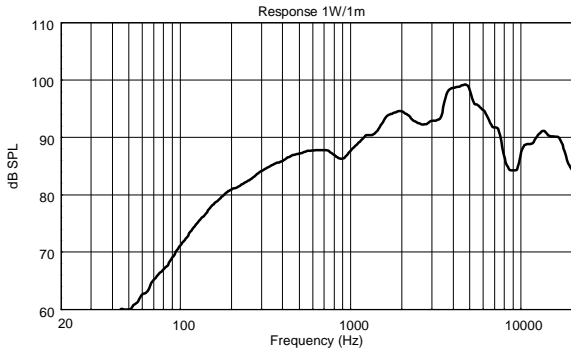
DRAWINGS

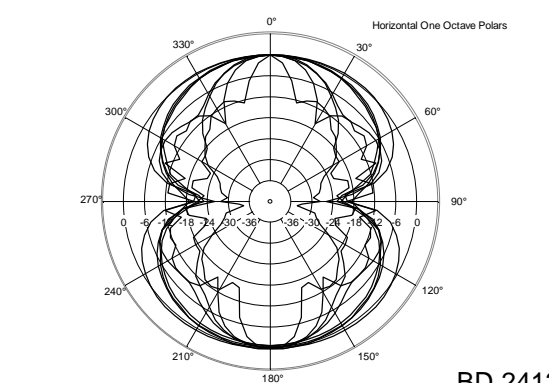
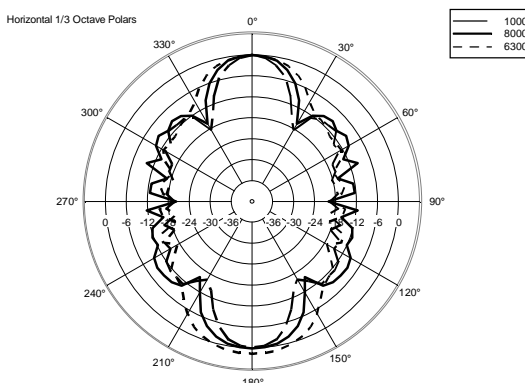
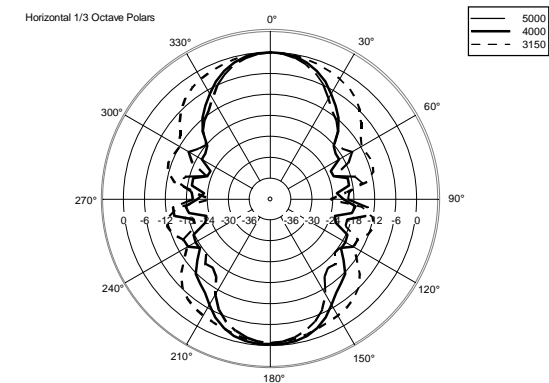
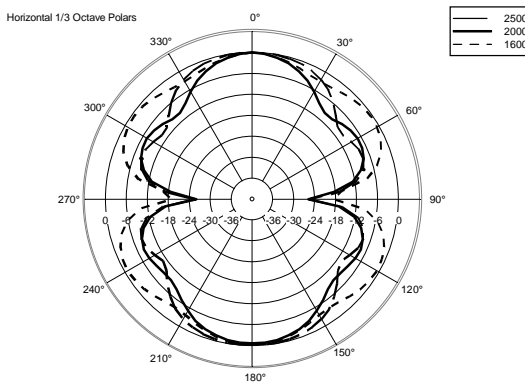
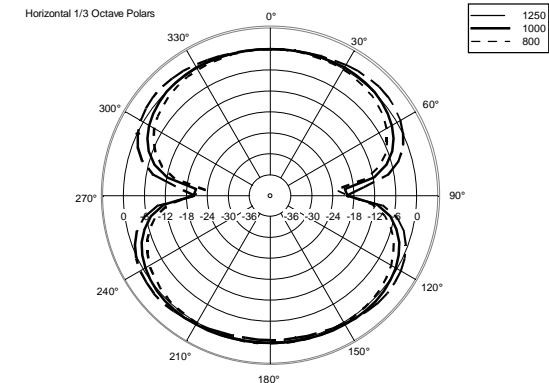
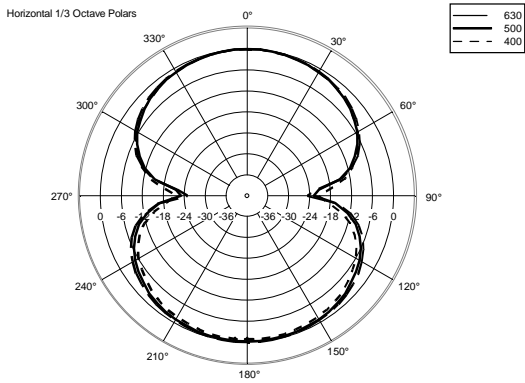
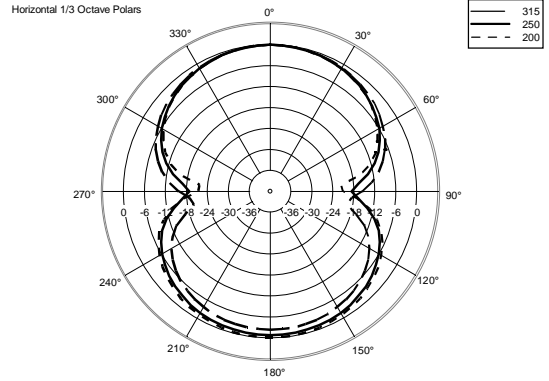
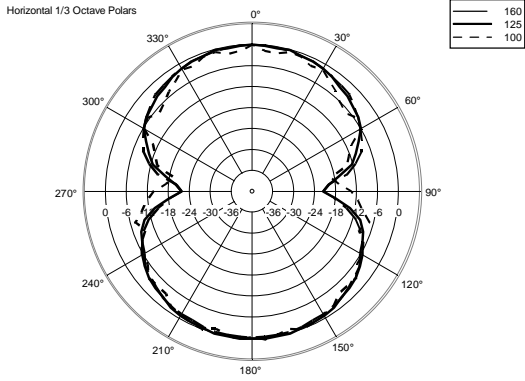


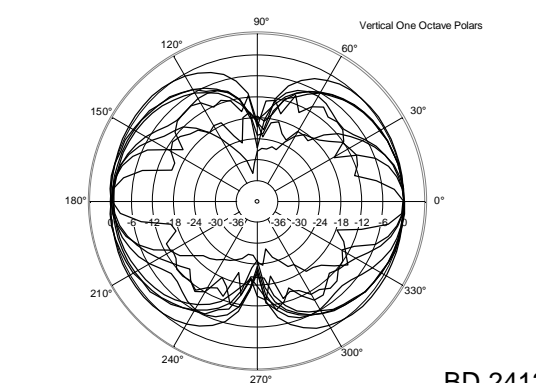
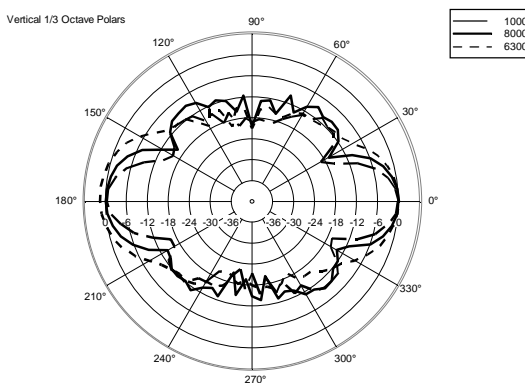
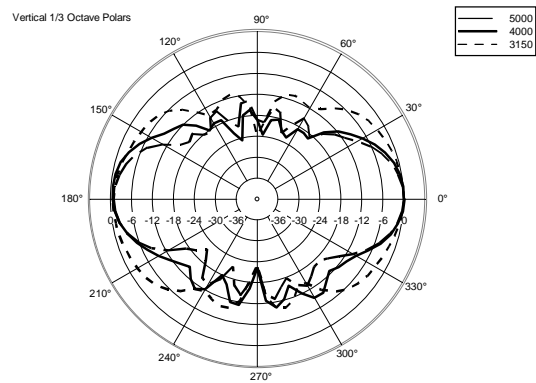
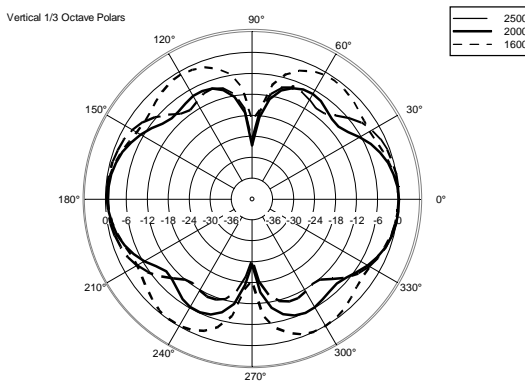
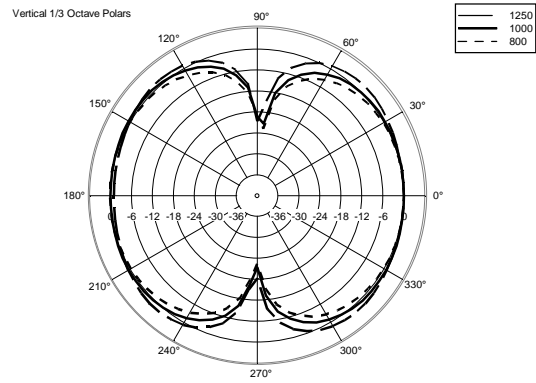
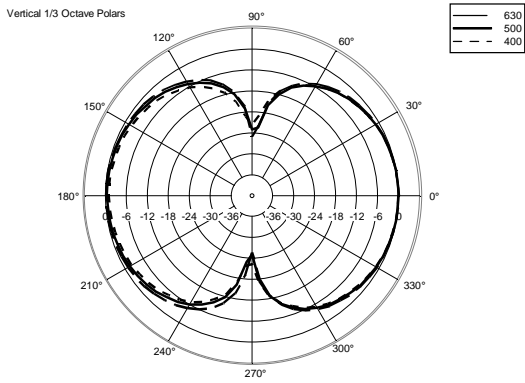
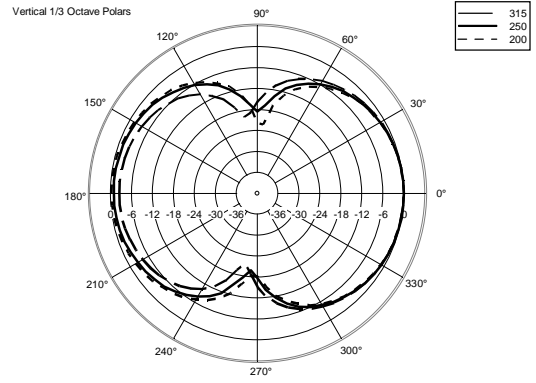
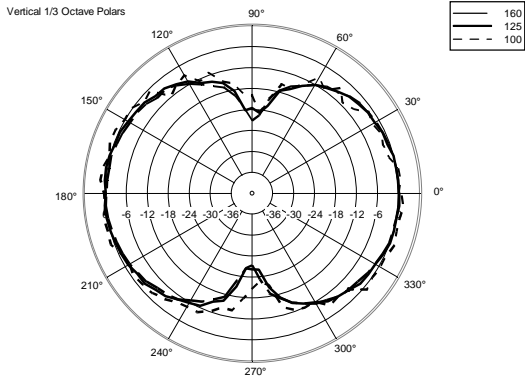
SCHEMATICS**EARTHING**

In the inner side of the mounting bracket, there is a screw (M3 x 6) to earth the loudspeaker with a suitable earth wire.











ACCESSORIES

A&E SPECIFICATIONS

The product shall be a weatherproof bidirectional sound projector suitable for broadcasting background music into commercial spaces, but also alarm messages, thanks to the highly intelligible voice reproduction and the EN 54-24 certification.

It shall have IP66 protection grade for both indoor and outdoor installations.

It shall feature aluminium cylindrical body, front grille and bracket support.

The terminal connection blocks, for input and output flameproof cables, shall be made of ceramic material. A thermal fuse shall protect the line integrity in case of heat affecting the speaker.

NOTES

NO CAUTION is NECESSARY in case of ALERTED PERSON for AUDIO voltages up to 120V, when warning symbols are present near the connection terminals. In the case of AUDIO voltages up to 71V, it is not even necessary to put warning symbols.

No need of linking to earth metal parts of speakers equipped with transformers and connected to 70.7 V / 100 V outputs of power amplifiers that do not have any reference to earth (ref. EN 62368-1 item 4.3.2.2), unless specific local requirements.
